



Catalogue 2025

NOVY

Welcome to Novy

For over 50 years, Novy has approached each project with the same goal: to combine quality, craftsmanship and design with the finest materials and expertise to bring silence to your kitchen. Creating enduringly beautiful appliances that perform day after day, year after year, all Novy products are supplied with a 2+3 years parts and labour warranty.

Enhanced by the trend for open plan living, extraction and surface cooking itself has become a defining feature of the modern kitchen. Novy provides subtle, elegant and high design statement products that always complement the architectural character of the space.

We believe a beautifully designed and crafted kitchen is a statement of quality and there is no better way to make a lasting impression than with Novy. Novy is for every kitchen where performance matters, whether your home is a rural retreat or modern city sleek.

5
YEARS
WARRANTY

5 years warranty



2 year manufacturer warranty and extra 3 year warranty after registration on www.novy.com/service/information/register-your-device. This covers all the costs of any repair (parts, call out fees and labour)

on Novy cooker hoods, worktop extractors, induction hobs, gas burners and design lighting. You do not need to sign a maintenance agreement or contract for this, all you have to do is register.

* The warranty period begins on the date of purchase (billing date). If no invoice can be presented, the date of production shall apply. You can find the full terms and conditions on www.novy.com

Novy, your kitchen's secret ingredient

02



ABOUT
NOVY

Cooker hood guidelines

24



COOKER
HOOD
GUIDELINES

Venting hobs

34



VENTING
HOBS

Ceiling units

80



CEILING
UNITS

Built-in cooker hoods for deep cabinets

126



BUILT-IN
COOKER
HOODS

Telescopic cooker hoods for shallow cabinets

144



TELESCOPIC
COOKER
HOODS

Wall-mounted cooker hoods

172



WALL-
MOUNTED
COOKER
HOODS

Island cooker hoods

192



ISLAND
COOKER
HOODS

Cooker hood accessories

220



COOKER
HOOD
ACCESSORIES

Hobs

232



HOBS

Designer lighting

262



DESIGNER
LIGHTING

Info

284



INFO

Welcome to the world of Novy

With a rich history and more than 110 years on the clock, Novy has since become a leading brand specialising in high-quality cooker hoods hobs and designer lighting for kitchens and living rooms.



NOVY

When 'good' is simply not enough and only 'the best' will do, Novy brings you advanced, whisper-quiet and efficient worktop extractors and fume hoods. Years of craftsmanship and persistent innovation are our absolute driving forces. From the beginning, the highest standards were set in terms of design, ease of use, durability and, of course, silence. We also offer an exclusive collection of designer lighting, equipped with pioneering and award-winning control technology and perfectly matched to our innovative worktop extractor.

Novy products exude quality and contemporary minimalism and are still developed and manufactured with extreme precision and according to strict quality standards at our facility in West Flanders, Belgium. Today, our products still stand for quality, craftsmanship and innovation. Several products have already won international awards such as Red Dot Award, iF Design Award, Kitchen Design Award, etc.

We are also proud to be part of the Middleby family. In addition to leading brands such as AGA, La Cornue, Rangemaster and Viking, Novy now also belongs to Middleby Residential, a division of The Middleby Corporation.

Middleby Residential

Middleby Corporation, a world leader in foodservice equipment, through its various brands and strategic acquisitions, has an extensive portfolio that includes not only residential kitchen equipment, but also commercial and industrial equipment for food preparation, processing, cooking and baking.

Middleby Residential targets the premium kitchen equipment market and offers a wide range of innovative, high-quality appliances for residential kitchens. Its products integrate advanced technology and design and target the premium segment of the market.

Some of Middleby Residential's brands include :

NOVY
Your kitchen's secret ingredient

VIKING

LA CORNUE

AGA

LYNX

U-LINE

MARVEL

KAMADOJOE

MASTERBUILT

Char-Griller

ēvo

Power, silence and connectivity.

We are the secret ingredient in your kitchen. The silent power of our expertise is incorporated in everything we make. Our cooker hoods and hobs are extremely silent in use and the lighting minimalistic in design, created to bring peace to the heart of your kitchen. Powerful too, built with an eye for precision and perfection. And designed so that you can comfortably cook, thanks to smart technology that lets your kitchen appliances communicate. Power, silence and connectivity. And all this behind the scenes.

Novy, your kitchen's secret ingredient



POWER

Power is driven by passion. As pioneers, we use this unadulterated energy to push our boundaries further and further. This will to improve, to continue to refine, is for us the basis of everything we create. Every cooker hood, hob and designer lighting is the result of avant-garde technology and years of craftsmanship. Because pure power is what drives us. And that's no different for our appliances.

Novy, your kitchen's secret ingredient

The power you feel but don't see

Performance is always our first goal. The constant question "Can it be done differently and better?" has led to the development of numerous innovations. Whether it's peripheral extraction, adjustable-height extraction, or automatic power regulation – all Novy range hoods are designed to be quieter than cooking sounds, where efficiency and ease of use are just as important. To achieve this, we combine powerful, highly efficient motors in an optimized casing. Whether you choose a classic exhaust system or the energy-saving recirculation version – unpleasant odors are reliably, quietly, and quickly removed from the kitchen.

- High-quality materials and workmanship
- Integrated motor or remote motor
- Innovative extraction
- Multi-layer grease filter
- Extraction or recirculation



Craftsmanship with a soul

Our strength lies in solid and well-considered work. In extremely silent, but high-performance motors. In technology, driving to the limit. In wanting to excel. In commitment. But also in our hands.

For us, craftsmanship is the starting point for delivering quality. We share this knowledge and form the connecting factor between pure design, a well-considered choice of sustainable materials and perfect execution. Our thinking is reflected in every cooker hood and hob developed and produced in Belgium.

Because that finesse is what turns cooking into an art.





SILENCE

Silence is what you need to achieve perfection. That's why, at best, there's a whisper in the wings, and why the finishing touch is added to the board with the utmost precision. It's also why our cooker hoods, hobs and design lighting are remarkably discreet, shrouded in minimalism and visual tranquillity. We make it our mission to make appliances that are ultra-quiet, without disturbing noise. The result is a design that is pure - nothing but the essence - and a cooker hood that is always quieter than what you cook.

Novy, your kitchen's secret ingredient

We bring silence to your kitchen

We bring peace to your kitchen, so you can put passion in your cooking. We polish our designs to pure lines that combine subtlety with performance. Discreet, silent and strong in their abstraction. Because for us, every detail is a consideration, every choice made to give you freedom.

We understand the power of subtlety. That is why our designs are resolutely geared towards a calm interplay of lines and an eye for detail. Sophisticated design leads the way, combined with comfort in every action.

Strikingly inconspicuous

Our cooker hoods are designed to be quieter than what you are cooking. We've developed an advanced noise reduction system and a double-walled base plate: optimised aerodynamics that reduce resistance. Therefore: less noise, less distraction and also energy efficient.

- Quiet motor
- Advanced silencing system
- Double-walled insulated base plate
- Ventilation tower with adjustable heights
- Recirculation or ducted to the outside
- Adjustable lighting



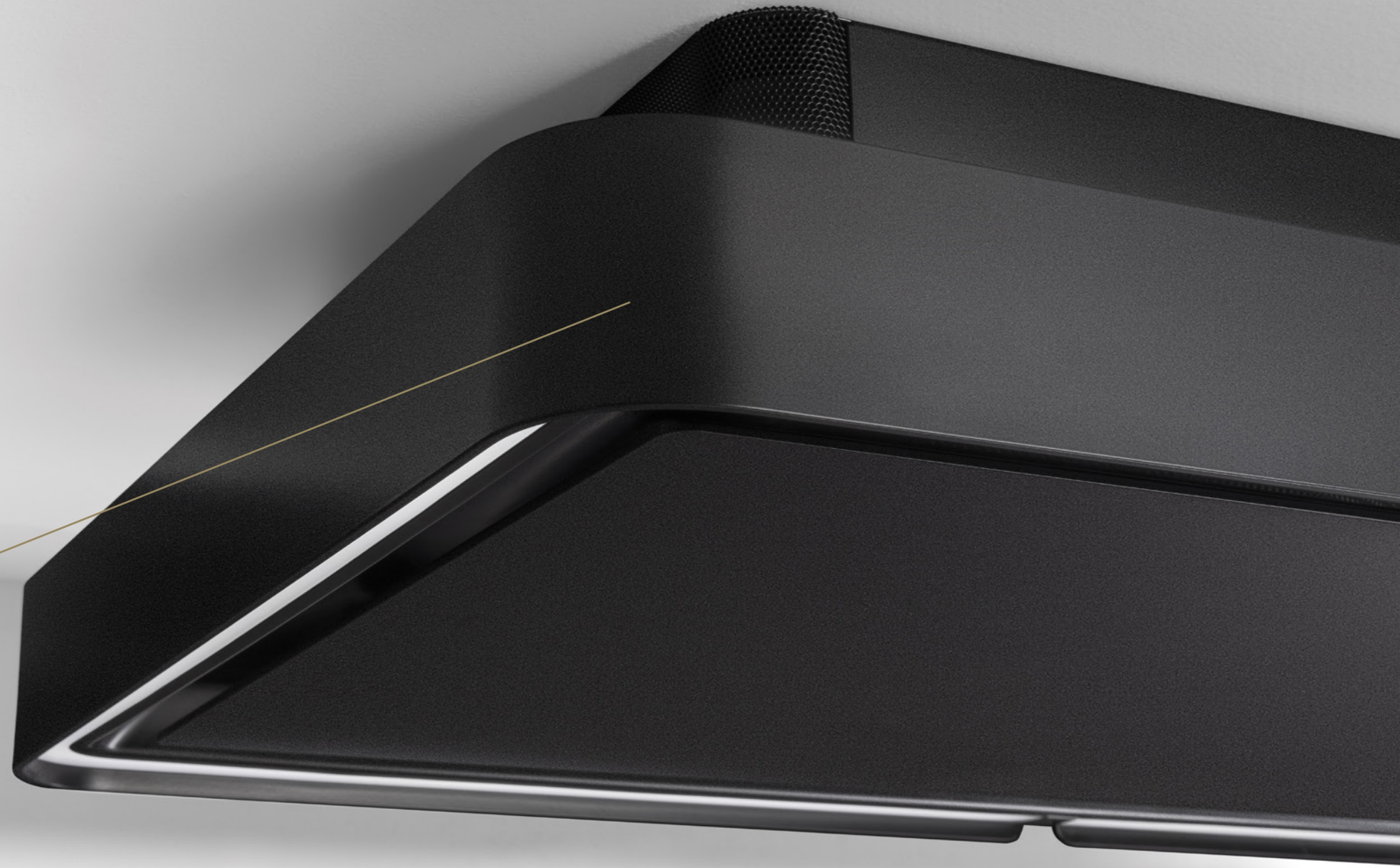
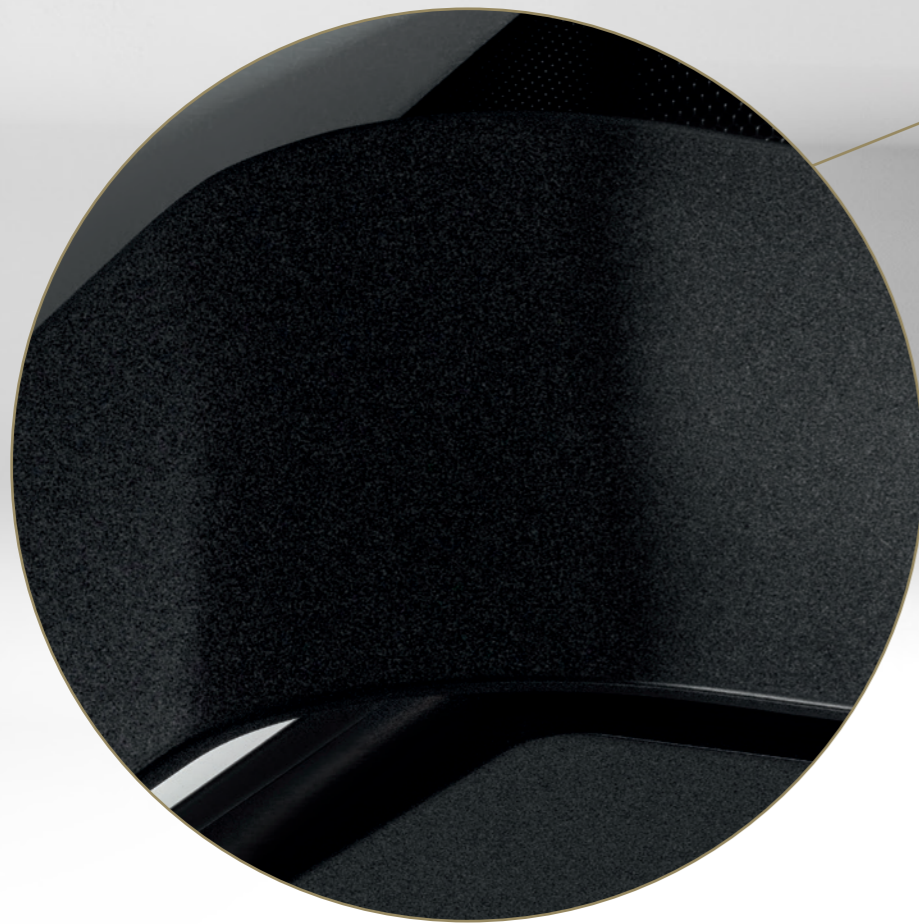
Visual perfection

Our desire for perfection translates into appliances that blend in seamlessly with their surroundings. We extend this visual tranquillity into every detail to create the timeless elegance.



MODERN DESIGN

Novy Mineral Black



Stylish design effect

Trends come and go in the kitchen, but black will always remain. However, not all black is the same. Mineral Black, a matte black that stands out because of its subtle structure.

Low-maintenance

Besides the aesthetic element, there is also a practical advantage. Thanks to its structure, Mineral Black is very easy to maintain and less sensitive to fingerprints.

The following devices are available in Mineral Black :

- **Novy Cloud**
- **Novy Pureline Pro (Compact)**
- **Novy Pureline Compact**
- **Novy Mini Pureline**
- **Novy Flatline wall-mounted and island**
- **Novy Pureline Frame**
- **Novy Phantom**
- **Novy Mood**
- **Exhaust boxes**
- **Designer lighting**



CONNECT

Intuition is the guiding principle in the kitchen. Our smart technology is designed to let you cook comfortably and to follow your own intuition. By simplifying your life, we give you the freedom to create, to improvise. That's why we continue to refine our technology so that your cooking becomes an experience, a combination of elegance and delicacy. For us, it's all about connection: between people, but also between the cooker hood and hob. Because working together is simply stronger.

Novy, your kitchen's secret ingredient

Connect in a snap

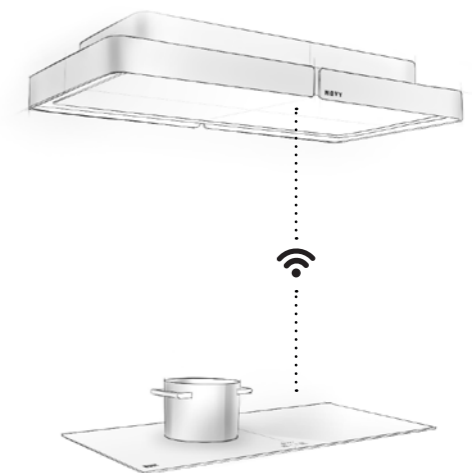
Our smart features let you become one with your kitchen. Thanks to innovative technology, your pots and pans no longer boil over. Moreover, they always stay at the right temperature, even when you move them. And now you're even alerted when your filters need maintenance so you can continue to enjoy optimum performance. That's how Novy becomes the secret ingredient in your kitchen: a smart tool that makes cooking easier for you.

Intuitively operated

As a specialist, we've developed a new generation of cooker hoods and hobs. Efficient and designed with the desire to take your cooking to the next level. Above all, it's intuitive, so every command is at your fingertips. How do we make it happen? With the InTouch technology and the Novy Connect App.

The **InTouch technology** allows you to operate the cooker hood from your induction hob. All functions are at your fingertips: handy, simple and intuitive. Moreover, there is no need for extra cabling.

In the **Novy Connect App**, the communication between cooker hood, hob and yourself gets more depth. You can easily adjust the settings regarding extraction and lighting according to your own wishes and needs. Those settings can be saved so that your cooker hood can work in a completely personalised way. What's more, you are guided through the maintenance of the various filters.



Connectivity matters to us:
between people around the
cooking island, and between the
cooker hood and the hob.

Video
With Novy, you can enjoy the ultimate cooking
experience thanks to the Novy Connect technology.



Pure technology

Using technology to make your life easier, that's our goal. That's why we develop practical applications that immediately improve the quality of your cooking experience. Smart technology knows when you put a pot on the hob, and even when you move it.

Temperature settings ensure that the water does not boil over. This way, cooking becomes pure intuition, a mix of creativity and freedom.

Our recirculation systems are as durable as they are effective. They eliminate the strongest odours from your kitchen without extracting hot air to the outside. This allows you to recover heat and save energy. And it doesn't stop there, a hood with recirculation provides greater flexibility and is easier to install.


- **Intuitive operation**
- **Combined smart technology**
- **Convenient flex zones**
- **Pot Move function**
- **InTouch technology**
- **Pleasant indoor climate**

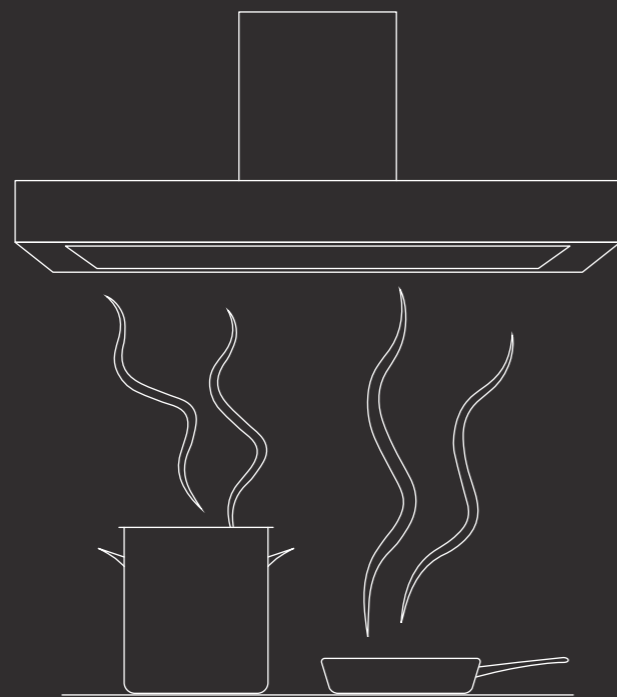


Cooker hood guidelines

The best extraction solution for your kitchen often depends on the architecture of the property you live in, and the style of cooker hood that suits you and your requirements. The following step-by-step plan will help you select the correct kitchen ventilation solution for you.

Step 1 How wide should your cooker hood be?

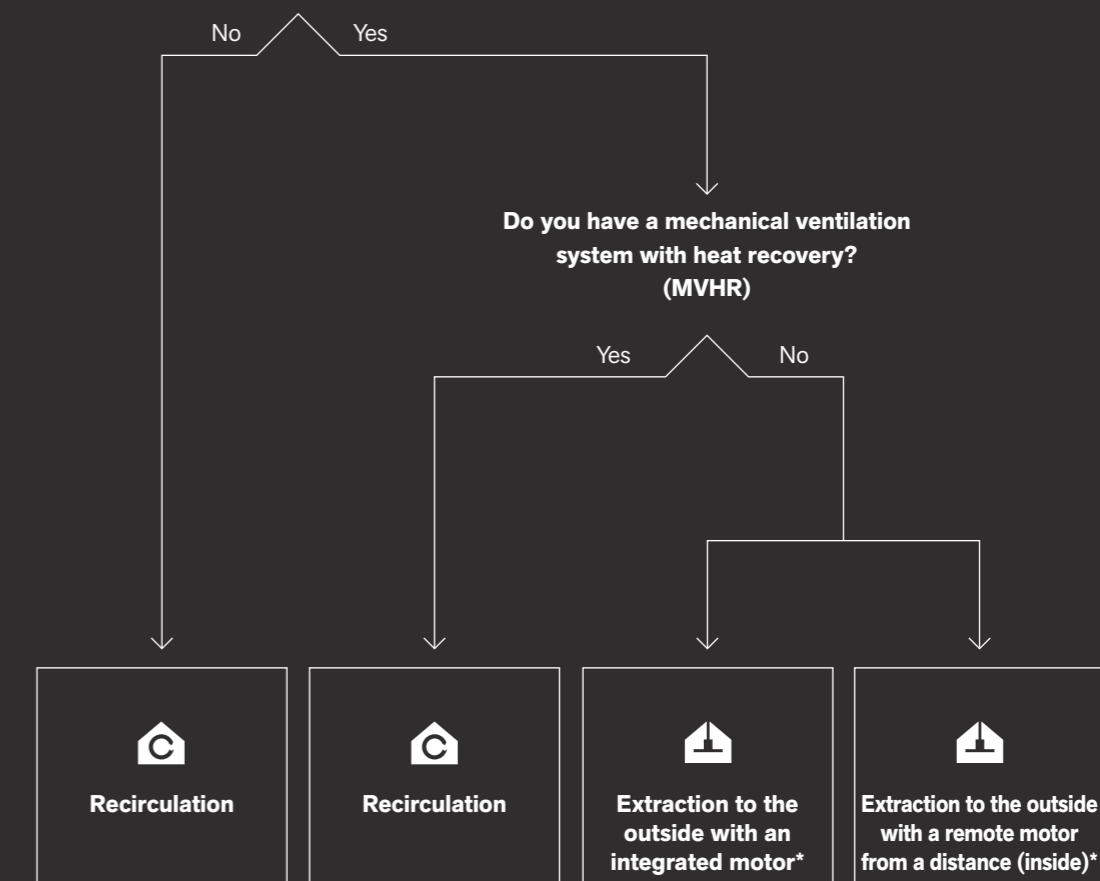
Cooking vapours do not rise straight up, but at an angle between 10 and 15 degrees. For proper operation, the cooker hood must be at least the full width of the hob. For an island arrangement, choose a wider model for efficient extraction. The maximum height of your cooker hood also plays a role. These can be found via the symbol  on the product pages.



Step 2 Extraction to the outside or recirculation?

The choice between extraction to the outside or recirculation depends on the architecture of your property, your wishes and possibilities. It has a major impact on the installation of the kitchen.

Is extraction to the outside (via the roof or facade) possible?



Extraction to the outside is the best solution, but recirculation is an option provided there is sufficient ventilation (to be provided by the customer).

A remote motor enables a limited built-in height for the Pureline and Mini Pureline.

* No outlet without an inlet

A cooker hood works optimally when the extracted air is replaced with fresh air. An insufficient air inlet leads to a loss of efficiency. It is therefore best to provide a sufficient air inlet (via a window extractor, an open door or window, or from another room).



Step 3

Where should you place the cooker hood?

How wide is your hob?



In the worktop



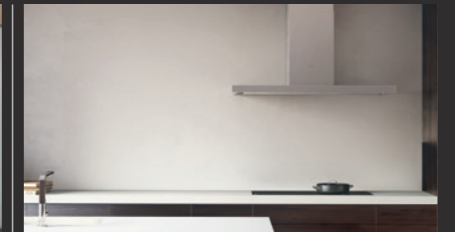
Above a cooking island



Integrated in a ceiling or recess



Telescopic built-in or under the cabinet



Wall-mounted with a decorative cooker hood

65 cm

Venting hobs, see p. 34
Novy Easy 65

Select a cooker hood of at least 90 cm

Ceiling units, see p. 80
Novy Cloud
Novy Maxi Pureline
Novy Pureline (Pro) (Compact)
Island cooker hoods, see p. 192
Novy Phantom Frame & Cable
Novy Pureline Frame
Novy Mood
Novy Flatline

Select a cooker hood of at least 60 cm

Ceiling units, see p. 80
Novy Pureline Pro (Compact)
Novy Pureline (Compact)
Built-in cooker hoods, see p. 126
Novy Mini Pureline
Novy Crystal
Novy Canopy Essence

Select a cooker hood of at least 60 cm

Telescopic cooker hoods, see p. 144
Novy Fusion
Novy Fusion Pro
Novy Telescopic stainless steel
Novy Telescopic Essence

Select a cooker hood of at least 75 cm

Wall-mounted cooker hoods, see p. 172
Novy Vision
Novy Flatline
Novy Salsa

80 cm

Venting hobs, see p. 34
Novy Easy 80

Select a cooker hood of at least 90 cm

Ceiling units, see p. 80
Novy Cloud
Novy Maxi Pureline
Novy Pureline (Pro) (Compact)
Island cooker hoods, see p. 192
Novy Phantom Frame & Cable
Novy Pureline Frame
Novy Mood
Novy Flatline

Select a cooker hood of at least 90 cm

Ceiling units, see p. 80
Novy Pureline Pro (Compact)
Novy Pureline (Compact)
Built-in cooker hoods, see p. 126
Novy Mini Pureline
Novy Crystal
Novy Canopy Essence

Select a cooker hood of at least 90 cm

Telescopic cooker hoods, see p. 144
Novy Fusion
Novy Fusion Pro
Novy Telescopic stainless steel
Novy Telescopic Essence

Select a cooker hood of at least 90 cm

Wall-mounted cooker hoods, see p. 172
Novy Vision
Novy Flatline
Novy Salsa

90 cm

Venting hobs, see p. 34
Novy Easy 90 Prestige
Novy Panorama 90
Novy Up

Select a cooker hood of at least 100 cm

Ceiling units, see p. 80
Novy Cloud
Novy Maxi Pureline
Novy Pureline (Pro) (Compact)
Island cooker hoods, see p. 192
Novy Phantom Frame & Cable
Novy Pureline Frame
Novy Mood
Novy Flatline

Select a cooker hood of at least 100 cm

Ceiling units, see p. 80
Novy Pureline Pro (Compact)
Novy Pureline (Compact)
Built-in cooker hoods, see p. 126
Novy Mini Pureline
Novy Crystal
Novy Canopy Essence

Select a cooker hood of at least 90 cm

Telescopic cooker hoods, see p. 144
Novy Fusion
Novy Fusion Pro
Novy Telescopic stainless steel
Novy Telescopic Essence

Select a cooker hood of at least 90 cm

Wall-mounted cooker hoods, see p. 172
Novy Vision
Novy Flatline
Novy Salsa

100 cm

Select a cooker hood of at least 120 cm

Ceiling units, see p. 80
Novy Maxi Pureline
Novy Pureline (Pro) (Compact)
Island cooker hoods, see p. 192
Novy Phantom Frame & Cable
Novy Pureline Frame
Novy Flatline

Select a cooker hood of at least 120 cm

Ceiling units, see p. 80
Novy Pureline Pro (Compact)
Novy Pureline (Compact)

Select a cooker hood of at least 100 cm

Telescopic cooker hoods, see p. 144
Novy Fusion Pro

Select a cooker hood of at least 120 cm

Wall-mounted cooker hoods, see p. 172
Novy Vision
Novy Flatline

≤ 120 cm

Venting hobs, see p. 34
Novy Panorama 120

Select a cooker hood of at least 150 cm

Ceiling units, see p. 80
Novy Maxi Pureline

Select a cooker hood of at least 150 cm

Ceiling units, see p. 80
Novy Maxi Pureline

Select a cooker hood of at least 120 cm

Telescopic cooker hoods, see p. 144
Novy Fusion Pro

Select a cooker hood of at least 120 cm

Wall-mounted cooker hoods, see p. 172
Novy Vision
Novy Flatline

COOKER HOOD NOVY

Silent power in the kitchen



The best cooker hood is one that does not attract unnecessary attention. Its inconspicuousness is what turns it into a small secret. Cleanly designed, quiet, and technologically advanced. Tranquillity itself.

- Silent motor
- Extensive soundproofing
- Purified indoor air

Progressive design

The ultimate package for the best results. That's the Novy cooker hood. Its high-performance technology ensures efficient extraction of cooking fumes and odours. The motor is also equipped with a sound-absorbing system and the finish is the highest quality. Most of all, the design is discreet and beautiful.

Smart functions



InTouch

Operate your cooker hood from your hob with wireless RF communication.

Variable lighting

Customise the lighting: vary between warm and cold tones and dim when you want. The soft on/off button gradually turns the light on or off.

A rule of thumb for a good ducting

Ducting is crucial for the functioning of a cooker hood with outward air extraction, and in some cases, with recirculation too. The key to optimum efficiency and silent operation is choosing the right materials.

Here are a few points to consider

Short and powerful

A cooker hood loses suction capacity with each additional metre of ducting. That is why you should keep the ducting as short as possible. Generally speaking, flat channel ducting should be no more than 13 metres long and have a diameter of 150 mm. In addition, each 90-degree bend in the ducting is equivalent to an extra 3 metres of ducting, and each 45-degree bend is equivalent to an extra 2 metres.

Example 1:

If a 90° bend and a 45° bend are used, the straight exhaust duct may be a maximum of 8 metres long ($13-3-2=8$)



Maximum 13 metres



90° bend: minus 3 metres



45° bend: minus 2 metres

Example 2 (Drawing see p. 31):

If two 90° bends are integrated into the exhaust duct, the straight duct may be max. 7 metres long ($13-3-3=7$)



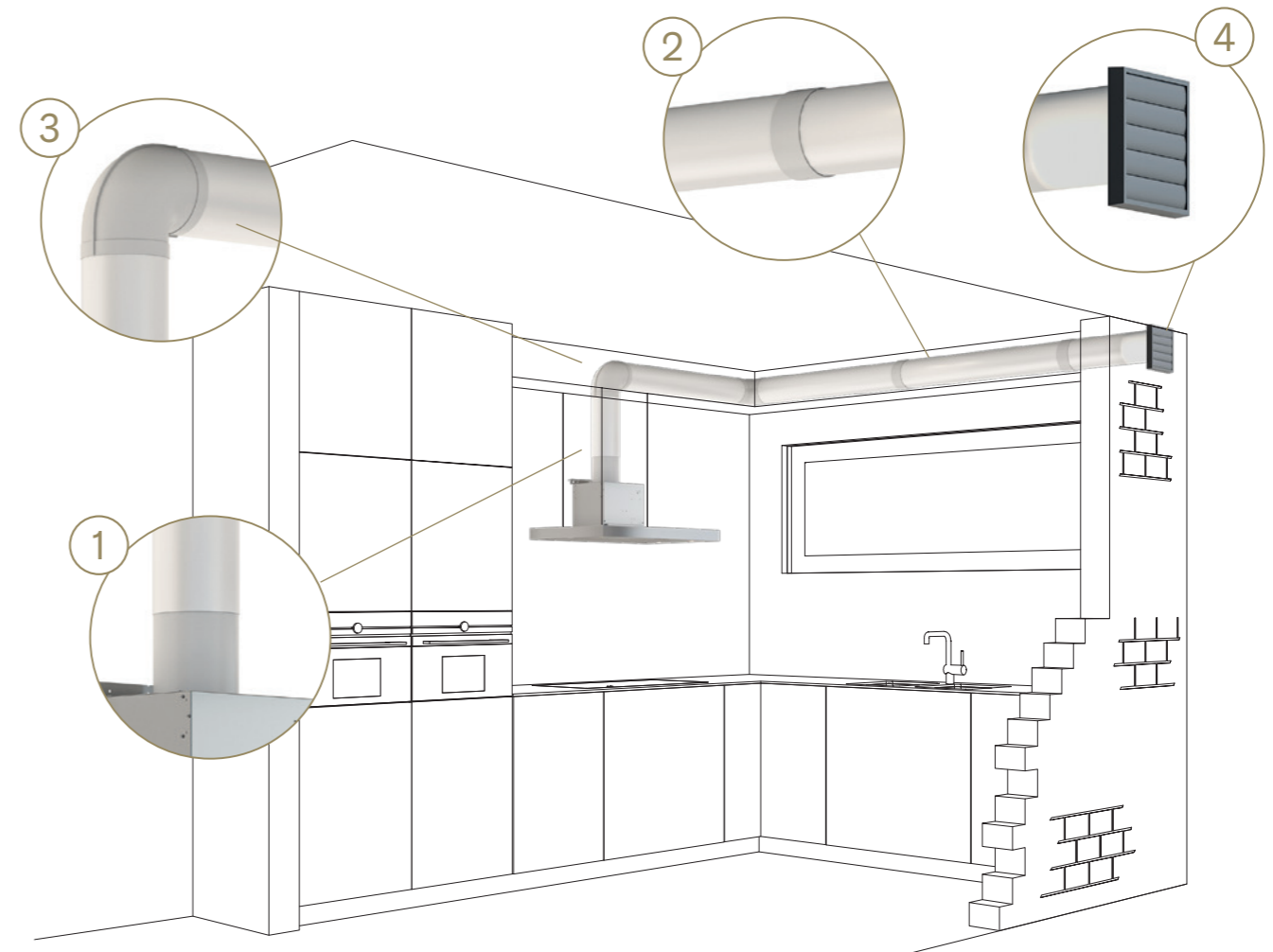
Maximum 13 metres



90° bend: minus 3 metres



90° bend: minus 3 metres



The perfect diameter

The ducting should have the same diameter as the connection on the cooker hood. You should limit the use and length of flexible ducting hoses as far as possible and extend hoses as far as possible. (1)

Absolutely airtight

Tape or a hose clamp are the perfect tools for making ducting completely airtight. (2)

Good air conduction

Corners or bends in ducting impact the conduction of air. Rounded bends promote good air conduction whereas squared-off bends have the opposite effect. (3)

An external wall grille is essential

An external grille that allows sufficient air to pass through promotes optimum air conduction. It also means the cooker hood is silent and efficient. (4)

Ensure an adequate supply of air

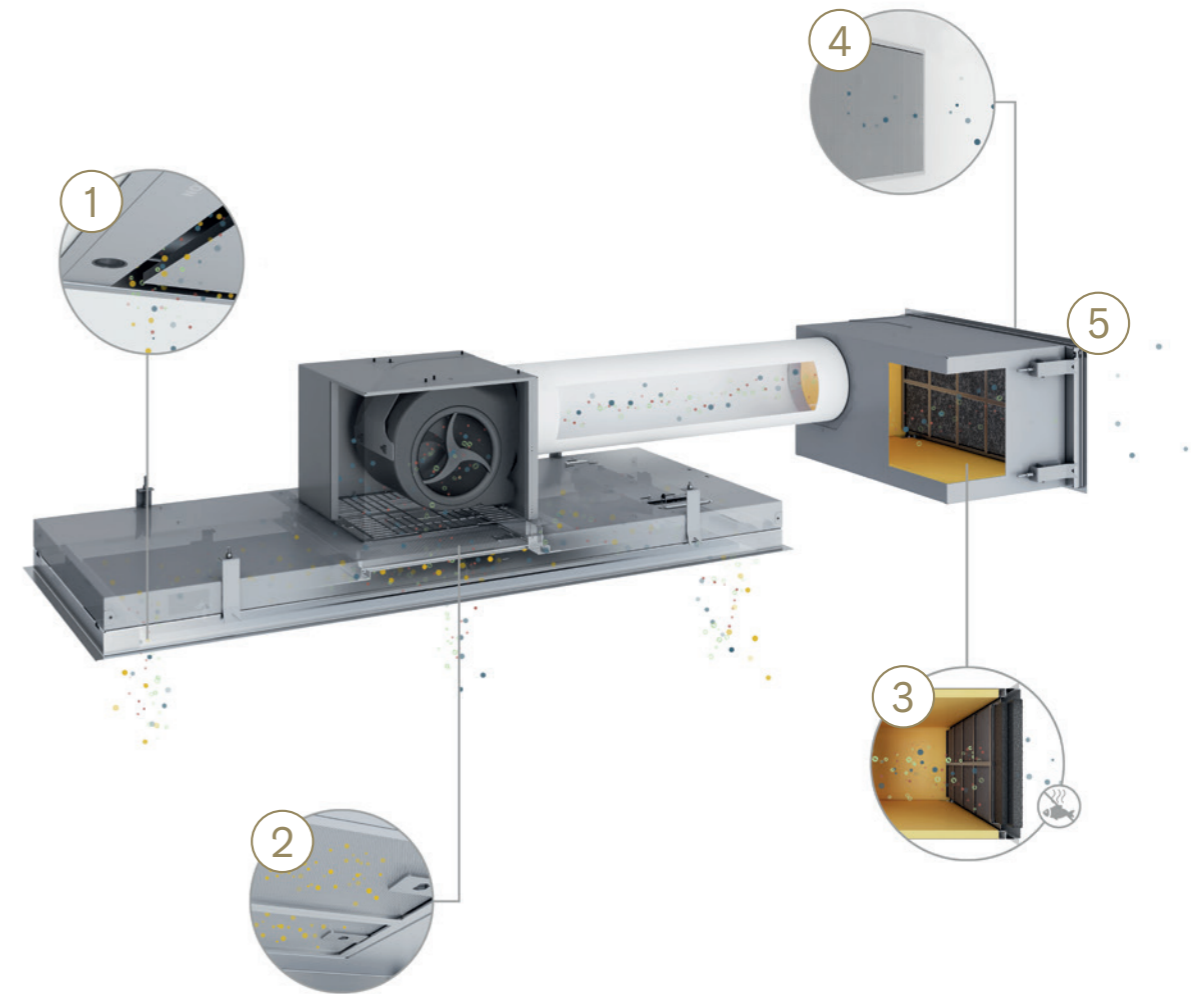
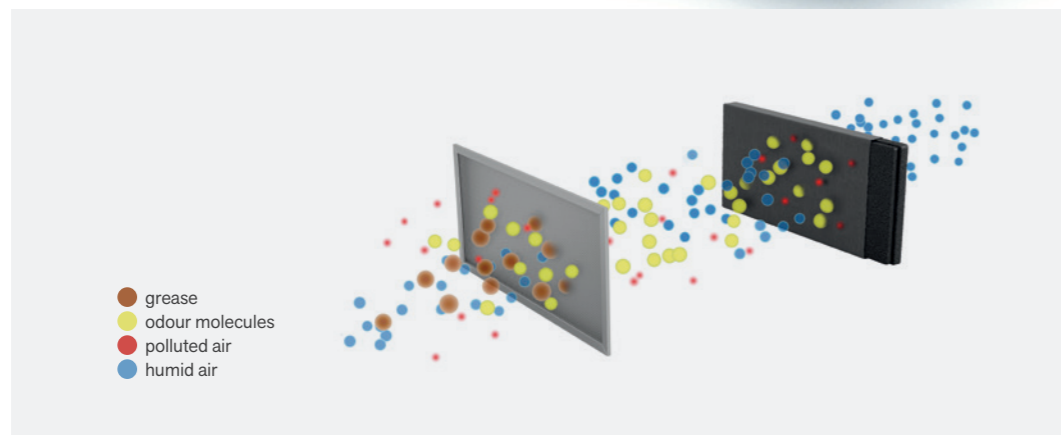
Whether the kitchen is compact or spacious, the quantity of air extracted can never be greater than the quantity of air supplied. In other words, if you do not have an adequate supply of air, the cooker hood will work less efficiently even when it is recirculating air.

Pure kitchen air

Our **Novy Pure 3.0** technology ensures a pleasant indoor climate. You can count on effective recirculation that keeps even the strongest odours out of your kitchen, without unnecessarily extracting warm, purified air to the outside.

Easy maintenance

Under normal cooking conditions, the carbon filter must be replaced after 3-5 years or 450/900 hours of cooking (depending on the models). This makes the replacement cost minimal compared to other systems.



1 → **2** → **3**

Cooking vapours are immediately extracted thanks to the **high-performing, silent motor**.

The efficient **multilayer grease filter** captures all the grease particles that are released during cooking.

The carbon particles in the **monoblock filter** have a natural coating, exclusively made by Novy. This neutralises the strongest odours - even fish - from 95% up to 100%.

4 → **5**

The **closed, sound-absorbing airflow system** accompanies the hot cooking fumes and prevents moisture from accumulating in the ceiling or cabinet.

The purified hot air is reintroduced into the kitchen, which guarantees **perfect recirculation** and heat recovery.

Video
Why choose Novy Pure recirculation technology?



Venting hobs

Novy Panorama 90 **Novy Panorama 120**



Novy Easy 65 **Novy Easy 80**



Novy Easy 90 Prestige



Novy Up



Cooking profile

Use						
-----	--	--	--	--	--	--

Width (incl. hob) (cm)

Dimensions	88	118	65	80	90	49 (incl. 1 Domino hob) 87 (incl. 2 Domino hobs) 136 (incl. 3 Domino hobs) 174 (incl. 4 Domino hobs)
------------	----	-----	----	----	----	---

Number of cooking zones

2						
3						
4						
5						
6						
8						

Adjustable height of the extraction tower (cm)

Height	Freely adjustable (10 - 30)	Freely adjustable (10 - 30)	0	0	0	0 / 10
--------	-----------------------------	-----------------------------	---	---	---	--------

p. 38

p. 44

p. 50

p. 56

p. 64

p. 72

Normal use, basic cooking functions, casseroles/low pots/high pots with lids

Normal use, extensive cooking functions, casseroles/low pots and high pots with lids

Intensive use, extensive cooking functions, casseroles/low pots/high pots

NOVY DOWNDRAFT EXTRACTION

Opting for freedom of movement

Space in the kitchen is a luxury. Imagine that you can make optimum use of every surface, without disturbing visual elements. Our worktop extraction system rises to capture fumes immediately at the source, and is concealed back within the surface after use. For those who appreciate both refinement and efficiency.

- Extraction at the source with adjustable heights
- Recirculation or ducted to the outside
- Visually incorporated

Specialised ventilation tower

The most effective way to capture odours and fumes is to catch them directly as they arise. A ventilation tower with an adjustable height is our advanced solution, so that cooking vapours are extracted at source – directly next to the pans.

Recirculation or extraction to the outside

There are two options for extracting fumes and odours: a traditional outlet ducted to the outside or recirculation of the purified air.

The latter option is ideal for energy-efficient homes, or in kitchens where it is not possible to extract the air outside. The built-in recirculation box is equipped with a monoblock filter. This slows down the airflow, which ensures the maximum time for unpleasant odours to be absorbed.



Novy Panorama 90

- Direct extraction at source, thanks to the adjustable height: 10, 20 and 30 cm. The height can be adjusted during cooking
- Height of the tower can be freely adjusted via the Novy Connect app or the control on the hob
- Preset extraction function
- Semi-transparent extraction tower disappears invisibly into the hob
- 3 or 4 cooking zones + bridging functions
- Unique and elegant design
- Easy to maintain
- Surface and flush installation possible
- Recirculation optional: carbon filter with a life span of up to 900 cooking hours



Tower exhaust system
Optimal extraction at the height of the pots



Flexzone
Automatic or manual bridge function of 2 cooking zones.



Recirculation
Recirculation is optional.



Novy Connect
Operation and settings possible via smartphone or tablet.



1821



	Outside dimensions (WxD) (cm)	Number of zones	Cooking zones (mm)	Cooking zones output (W)	Max. output (W)	Ref.
Venting induction hob Pro	88x52	4	4 x 200x240	4 x 3700	7400	1821
Venting induction hob Power	88x52	3	Ø280, 2 x 200x240	2 x 3000, 1 x 1850	6700	1831
Venting induction hob Power	88x52	4	Ø185, Ø210, 2 x 200x240	1 x 1400, 2 x 3000, 1 x 1850	7400	1841

	Motor	Colour	Width (cm)	EEI	Maximum flow rate (m³/h)	Sound level during normal use in dB(A) (re 1 pW)	
						Minimum	Maximum
Extraction	Integrated	Black	81	B	691	37	57

Noise levels measured in accordance with IEC 60704-2-13 standards, flow rates according to IEC 61591.

Video
Novy Panorama 90



Technical specifications

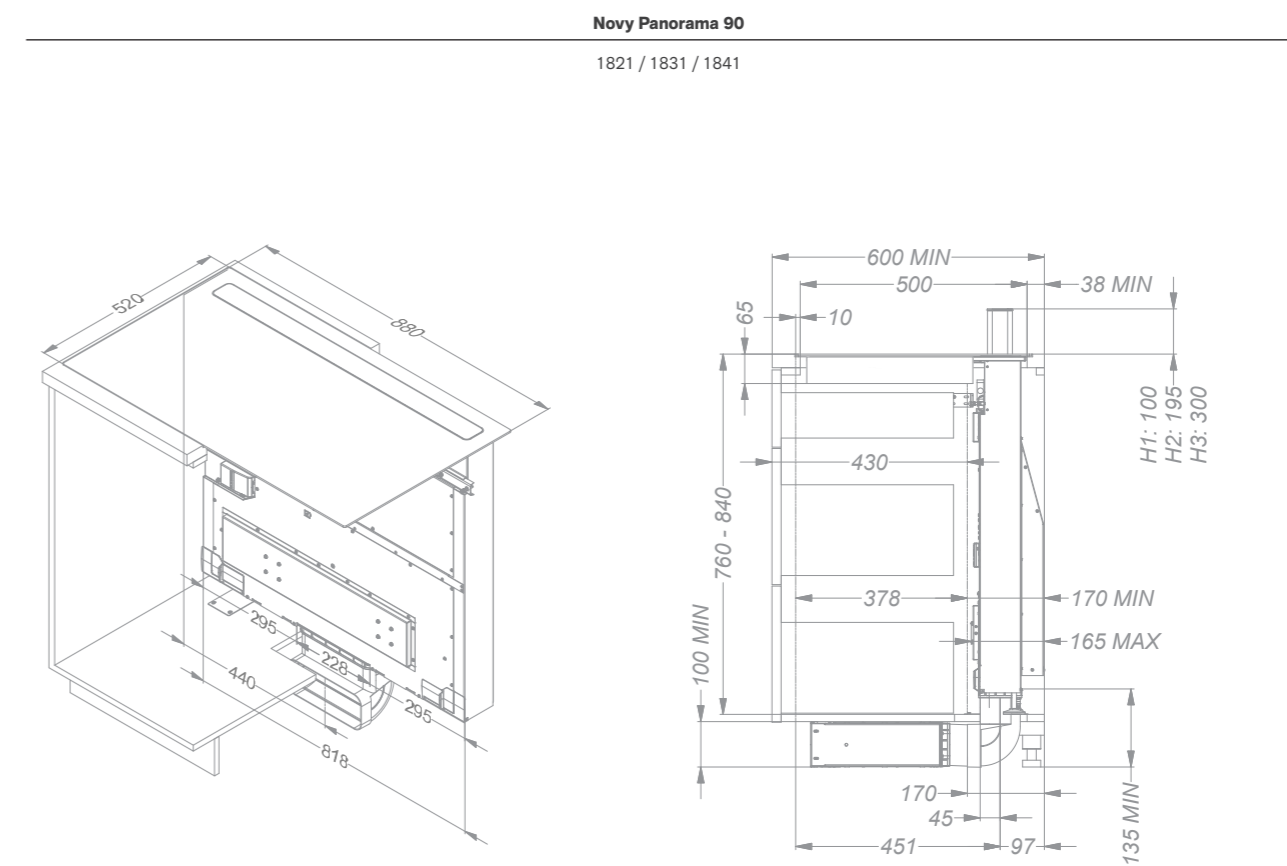
	Novy Panorama 90 1821	Novy Panorama 90 1831	Novy Panorama 90 1841
Controls			
Type of controls hob	Slider touch control	Touch control	Touch control
Type of controls cooker hood	Slider touch control / Novy Connect	Touch control / Novy Connect	Touch control / Novy Connect
Control Colour	White	Red	Red
Glass built-in / Finish			
Finish	Round border	Round border	Round border
Surface / Flush	• / •	• / •	• / •
Black opaque glass	•	•	•
Induction hob functions			
Number of power levels	9 + Power + Super Power	9 + Power	9 + Power
Automatic pot detection	•		
Flexzones	• (2x)	• (1x)	• (1x)
Automatic bridge function Flexzone	•		
Manual bridge function Flexzone	•	•	•
Stop & Go	•		
Safety lock hob	•	•	•
Timer on each zone	•	•	•
Count-up timer	•	•	•
Automatic cooking	•		
Keep-warm function (°C)	42°, 70° and 94°		
Grill function	•		
Cooking zones			
Cooking zone 1	Left	Left	Left
Dimensions (mm) / Power (Boost) W	200×240 / 2100 (3700)	Ø 280 / 2300 (3000)	Ø 185 / 1100 (1400)
Cooking zone 2	Left central	Central	Left central
Dimensions (mm) / Power (Boost) W	200×240 / 2100 (3700)	200×240 / 2100 (3000)	Ø 210 / 2300 (3000)
Cooking zone 3	Right central	Right	Right central
Dimensions (mm) / Power (Boost) W	200×240 / 2100 (3700)	200×240 / 1600 (1850)	200×240 / 2100 (3000)
Cooking zone 4	Right		Right
Dimensions (mm) / Power (Boost) W	200×240 / 2100 (3700)		200×240 / 1600 (1850)
Cooker hood functions			
Preset extraction function	•	•	•
Manual suction function	•	•	•
Number of speed settings	5+ 3 intensive	5+ 3 intensive	5+ 3 intensive
Run-on timer (min.)	10-30 (default setting)	10-30 (default setting)	10-30 (default setting)
Cleaning indicator for grease filter	•	•	•
Cleaning indicator for recirculation filter	•	•	•
Safety lock cooker hood	•	•	•
Extraction height tower (cm)	10, 20, 30	10, 20, 30	10, 20, 30
Extraction height tower freely adjustable	•	•	•
Collection container for cleaning	2 up, 2 downwards	2 up, 2 downwards	2 up, 2 downwards
Dimensions (mm)			
Dimensions device (W×D×H)	880×520×65	880×520×65	880×520×65
Dimensions cooker hood (W×D×H)	818×165×760-840	818×165×760-840	818×165×760-840
Exhaust opening diameter	89×222	89×222	89×222
Exhaust position	Central under (rear/front)	Central under (rear/front)	Central under (rear/front)
Opening	See p. 260-261	See p. 260-261	See p. 260-261
Technical characteristics			
Integrated motor	•	•	•
Weight cooker hood / motor casing (kg)	50.1	50.1	50.1
Electrical connection value cooker hood (W)	250	250	250
Electrical connection value induction hob (W)	7400	6700	7400
Supply voltage	2 power supplies	2 power supplies	2 power supplies
Cooker hood	230 V	230 V	230 V
Induction hob	230 V / 400 V - 1N / 2N	230 V / 400 V - 1N / 2N	230 V / 400 V - 1N / 2N

Air quantity and sound level

Type	Maximum free flow rate (m³/h)	Air quantity (m³/h) / pressure (Pa)			Noise level dB(A) sound pressure (re20µPa) / sound power (re 1pW)		
		Minimum	Continuous	Power setting	Minimum	Continuous	Power setting
1821 Integrated motor	1160	193 / 40	475 / 204	691 / 443	27 / 37	46 / 57	56 / 65
1831 Integrated motor	1160	193 / 40	475 / 204	691 / 443	27 / 37	46 / 57	56 / 65
1841 Integrated motor	1160	193 / 40	475 / 204	691 / 443	27 / 37	46 / 57	56 / 65

Noise levels measured in accordance with IEC 60704-2-13 standards, flow rates according to IEC 61591.

Technical drawing



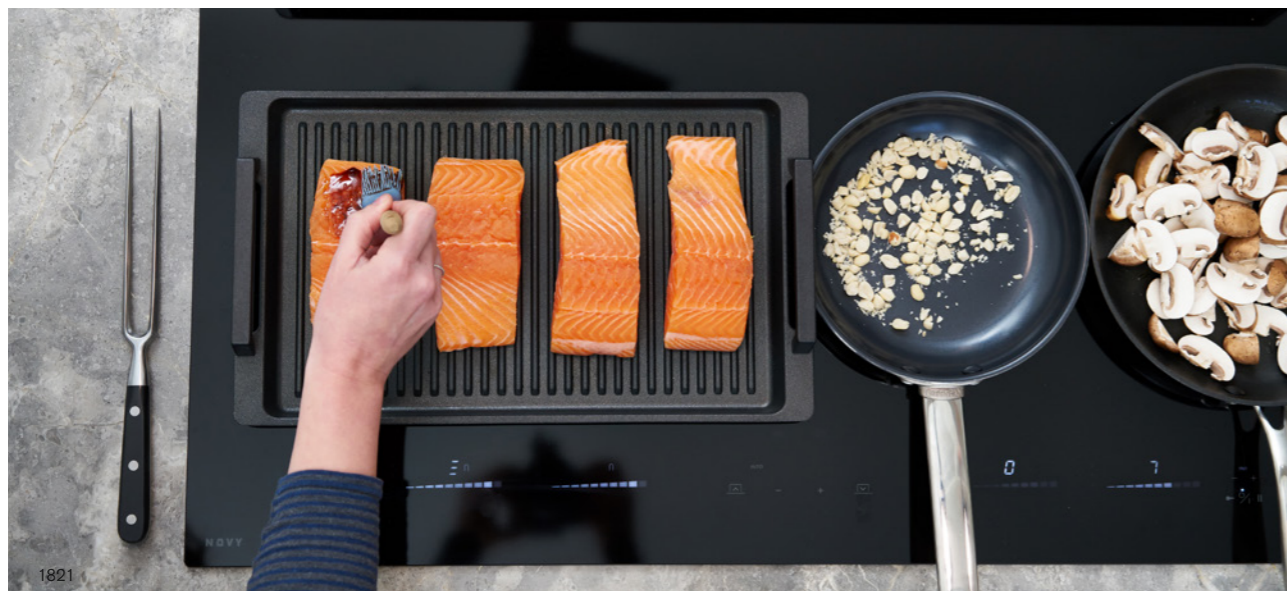
Comment
Built-in lower cabinet from 90 cm without post and with removable back plate.
If the cabinet height is less than 76cm, always order the installation kit for cabinet with article number: 1821.400.

Video
Installation video



Accessories

	Reference	1821	1831	1841
Miscellaneous				
Grease filter left	1821.521	•	•	•
Grease filter right	1821.537	•	•	•
Side profiles kit for hob	1700.092	•	•	•
Grill plate (240×415 mm)	1700.093	•		
Teppanyaki plate (240×415 mm)	1700.095	•		
Roaster (260×410×80 mm - 6,5L)	1700.099	•		
Installation kit for cabinet	1821.400	•	•	•
Input / output module	990.036	•	•	•



Accessories

	Reference	1821	1831	1841
Recirculation with exhaust box				
Built-in box (98 mm high) with monoblock filter (818×289×98 mm)				
White (≈RAL 9003)	7921.400	•	•	•
Mineral Black (≈RAL 9005)	7922.400	•	•	•
Grey (≈RAL 7030)	7923.400	•	•	•
Monoblock replacement filter (2 pcs to order)	7910.055	•	•	•



NOVY

PREMIUM
INNOVATION
PRODUCT

Novy Panorama 120

- Direct extraction at source, thanks to the adjustable height: 10, 20 and 30 cm. The height can be adjusted during cooking
- Height of the tower can be freely adjusted via the Novy Connect app or the control on the hob
- Preset extraction function
- Semi-transparent extraction tower disappears invisibly into the hob
- 4 or 5 cooking zones + bridging functions
- Unique and elegant design
- Easy to maintain
- Surface and flush installation possible
- Recirculation optional: carbon filter with a life span of up to 900 cooking hours



42120



Tower exhaust system
Optimal extraction at the height of the pots.



Flexzone
Automatic or manual bridge function of 2 cooking zones.





Recirculation
Recirculation is optional.



Novy Connect
Operation and settings possible via smartphone or tablet.



	Outside dimensions (WxD) (cm)	Number of zones	Cooking zones (mm)	Cooking zones output (W)	Max. output (W)	Ref.
Venting induction hob Pro	118x52	4 	Ø280, Ø230, 2x 200x240	4x 3000	7400*	42110
Venting induction hob Pro	118x52	5 	Ø280, 4x 200x240	5x 3000	10400*	42120

	Motor	Colour	Width (cm)	EEI	Maximum flow rate (m ³ /h)	Sound level during normal use in dB(A) (re 1 pW)	
						Minimum	Maximum
Extraction	Integrated	Black	110	B	1009	35	61



Noise levels measured in accordance with IEC 60704-2-13 standards, flow rates according to IEC 61591.

* Standard power setting but can be adjusted if required, see technical characteristics next page.

Video
Novy Panorama 120



Technical specifications

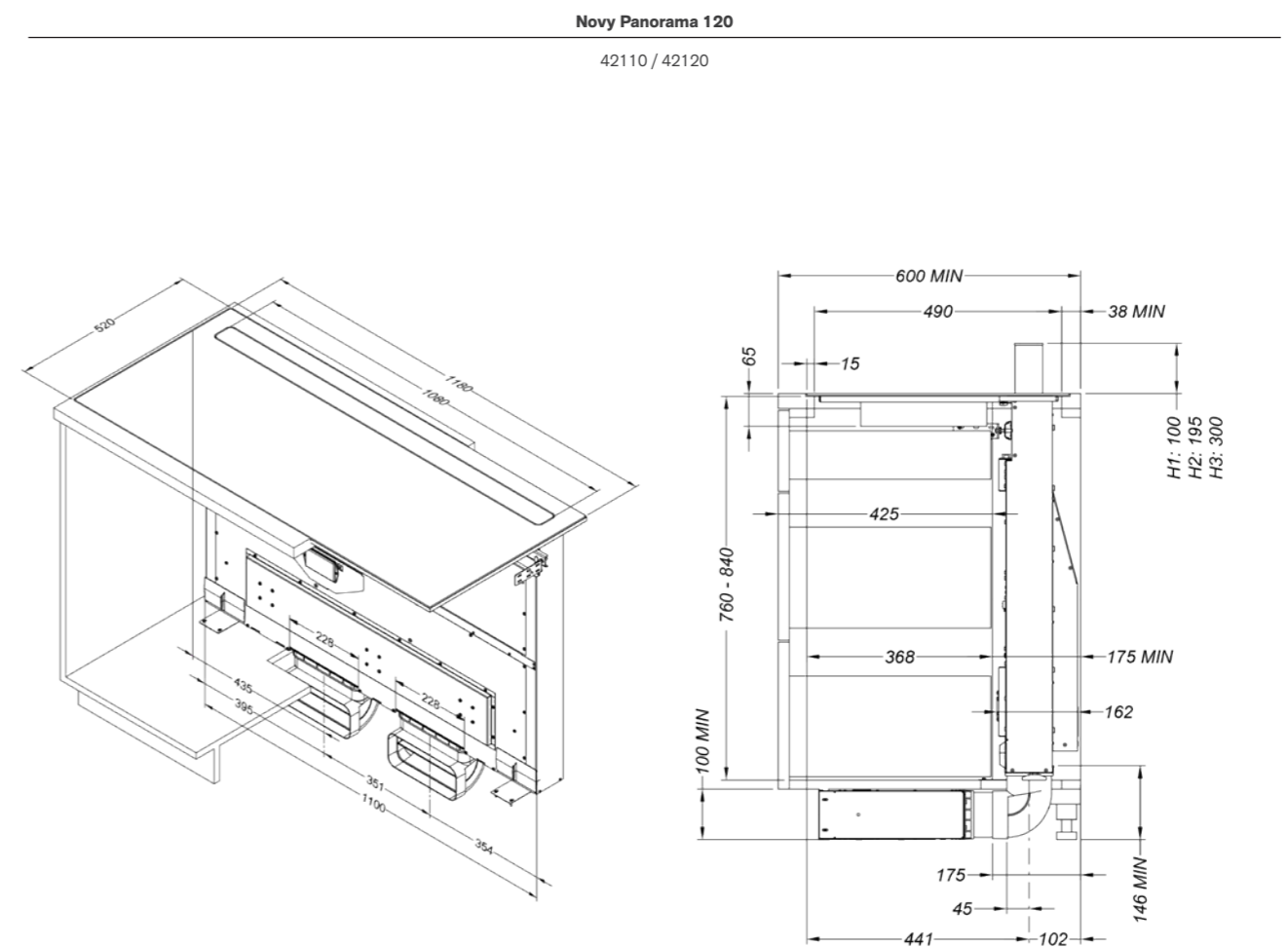
	Novy Panorama 120 42110	Novy Panorama 120 42120
Controls		
Type of controls hob	Slider touch control	Slider touch control
Type of controls cooker hood	Slider touch control / Novy Connect	Slider touch control / Novy Connect
Control Colour	White	White
Glass built-in / Finish		
Finish	Round border	Round border
Surface / Flush	• / •	• / •
Black opaque glass	•	•
Induction hob functions		
Number of power levels	9 + Power + Super Power	9 + Power + Super Power
Automatic pot detection	•	•
Flexzones	• (1 x)	• (2 x)
Automatic bridge function Flexzone	•	•
Manual bridge function Flexzone	•	•
Stop & Go	•	•
Safety lock hob	•	•
Timer on each zone	•	•
Independent cooking timer	•	•
Automatic cooking	•	•
Keep-warm function (°C)	70°	70°
Count-up timer	•	•
Grill function	•	•
Cooking zones		
Cooking zone 1	Left	Left
Dimensions (mm) / Power (Boost) W	Ø 280 / 2300 (3000)	200×240/ 2100 (3000)
Cooking zone 2	Left central	Left central
Dimensions (mm) / Power (Boost) W	Ø 230 / 2300 (3000)	200×240/ 2100 (3000)
Cooking zone 3	Right central	Central
Dimensions (mm) / Power (Boost) W	200×240 / 2100 (3000)	Ø 280 / 2300 (3000)
Cooking zone 4	Right	Right central
Dimensions (mm) / Power (Boost) W	200×240 / 2100 (3000)	200×240/ 2100 (3000)
Cooking zone 5		Right
Dimensions (mm) / Power (Boost) W		200×240/ 2100 (3000)
		
Cooker hood functions		
Preset extraction function	•	•
Manual suction function	•	•
Number of speed settings	5+ 3 intensive	5+ 3 intensive
Run-on timer (min.)	10-30 (default setting)	10-30 (default setting)
Cleaning indicator for grease filter	•	•
Cleaning indicator for recirculation filter	•	•
Safety lock cooker hood	•	•
Extraction height tower (cm)	10, 20, 30	10, 20, 30
Extraction height tower freely adjustable	•	•
Collection container for cleaning	2 up, 2 downwards	2 up, 2 downwards
Dimensions (mm)		
Dimensions device (W×D×H)	1180×520×65	1180×520×65
Dimensions cooker hood (W×D×H)	1100×162×760-840	1100×162×760-840
Exhaust opening diameter	89×222	89×222
Exhaust position	2×Central under (rear/front)	2×Central under (rear/front)
Opening	See p. 260-261	See p. 260-261
Technical characteristics		
Integrated motor	•	•
Weight cooker hood / motor casing (kg)	56.0	56.4
Electrical connection value cooker hood (W)	450	450
Electrical connection value induction hob (W)	7400, 5750 - 1400	10400, 7400 - 1400
Supply voltage	2 power supplies	2 power supplies
Cooker hood	230 V	230 V
Induction hob	230 V / 400 V - 1N / 2N	230 V / 400 V - 1N / 2N / 3N

Air quantity and sound level

Type	Maximum free flow rate (m³/h)	Air quantity (m³/h) / pressure (Pa)			Noise level dB(A) sound pressure (re20µPa) / sound power (re 1pW)		
		Minimum	Continuous	Power setting	Minimum	Continuous	Power setting
42110 Integrated motor	1530	237 / 28	650 / 191	1009 / 416	22 / 35	48 / 61	56 / 70
42120 Integrated motor	1530	237 / 28	650 / 191	1009 / 416	22 / 35	48 / 61	56 / 70

Noise levels measured in accordance with IEC 60704-2-13 standards, flow rates according to IEC 61591.

Technical drawing



Comment
Built-in lower cabinet from 120 cm without post and with removable back plate.
If the cabinet height is less than 76cm, always order the installation kit for cabinet with article number: 1821.400.

Video
Installation video



Accessories

	Reference	42110	42120
Miscellaneous			
Grease filter left	42120.521	•	•
Grease filter right	42120.535	•	•
Side profiles kit for hob	1700.092	•	•
Grill plate (240×415 mm)	1700.093	•	•
Teppanyaki plate (240×415 mm)	1700.095	•	•
Roaster (260×410×80 mm - 6,5L)	1700.099	•	•
Installation kit for cabinet	1821.400	•	•
Input / output module	990.036	•	•



Accessories

	Reference	42110	42120
Recirculation with exhaust box			
Built-in box (98 mm high) with monoblock filter (1100×290×98 mm)			
White (≈RAL 9003)	7941.400	•	•
Mineral Black (≈RAL 9005)	7942.400	•	•
Grey (≈RAL 7030)	7943.400	•	•
Monoblock replacement filter (set)	98.001	•	•

Technical details recirculationboxes see p. 224-225



Novy Easy 65

(Available from Q2 2025)

- Compact 65 cm downdraft for optimal space usage, perfect for installation in 60 cm kitchen cabinets
- Optimised airflow due to elegant finish
- Easy maintenance
- 4 cooking zones and useful functions
- Surface and flush installation possible
- Monoblock filter with a life span of up to 450 cooking hours (1881)



Integrated extraction
Powerful extraction by integrated cooker hood.



Flexzone
Automatic or manual bridge function of 2 cooking zones.





Recirculation
Recirculation (1881)



1871



	Outside dimensions (WxD) (cm)	Number of zones	Cooking zones (mm)	Cooking zones output (W)	Max. output (W)	Ref.
Venting induction hob with extraction	65x52	4 	2x 210x220, 2x Ø175	2x 3000, 2x 2100	7568 *	1871
Venting induction hob - recirculation model (incl. Monoblock filter)	65x52	4 	2x 210x220, 2x Ø175	2x 3000, 2x 2100	7568 *	1881

	Motor	Colour	Width (cm)	EEl	Maximum flow rate (m³/h)	Sound level during normal use in dB(A) (re 1 pW)	
						Minimum	Maximum
Extraction	Integrated	Black	10	A+	584	48	68

Noise levels measured in accordance with IEC 60704-2-13 standards, flow rates according to IEC 61591.

* Standard power setting but can be adjusted if required, see technical characteristics next page.



Video
Novy Easy 65



Technical specifications

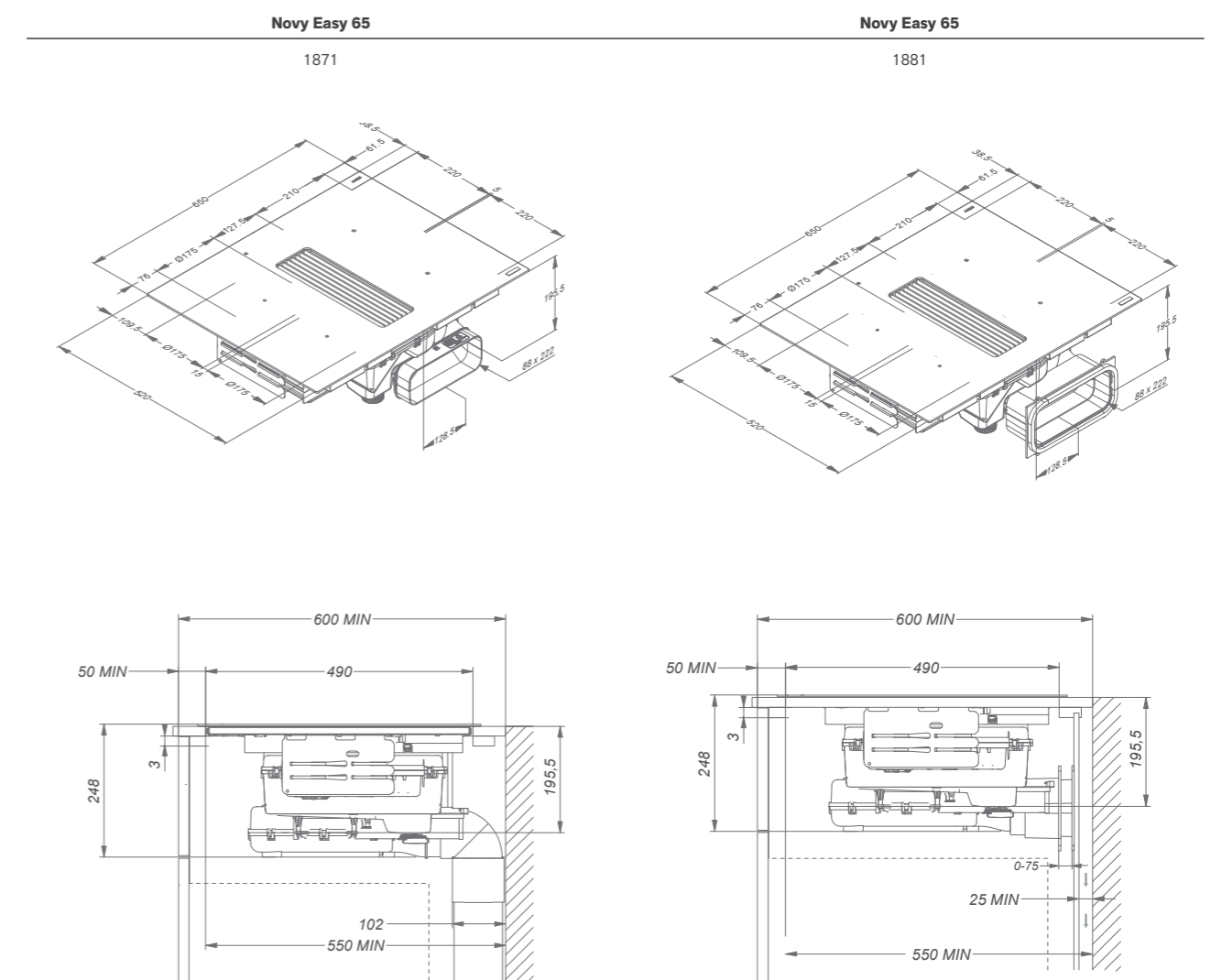
	Novy Easy 65 1871 (extraction)	Novy Easy 65 1881 (recirculating)
Controls		
Type of controls	Slider touch control	Slider touch control
Control Colour	Red	Red
Glass built-in / Finish		
Finish	Round border	Round border
Surface / Flush	• / •	• / •
Black opaque glass	•	•
Induction hob functions		
Number of power levels	9 + Power	9 + Power
Automatic pot detection	•	•
Flexzones	• (1 ×)	• (1 ×)
Automatic bridge function Flexzone	•	•
Manual bridge function Flexzone	•	•
Stop & Go	•	•
Safety lock hob	•	•
Timer on each zone	•	•
Independent cooking timer	•	•
Automatic cooking	•	•
Keep-warm function (°C)	70°	70°
Grill function	•	•
Cooking zones		
Cooking zone 1	Front left	Front left
Dimensions (mm) / Power (Boost) W	210×220 / 2100 (3000)	210×220 / 2100 (3000)
Cooking zone 2	Rear left	Rear left
Dimensions (mm) / Power (Boost) W	210×220 / 2100 (3000)	210×220 / 2100 (3000)
Cooking zone 3	Right front	Right front
Dimensions (mm) / Power (Boost) W	Ø 175 / 1400 (2100)	Ø 175 / 1400 (2100)
Cooking zone 4	Back right	Back right
Dimensions (mm) / Power (Boost) W	Ø 175 / 1400 (2100)	Ø 175 / 1400 (2100)
Cooker hood functions		
Number of speed settings	9 + Power	9 + Power
Automatic speed control	•	•
Run-on timer (min.)	10	30
Cleaning indicator for grease filter	•	•
Clearing indicator for recirculation filter	•	•
Collection container for cleaning	2 -fold	2 -fold
Dimensions (mm)		
Dimensions appliance (W×D×H)	650×520×248	650×520×248
Exhaust opening diameter	89×222	89×222
Exhaust position	Rear left / left downwards	Rear left / left downwards
Opening (B×D)	See p. 260-261	See p. 260-261
Technical characteristics		
Integrated motor	•	•
Weight cooker hood / motor casing (kg)	17,9	18,5
Electrical connection value (W)	7568, 5918 - 1568	7568, 5918 - 1568
Multiphase supply voltage	230 V / 400 V - 2N / 3N	230 V / 400 V - 2N / 3N
Single-phase supply voltage	230 V	230 V

Air quantity and sound level

Type	Maximum free flow rate (m ³ /h)	Air quantity (m ³ /h) / pressure (Pa)			Noise level dB(A) sound pressure (re20µPa) / sound power (re 1pW)		
		Minimum	Continuous	Power mode	Minimum	Continuous	Power mode
1871 Integrated motor	750	196 / 44	488 / 282	584 / 478	36 / 48	56 / 68	60 / 72
1881 Integrated motor	750	126 / -	428 / -	445 / -	36 / 48	52 / 64	53 / 65

Noise levels measured in accordance with IEC 60704-2-13 standards, flow rates according to IEC 61591.

Technical drawing



Video
Installation video



Accessories

	Reference	1871	1881
Miscellaneous			
Grease filter	99.005	•	•
Side profiles kit for hob	1700.092	•	•
Grill plate (240×415 mm)	1700.093	•	•
Teppanyaki plate (240×415 mm)	1700.095	•	•
Roaster (260×410×80 mm - 6,5L)	1700.099	•	•



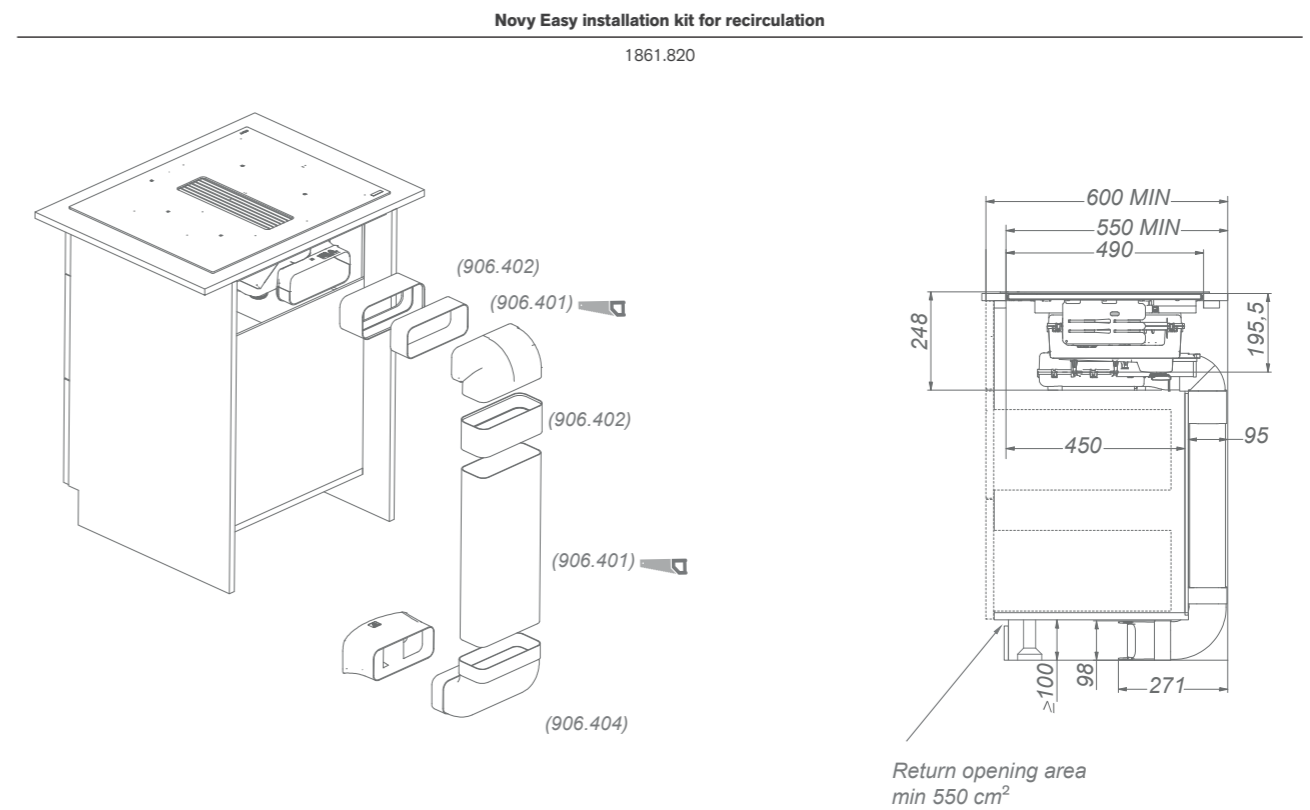
Accessories

	Reference	1871	1881
Recirculation			
Monoblock replacement filter	98.005	•	•
Installation kit with monoblock filter*	1861.820	•	•

* Discharge adapter plinth incl. Ref 906.401 + 2x906.402 + 906.404



Technical drawing



Novy Easy 80

- Optimised airflow due to elegant finish
- Easy maintenance
- Extra large cooking surface
- 4 cooking zones and useful functions
- Surface-mounting and flush-mounting possible
- Monoblock filter with a life span of up to 450 cooking hours (1861)



Integrated extraction
Powerful extraction by integrated cooker hood.



Flexzone
Automatic or manual bridge function of 2 cooking zones.





Recirculation
Recirculation (1861)



1851



	Outside dimensions (WxD) (cm)	Number of zones	Cooking zones (mm)	Cooking zones output (W)	Max. output (W)	Ref.
Venting induction hob with extraction	80x52	4 	4x 240x210	4x 3000	7568 *	1851
Venting induction hob - recirculation model (incl. Monoblock filter)	80x52	4 	4x 240x210	4x 3000	7568 *	1861

	Motor	Colour	Width (cm)	EEl	Maximum flow rate (m³/h)	Sound level during normal use in dB(A) (re 1 pW)	
						Minimum	Maximum
Extraction	Integrated	Black	10	A+++	610	47	66

Noise levels measured in accordance with IEC 60704-2-13 standards, flow rates according to IEC 61591.


* Standard power setting but can be adjusted if required, see technical characteristics next page.



Video
Novy Easy 80



Technical specifications

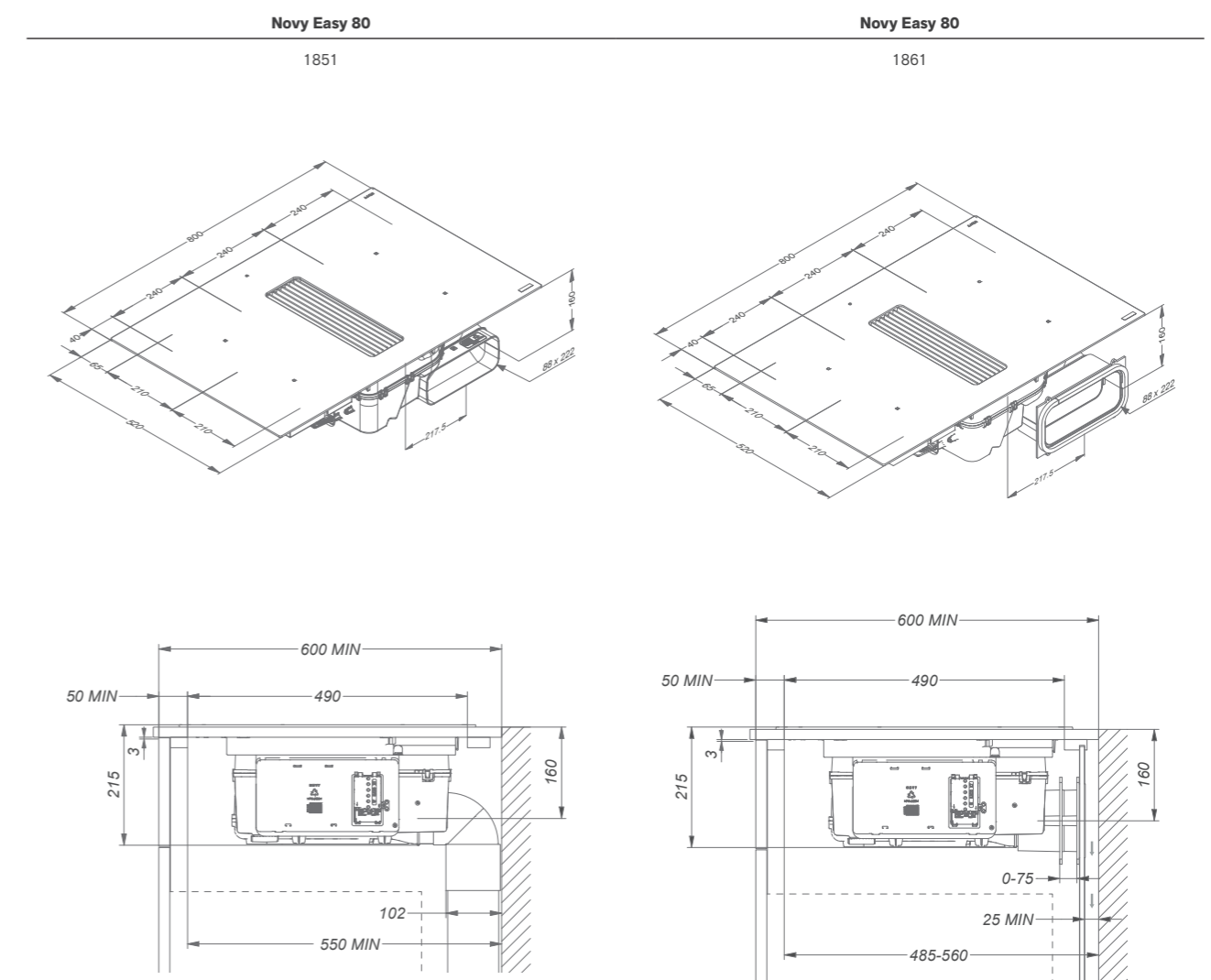
	Novy Easy 80 1851 (extraction)	Novy Easy 80 1861 (recirculating)
Controls		
Type of controls	Slider touch control	Slider touch control
Control Colour	Red	Red
Glass built-in / Finish		
Finish	Round border	Round border
Surface / Flush	• / •	• / •
Black opaque glass	•	•
Induction hob functions		
Number of power levels	9 + Power	9 + Power
Automatic pot detection	•	•
Flexzones	• (2x)	• (2x)
Automatic bridge function Flexzone	•	•
Manual bridge function Flexzone	•	•
Stop & Go	•	•
Safety lock hob	•	•
Timer on each zone	•	•
Independent cooking timer	•	•
Automatic cooking	•	•
Keep-warm function (°C)	70°	70°
Grill function	•	•
Cooking zones		
Cooking zone 1	Front left	Front left
Dimensions (mm) / Power (Boost) W	240×210 / 2100 (3000)	240×210 / 2100 (3000)
Cooking zone 2	Rear left	Rear left
Dimensions (mm) / Power (Boost) W	240×210 / 2100 (3000)	240×210 / 2100 (3000)
Cooking zone 3	Right front	Right front
Dimensions (mm) / Power (Boost) W	240×210 / 2100 (3000)	240×210 / 2100 (3000)
Cooking zone 4	Back right	Back right
Dimensions (mm) / Power (Boost) W	240×210 / 2100 (3000)	240×210 / 2100 (3000)
		
Cooker hood functions		
Number of speed settings	9 + Power	9 + Power
Automatic speed control	•	•
Run-on timer (min.)	10	30
Cleaning indicator for grease filter	•	•
Cleaning indicator for recirculation filter	•	•
Collection container for cleaning	2 -fold	2 -fold
Dimensions (mm)		
Dimensions appliance (W×D×H)	800×520×215	800×520×215
Exhaust opening diameter	89×222	89×222
Exhaust position	Rear left / left downwards	Rear left / left downwards
Opening (B×D)	See p. 260-261	See p. 260-261
Technical characteristics		
Integrated motor	•	•
Weight cooker hood / motor casing (kg)	18,3	18,9
Electrical connection value (W)	7568, 5918 - 1568	7568, 5918 - 1568
Multiphase supply voltage	230 V / 400 V - 2N / 3N	230 V / 400 V - 2N / 3N
Single-phase supply voltage	230 V	230 V

Air quantity and sound level

Type	Maximum free flow rate (m ³ /h)	Air quantity (m ³ /h) / pressure (Pa)			Noise level dB(A) sound pressure (re20μPa) / sound power (re 1pW)		
		Minimum	Continuous	Power mode	Minimum	Continuous	Power mode
1851 Integrated motor	750	220 / 46	520 / 263	610 / 452	34 / 47	54 / 66	58 / 70
1861 Integrated motor	750	172 / -	472 / -	537 / -	32 / 44	53 / 65	55 / 67

Noise levels measured in accordance with IEC 60704-2-13 standards, flow rates according to IEC 61591.

Technical drawing



Video
Installation video



Accessories

	Reference	1851	1861
Miscellaneous			
Grease filter	99.003	•	•
Side profiles kit for hob	1700.092	•	•
Grill plate (240×415 mm)	1700.093	•	•
Teppanyaki plate (240×415 mm)	1700.095	•	•
Roaster (260×410×80 mm - 6,5L)	1700.099	•	•



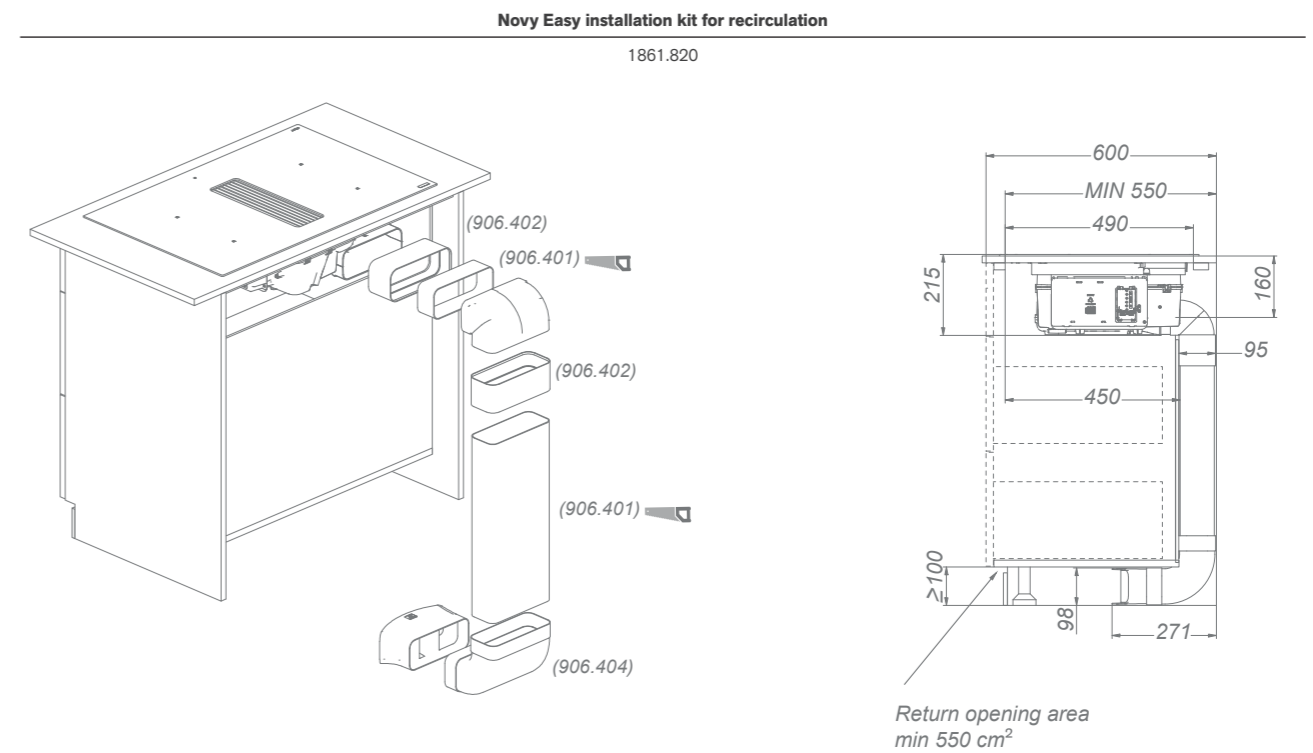
Accessories

	Reference	1851	1861
Recirculation			
Monoblock replacement filter	98.002	•	•
Installation kit with monoblock filter*	1861.820	•	•

* Discharge adapter plinth incl. Ref 906.401 + 2x906.402 + 906.404



Technical drawing





ABOUT
NOVY



COOKER
HOOD
GUIDELINES



VENTING
HOBS



CEILING
UNITS



BUILT-IN
COOKER
HOODS



TELESCOPIC
COOKER
HOODS



WALL-
MOUNTED
COOKER
HOODS



ISLAND
COOKER
HOODS



COOKER
HOOD
ACCESSORIES



HOBS



DESIGNER
LIGHTING



INFO



NOVY

PREMIUM
INNOVATION
PRODUCT

Novy Easy 90 Prestige

- Elegant black powder-coated aluminium rotary control knobs
- One reference for recirculation and duct out
- Extra large cooking surface
- Optimised airflow due to elegant finish
- 4 cooking zones and useful functions
- Surface and flush installation possible
- Recirculation Monoblock filter with a life span of up to 450 cooking hours
- Easy maintenance



Integrated extraction
Powerful extraction by integrated cooker hood.



Flexzone
Coupling of 2 cooking zones for large pots and pans.



Recirculation
Recirculation as standard.



Direct extraction
Adjustable.



	Outside dimensions (WxD) (cm)	Number of zones	Cooking zones (mm)	Cooking zones output (W)	Max. output (W)	Ref.
Venting induction hob with extraction	90x52	4	4x 240x210	4x 3000	7568 *	1866

	Motor	Colour	Width (cm)	EEI	Maximum flow rate (m³/h)	Sound level during normal use in dB(A) (re 1 pW)	
						Minimum	Maximum
Recirculation mode (default)	Integrated	Black	10	-	537	44	65
Duct out mode	Integrated	Black	10	A+++	610	47	66

Noise levels measured in accordance with IEC 60704-2-13 standards, flow rates according to IEC 61591.


* Standard power setting but can be adjusted if required, see technical characteristics next page.



Video
Novy Easy 90 Prestige



Technical specifications

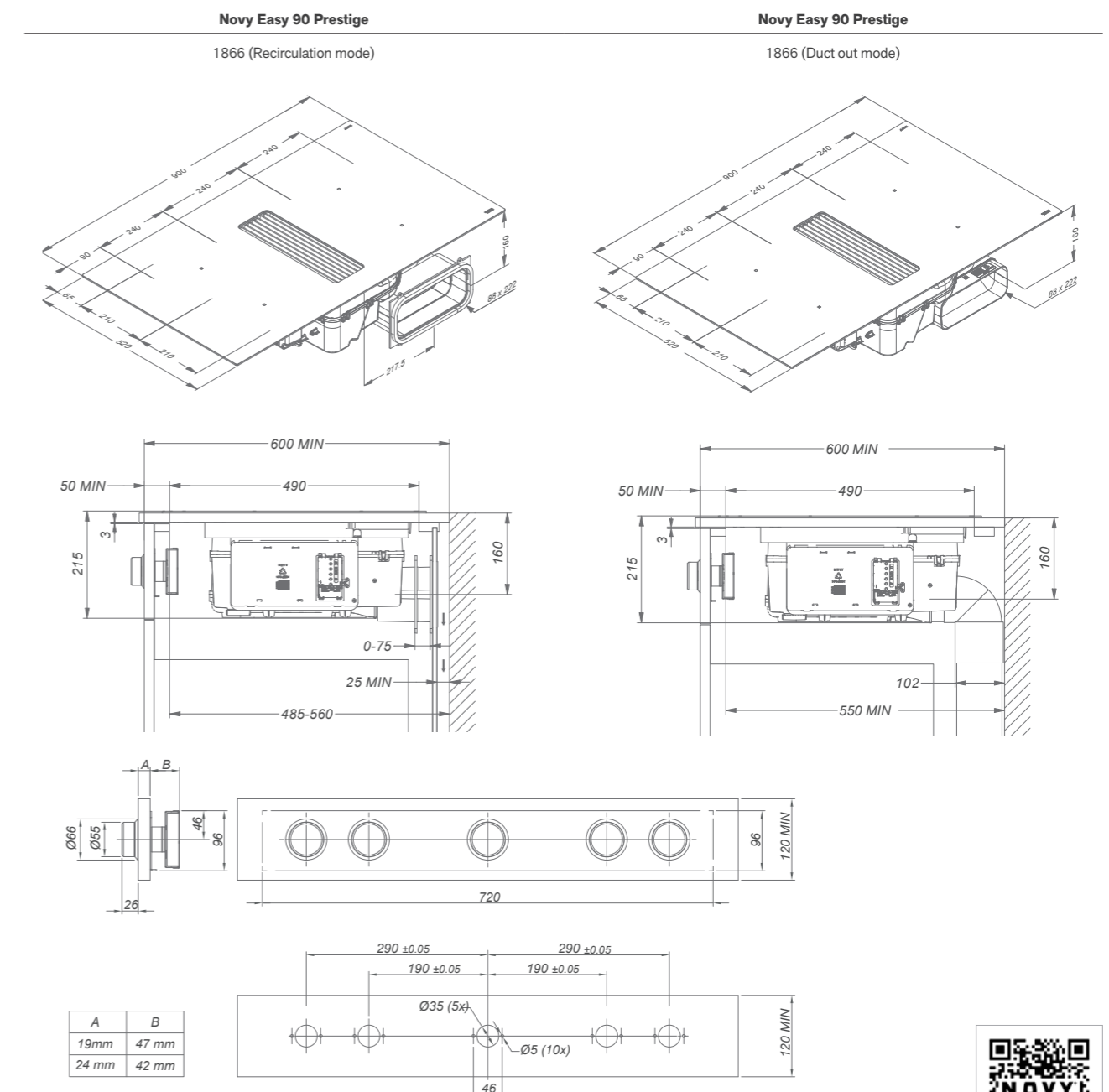
Novy Easy 90 Prestige 1866	
Controls	
Type of controls	Rotary control knob
Colour and material knobs	Black powder-coated aluminium
Control Colour	Red
Glass built-in / Finish	
Finish	Round border
Surface / Flush	• / •
Black opaque glass	•
Induction hob functions	
Number of power levels	9 + Power
Automatic pot detection	•
Flexzones	• (2x)
Manual bridge function Flexzone	•
Safety lock hob	•
Automatic cooking	•
Keep-warm function (°C)	42°
Cooking zones	
Cooking zone 1	Front left
Dimensions (mm) / Power (Boost) W	240x210 / 2100 (3000)
Cooking zone 2	Rear left
Dimensions (mm) / Power (Boost) W	240x210 / 2100 (3000)
Cooking zone 3	Right front
Dimensions (mm) / Power (Boost) W	240x210 / 2100 (3000)
Cooking zone 4	Back right
Dimensions (mm) / Power (Boost) W	240x210 / 2100 (3000)
	
Cooker hood functions	
Number of speed settings	9 + Power
Automatic speed control	•
Run-on timer recirculation mode (min.)	30 (default setting)
Run-on timer duct out mode (min.)	10
Cleaning indicator for grease filter	•
Clearing indicator for recirculation filter	•
Collection container for cleaning	2 -fold
Dimensions (mm)	
Dimensions appliance (WxDxH)	900x520x215
Exhaust opening diameter	89x222
Exhaust position	Rear left / left downwards
Opening (BxD)	See p. 260-261
Technical characteristics	
Integrated motor	•
Weight cooker hood / motor casing (kg)	24,3
Electrical connection value (W)	7568, 5918 - 1568
Multiphase supply voltage	230 V / 400 V - 2N / 3N
Single-phase supply voltage	230 V

Air quantity and sound level

Type	Maximum free flow rate (m ³ /h)	Air quantity (m ³ /h) / pressure (Pa)			Noise level dB(A) sound pressure (re20μPa) / sound power (re 1pW)		
		Minimum	Continuous	Power mode	Minimum	Continuous	Power mode
1866 Recirculation mode (default)	750	172 / -	472 / -	537 / -	32 / 44	53 / 65	55 / 67
1866 Duct out mode	750	220 / 46	520 / 263	610 / 452	34 / 47	54 / 66	58 / 70

Noise levels measured in accordance with IEC 60704-2-13 standards, flow rates according to IEC 61591.

Technical drawing



* The front panel of the cabinet must be removable to mount the rotary controls.
 ** This kit with rotary controls is only suitable for use with a 19 or 24 mm thick removable front panel.

Video
Installation video



Accessories

	Reference	1866
Miscellaneous		
Grease filter	99.003	•
Side profiles kit for hob	1700.092	•
Grill plate (240×415 mm)	1700.093	•
Teppanyaki plate (240×415 mm)	1700.095	•
Roaster (260×410×80 mm - 6,5L)	1700.099	•



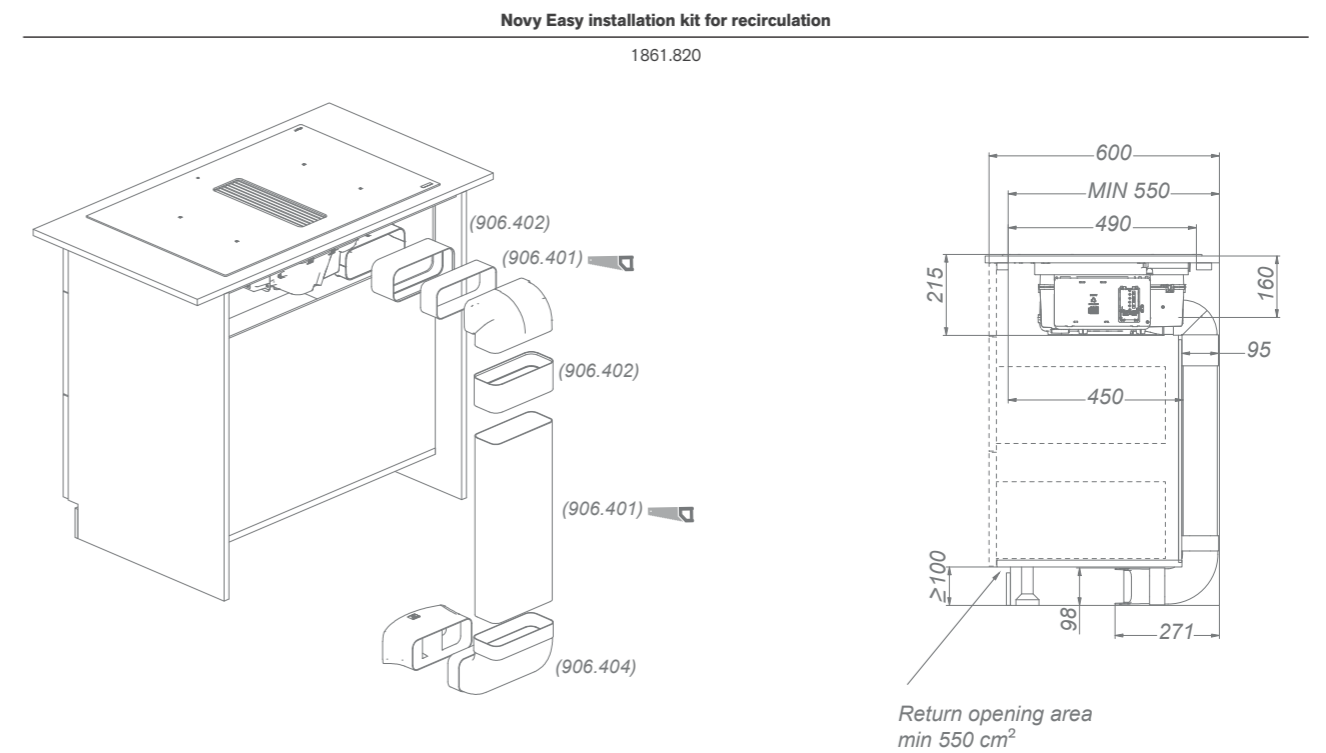
Accessories

	Reference	1866
Recirculation		
Monoblock replacement filter	98.002	•
Installation kit with monoblock filter*	1861.820	•

* Discharge adapter plinth incl. Ref 906.401 + 2x906.402 + 906.404



Technical drawing





Novy Up

- Direct extraction of cooking vapours thanks to the adjustable flap and central extraction tower
- Manual operation of the extraction tower
- Adjustable flap with adjustable height for directional extraction
- Extraction tower disappears in between the domino hobs
- Choice of various cooking setups
- Surface and flush installation possible
- Recirculation optional: carbon filter with a life span of up to 900 cooking hours



Tower exhaust system
Optimal extraction at the height of the pots.



Flexzone
Manual bridge function of 2 cooking zones. (except 40002)



Recirculation
Recirculation is optional.



	Outside dimensions (WxD) (cm)	Number of zones	Cooking zones (mm)	Cooking zones output (W)	Max. output (W)	Ref.
Venting induction hob Power	49x52	2	2x 240x200	3000 + 1850	3700	40000
Venting induction hob Comfort	87x52	4	2x ø175, 2x ø210	2x 3000 + 2x 1400	7400	40002
Venting induction hob Power	87x52	4	4x 240x200	2x 3000 + 2x 1850	7400	40004
Venting induction hob Power + Teppan	87x52	4	2x 240x200	3000 + 1850 + 2800	6500	40006
Venting induction hob Power + Wok	87x52	3	2x 240x200	3000 + 1850 + 3200	6900	40008



	Motor	Colour	Width (cm)	EEI	Maximum flow rate (m³/h)	Sound level during normal use in dB(A) (re 1 pW)	
						Minimum	Maximum
Extraction	Integrated	Black	11	B	537	55	62




Noise levels measured in accordance with IEC 60704-2-13 standards, flow rates according to IEC 61591.

Video
Novy Up



Technical specifications

	Novy Up 40000	Novy Up 40002
Controls		
Type of controls	Touch control	Touch control
Control colour	Red	Red
Glass built-in / Finish		
Finish	Round border	Round border
Surface / flush	• / •	• / •
Black opaque glass	•	•
Induction hob functions		
Number of power levels	9 + Power	9 + Power
Flexzones	• (1 x)	
Manual bridge function Flexzone	•	
Stop & Go		
Safety lock hob	•	•
Timer on each zone	•	•
Independent cooking timer	•	•
Keep-warm function		
Cooking zones		
Number of cooking zones	2	4
Cooking zone 1	Front left	Front left
Dimensions (mm) / Power (BOOST) (W)	240×200 / 1600 (1850)	175 / 1100 (1400)
Cooking zone 2	Rear left	Rear left
Dimensions (mm) / Power (BOOST) (W)	240×200 / 2100 (3000)	210 / 2300 (3000)
Cooking zone 3		Front right
Dimensions (mm) / Power (BOOST) (W)		175 / 1100 (1400)
Cooking zone 4		Rear right
Dimensions (mm) / Power (BOOST) (W)		210 / 2300 (3000)
		
Cooker hood functions		
Number of speed settings	3 + power	3 + power
Run-on timer (min)	10-30 (default setting)	10-30 (default setting)
Clearing indicator for grease filter	•	•
Clearing indicator for recirculation filter	•	•
Venting valve for aspiration direction	•	•
Extraction height tower (cm)	0, 10	0, 10
Collection container for cleaning	Fixed	Fixed
Tower operation	Manual	Manual
Dimensions (mm)		
Dimensions appliance (WxDxH)(mm)	491×520×228	872×520×228
Exhaust opening diameter (mm)	89×222	89×222
Exhaust position	Rear left / left downwards	Rear left / left downwards
Opening (WxD)	See p. 260-261	See p. 260-261
Maximum thickness worktop (mm)	25	
Technical characteristics		
Integrated motor	•	•
Weight cooker hood / motor casing (kg)	24	29
Electrical connection value cooker hood (W)	155	155
Electrical connection value induction hob (W)	3700	7400
Supply voltage	2 power supplies	2 power supplies
Cooker hood	230 V	230 V
Induction hob	230 V - 1N	230 V - 1N / 2N

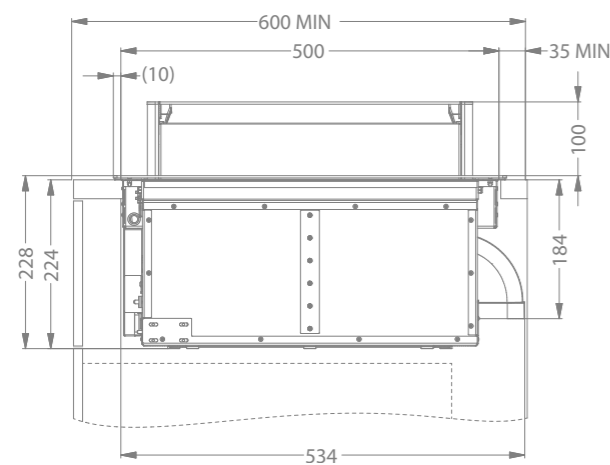
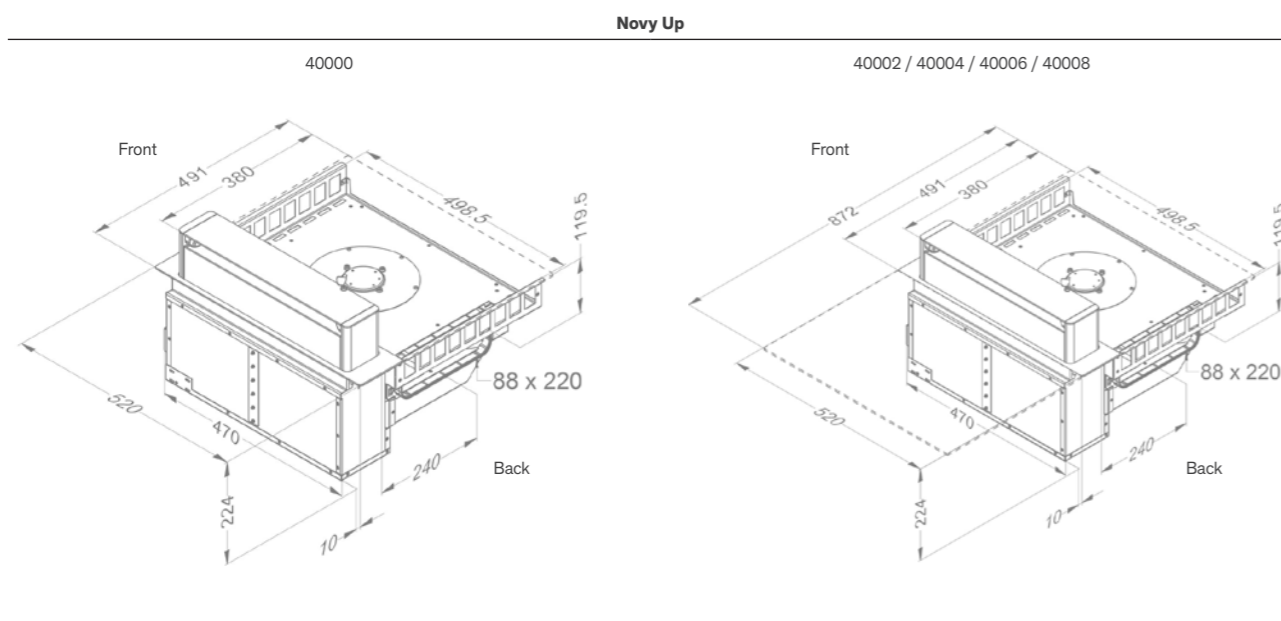
Novy Up 40004	Novy Up 40006	Novy Up 40008
Controls		
Type of controls	Touch control	Touch control + slider
Control colour	Red	Red
Glass built-in / Finish		
Finish	Round border	Round border
Surface / flush	• / •	• / •
Black opaque glass	•	•
Induction hob functions		
Number of power levels	9 + Power	9 + Power
Flexzones	• (2x)	• (1 x)
Manual bridge function Flexzone	•	•
Stop & Go		
Safety lock hob	•	• (teppan)
Timer on each zone	•	• (teppan)
Independent cooking timer	•	•
Keep-warm function		• (teppan)
Cooking zones		
Number of cooking zones	4	4
Cooking zone 1	Front left	Front left
Dimensions (mm) / Power (BOOST) (W)	240×200 / 1600 (1850)	240×200 / 1600 (1850)
Cooking zone 2	Rear left	Rear left
Dimensions (mm) / Power (BOOST) (W)	240×200 / 2100 (3000)	240×200 / 2100 (3000)
Cooking zone 3	Front right	Front right
Dimensions (mm) / Power (BOOST) (W)	240×200 / 1600 (1850)	1400
Cooking zone 4	Rear right	Rear right
Dimensions (mm) / Power (BOOST) (W)	240×200 / 2100 (3000)	1400
		
		
Cooker hood functions		
Number of speed settings	3 + power	3 + power
Run-on timer (min)	10-30 (default setting)	10-30 (default setting)
Clearing indicator for grease filter	•	•
Clearing indicator for recirculation filter	•	•
Venting valve for aspiration direction	•	•
Extraction height tower (cm)	0, 10	0, 10
Collection container for cleaning	Fixed	Fixed
Tower operation	Manual	Manual
Dimensions (mm)		
Dimensions appliance (WxDxH)(mm)	872×520×228	872×520×228
Exhaust opening diameter (mm)	89×222	89×222
Exhaust position	Rear left / left downwards	Rear left / left downwards
Opening (WxD)	See p. 260-261	See p. 260-261
Maximum thickness worktop (mm)		
Technical characteristics		
Integrated motor	•	•
Weight cooker hood / motor casing (kg)	30	33,6
Electrical connection value cooker hood (W)	155	155
Electrical connection value induction hob (W)	7400	6500
Supply voltage	3 power supplies	3 power supplies
Cooker hood	230 V	230 V
Induction hob	230 V - 1N / 2N	230 V - 1N / 2N

Air quantity and sound level

Type	Maximum free flow rate (m³/h)	Air quantity (m³/h) / pressure (Pa)			Noise level dB(A) sound pressure (re20µPa) / sound power (re 1pW)		
		Minimum	Continuous	Power setting	Minimum	Continuous	Power setting
40000 Integrated motor	750	375 / 188	502 / 325	537 / 501	43 / 55	51 / 62	52 / 64
40002 Integrated motor	750	375 / 188	502 / 325	537 / 501	43 / 55	51 / 62	52 / 64
40004 Integrated motor	750	375 / 188	502 / 325	537 / 501	43 / 55	51 / 62	52 / 64
40006 Integrated motor	750	375 / 188	502 / 325	537 / 501	43 / 55	51 / 62	52 / 64
40008 Integrated motor	750	375 / 188	502 / 325	537 / 501	43 / 55	51 / 62	52 / 64

Noise levels measured in accordance with IEC 60704-2-13 standards, flow rates according to IEC 61591.

Technical drawing



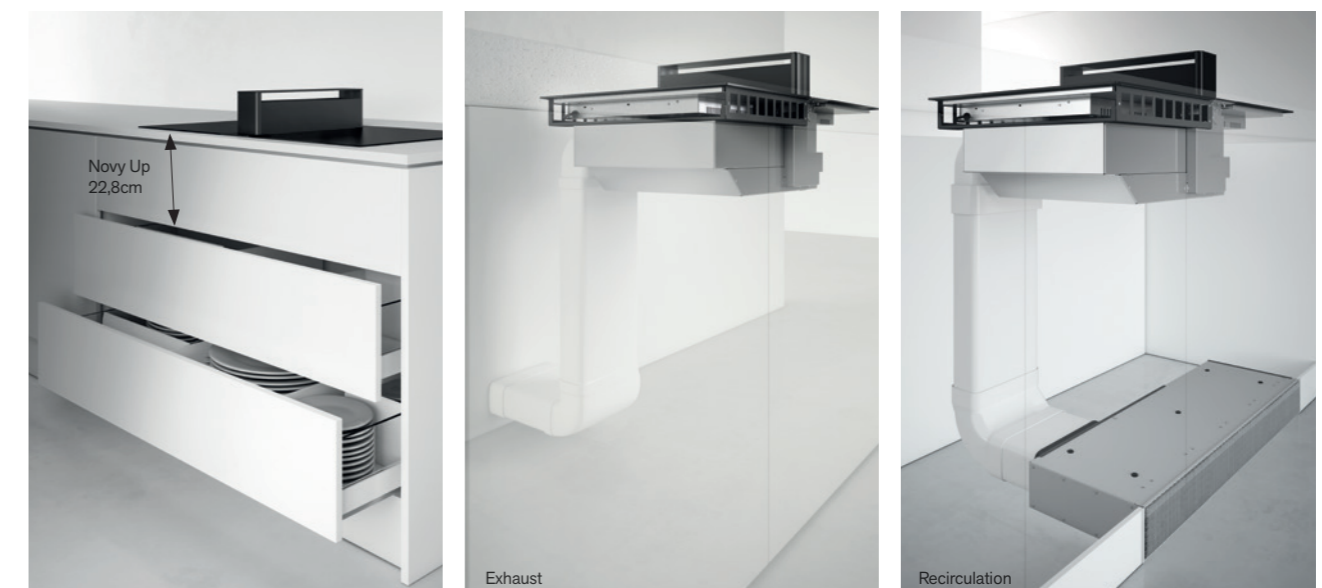
Video
Installation video



Installation options

Type	Cooking zone	Total width (mm)
	2	491
	4	872
	6	1364
	8	1745

* Wok or Teppan Yaki should always be positioned to the right.



Accessories

	Reference	40000-8
Miscellaneous		
Grease filter	99.002	•
Cabelset windowsswitch	990.037	•
Recirculation with exhaust box		
Built-in box (98 mm high) with monoblock filter (818×289×98 mm)		
White (≈RAL 9003)	7921.400	•
Mineral Black (≈RAL 9005)	7922.400	•
Grey (≈RAL 7030)	7923.400	•
Monoblock replacement filter (2 pcs to order)	7910.055	•
Installation kit with monoblock filter* (818×289×98 mm) (at a minimum cabinet depth of 60 cm)		
White (≈RAL 9003)	1811.821	•
Mineral Black (≈RAL 9005)	1811.822	•
Grey (≈RAL 7030)	1811.823	•
Monoblock replacement filter (2 pcs to order)	7910.055	•

* Installation kit contains built-in box with monoblock filter (818×289×98 mm) incl. references 906.401, 906.402 (2x) & 906.404

Technical details recirculationboxes see p. 224-225



Ceiling units

Novy Cloud



Novy Pureline Pro Compact



Novy Pureline Compact



Novy Pureline Pro



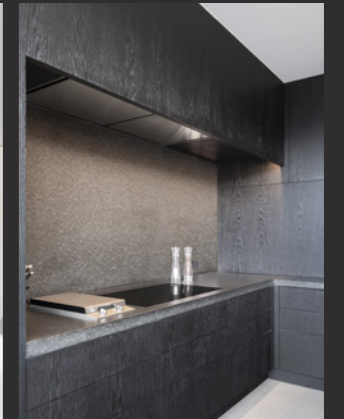
Novy Pureline (with lighting)



Novy Pureline (without lighting)



Novy Maxi Pureline



Width

90 cm		▪	▪	▪	▪	▪	
110 cm	▪						
120 cm		▪	▪	▪	▪	▪	
150 cm							▪

Colour

White	▪	▪	▪	▪	▪	▪	▪
Stainless steel		▪	▪	▪	▪	▪	▪
Mineral Black	▪	▪	▪	▪	▪	▪	

Motor

Integrated	▪	▪	▪	▪	▪	▪	▪
From a distance (inside)				Optional	Optional	Optional	
Not included					▪	▪	▪

Exhaust

To the outside		▪	▪	▪	▪	▪	▪
Recirculation	▪	Optional	Optional	Optional	Optional	Optional	Optional

p. 86

p. 90

p. 96

p. 102

p. 108

p. 114

p. 120

Step-by-step plan

The following 5-step plan helps you find your way in choosing the right Novy ceiling unit.

Step 1 Width of the ceiling unit

For a good result the cooker hood must be at least the full width of the hob. Our ceiling units are available in sizes 90, 110, 120 and 150 cm. The following combinations are recommended for the ceiling units (directive):

Width hob	Width ceiling unit	Max. distance between cooker hood and hob
≤ 80 cm ¹	min. 90 cm	160 cm
81 - 109 cm	min. 110 cm	160 cm
110 - 120 cm	min. 120 cm	160 cm
> 120 cm	min. 150 cm	160 cm

¹ For installation in fully suspended ceilings, we recommend a ceiling unit of at least 120 cm for hobs 80 and 90 cm wide.

Step 2 LED lighting

With LED lights

The ceiling unit is equipped with dual LED lighting or a LED strip. The light intensity and colour temperature can be adjusted to your wishes.

Without LED lights

For a minimalistic design. To these ceiling units you can connect external lighting (max. 300 W), which can be operated through the cooker hood, remote control or InTouch technology (not dimmable).

Step 3 Recirculation or exhaust to the outside

Recirculation

If extraction to the outside is not an option, you can choose recirculation instead. For ceiling units it is possible to choose

- 2 types of built-in boxes, each in 3 colours with monoblock filter.
- A basic kit. The basic kit contains a monoblock filter. The monoblock filter is placed directly behind the grease filter. The exhaust grill to let the filtered air back into the kitchen must be provided by you.

The Novy Cloud has recirculation as a standard.

With a cooker hood with recirculation, there must be a minimum of ventilation in the room where the cooker hood has been installed. Ventilation can be provided by the overall ventilation in the house or by opening a window and/or door.

Duct out

Novy offers a wide range of installation accessories on p. 230.

A cooker hood works optimally when the extracted air is replaced with fresh air. An insufficient air inlet leads to a loss of efficiency. It is therefore best to provide a sufficient air inlet (via a window extractor, an open door or window, or from another room).

Step 4 Ceiling unit installation options

The Novy Pureline ceiling unit can be installed in 2 ways:

- flush-mounted in the ceiling
- in an alcove or a self-constructed chimney

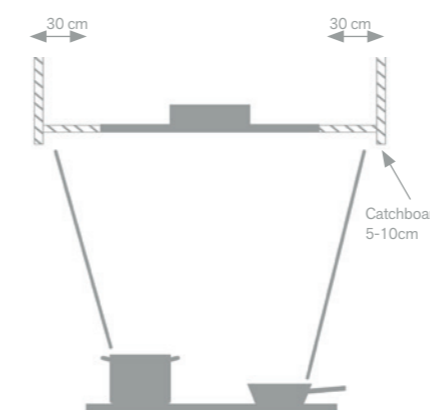
The Novy Cloud ceiling unit can be mounted directly to the ceiling.

The maximum installation height (between the hob and the underside of the ceiling unit) is 160 cm.

Installation in an alcove or self-constructed chimney



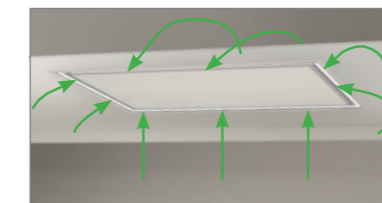
Cooking vapours do not rise straight up, instead they fan out over an angle of between 10° and 15°. For an efficient operation it is important that the whole construction in which the ceiling unit is installed is at least the same width and depth as the hob. Create an overlap of approximately 30 cm around the ceiling unit to prevent cooking vapours from escaping. In addition, edging of 5 to 10 cm high will ensure that fewer vapours can escape.



Installation in the ceiling



In this type of installation the ceiling unit is installed in a suspended ceiling and usually covers the entire kitchen. Because the unit is flush with the ceiling, vapours cannot rise higher than the unit itself and are captured along the edges.



Mounting onto the ceiling

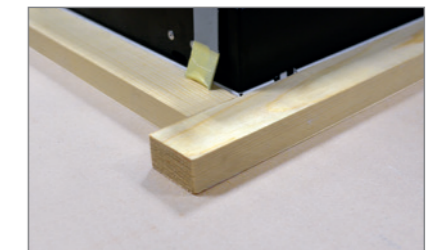


The Novy Cloud ceiling unit only needs to be screwed to the ceiling and does not require any opening in the ceiling. Never before has it been this easy to install a cooker hood. Make sure, however, that your ceiling is sufficiently strong.

Construction of the suspension structure

On the long sides of the Pureline ceiling unit there are mounting clamps that hold the cooker hood in the cut-out opening. For this, the material and thickness must be 18-35 mm.

Never mount directly in the plasterboard, always provide reinforcement (in wood, on the side or by means of a frame) to which the mounting clamps can be clamped.



Adapter for flat duct with limited built-in height

If the built-in depth is limited, it is possible to remove the Cubic motor from the ceiling unit. In this situation, an optional adapter can be ordered. The adaptor is placed directly on the ceiling unit and connected to a flat rectangular duct. The motor is then installed in a different location indoors. Please note that the entrance to the motor is round. With adapter 6830.053 the built-in height can be limited to 17,3 cm and with 830.053 to 18,5 cm. Always mount the adapter 6830.053 and 6930.050 in combination with the kit to install remote motor inside (800.991).

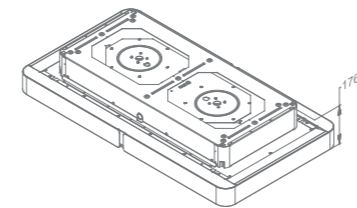


6830.053	Adaptor for Pureline. exhaust direction can be turned to the right, left, front or rear
6930.050	Adaptor for Pureline Pro. exhaust direction can be turned to the right, left, front or rear
830.053	Adaptor for Maxi Pureline (order 2x). Exhaust direction 1x left and 1x right
800.991	Kit to install the remote motor inside (Pureline Pro & Pureline)

Step 5 Type of motor

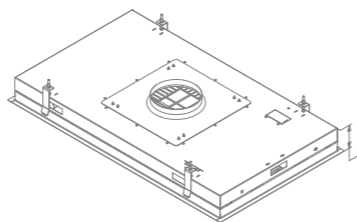
Cloud ceiling unit recirculation as standard

This ceiling unit is equipped with recirculation as standard and needs only to be screwed to the ceiling. It is not necessary create an opening in the ceiling.



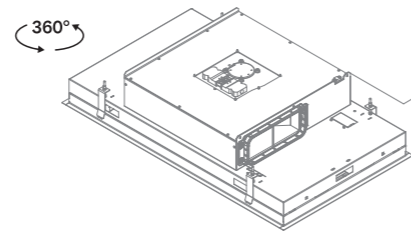
Ceiling unit motor not included

Models without a motor are combined with an interior motor, wall-mounted motor or flat roof motor



Ceiling unit with compact motor

The ceiling unit, including the compact motor, has a built-in height of only 19.5 cm. The exhaust can be turned to the right, left, front or rear. This motor cannot be removed.

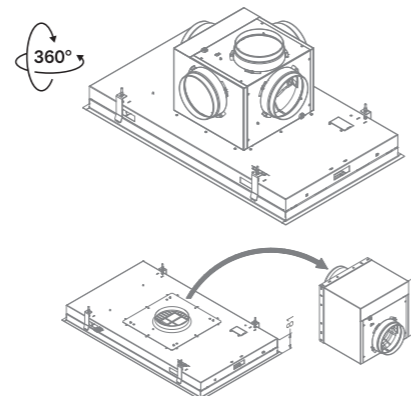


Ceiling unit with a Cubic motor

The integrated Cubic motor offers the necessary flexibility, because the exhaust can be rotated in all directions (right, left, front, rear or above).

With an optional kit (800.991), the Cubic motor can also be removed and placed elsewhere in the house. A 5 m cable (included) connects the ceiling unit with the motor.

If required, this cable can also be extended (optional). This extension cable is connected to the existing cable and has a length of 5 m.



Overview of ceiling units

Step 2

Step 1

		With light	Without light		
Novy Pureline 90 cm	Stainless steel	Compact motor, with LED strip	6910		
	Stainless steel	Compact motor, with LED spots	6810		
	Stainless steel	Cubic motor, with LED strip	6930		
	Stainless steel	Cubic motor, with LED spots	6830	Cubic motor	6833
	Stainless steel	Motor not included, with LED spots	6835	Motor not included	6838
	White	Compact motor, with LED strip	6911		
	White	Compact motor, with LED spots	6811		
	White	Cubic motor, with LED strip	6931		
	White	Cubic motor, with LED spots	6831	Cubic motor	6834
	White	Motor not included, with LED spots	6836	Motor not included	6839
	Mineral Black	Compact motor, with LED strip	6912		
	Mineral Black	Compact motor, with LED spots	6812		
	Mineral Black	Cubic motor, with LED strip	6932		
Novy Pureline 120 cm	Stainless steel	Compact motor, with LED strip	6920		
	Stainless steel	Compact motor, with LED spots	6820		
	Stainless steel	Cubic motor, with LED strip	6940		
	Stainless steel	Cubic motor, with LED spots	6840	Cubic motor	6843
	Stainless steel	Motor not included, with LED spots	6845	Motor not included	6848
	White	Compact motor, with LED strip	6921		
	White	Compact motor, with LED spots	6821		
	White	Cubic motor, with LED strip	6941		
	White	Cubic motor, with LED spots	6841	Cubic motor	6844
	White	Motor not included, with LED spots	6846	Motor not included	6849
	Mineral Black	Compact motor, with LED strip	6922		
	Mineral Black	Compact motor, with LED spots	6822		
	Mineral Black	Cubic motor, with LED strip	6942		
Novy Maxi Pureline 150 cm	Stainless steel		Motor not included	855	
	White		Motor not included	856	
Novy Cloud 110 cm	White	Motor, recirculation	230		
	Mineral Black	Motor, recirculation	232		



Novy Cloud

- Fine lines for pure design
- Adjustable light intensity and colour temperature from 2,700 K to 5,000 K
- Recirculation as standard for additional planning options (carbon filter with a life span of up to 900 cooking hours)
- Limited installation height of only 17.6 cm
- Extended lighting function for the right amount of light and atmosphere during and after cooking (cooking mode and mood mode)
- Operation and settings possible via smartphone or tablet (Novy Connect), as well as via remote control



Distance
Maximum distance between cooker hood and hob.



InTouch
Standard with function for controlling the cooker hood from the hob.



Recirculation
Standard with recirculation.



Novy Connect
Operation and settings possible via smartphone or tablet.



Width (cm)	Motor	Colour	Flow setting 4 (m³/h)	Sound level during normal use in dB(A) (re 1 pW)		Ref.
				Minimum	Maximum	
110	Integrated	White	504	49	68	230
	Integrated	Mineral Black	504	49	68	232

Noise levels measured in accordance with IEC 60704-2-13 standards, flow rates according to IEC 61591.



Video
Novy Cloud



Technical specifications



Novy Cloud
230 white / 232 Mineral Black

Functions	
Controls	Remote control (black) / Novy Connect
Number of speed settings	4
With noise reduction	•
Recirculation	• (monoblock)
InTouch function for hobs	•
Auto-Stop, automatic switch-off after 3 hours	•
Run-on timer (min.)	30
Cleaning indicator for grease filter	•
Replacement indicator for recirculation filter	•

Lighting	
Type of lighting (W)	LED strip (33) / dimmable
Lighting colour cooking mode (K)	Default setting 4,000 (adjustable between 2,700 and 5,000)
Lighting colour ambient mode (K)	Default setting 2,700 (adjustable between 2,700 and 5,000)

Technical characteristics	
Colour	230 white (≈RAL 9003) 232 Mineral Black (≈RAL 9005)
Integrated motor	• (not removable)
Weight cooker hood (kg)	35,5
Mains voltage (V) / Electrical connection value (W)	230 / 175

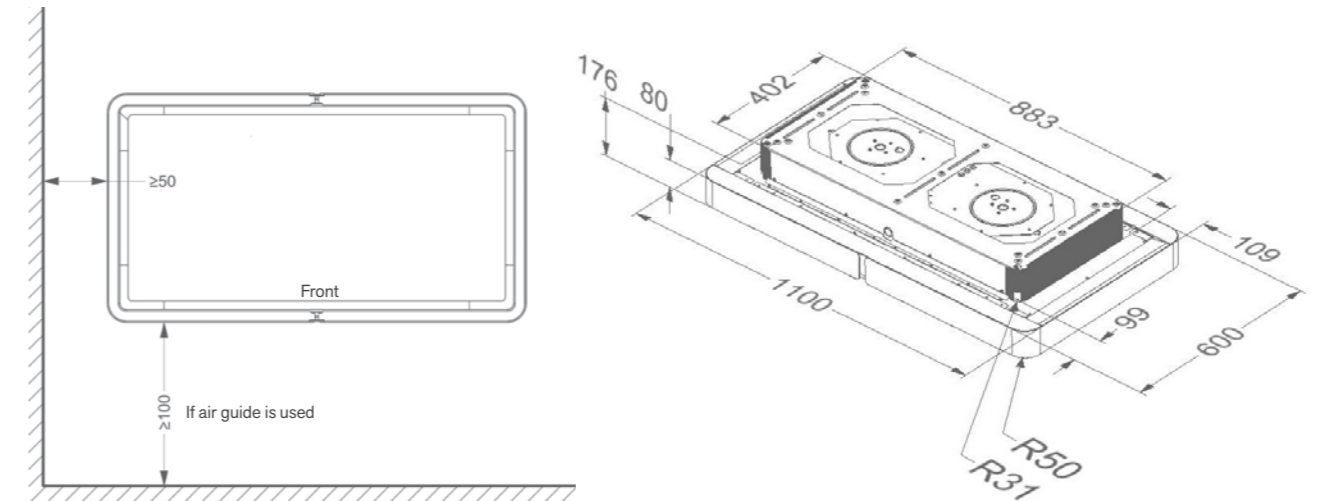
Dimensions	
Dimensions (W×D×H) (mm)	1100×600×176
Exhaust position	Left and right
Recommended installation height with an induction cooker (Hmin–Hmax) (mm)	600–1600
Recommended installation height with an electric or ceramic cooker (Hmin–Hmax) (mm)	600–1600
Recommended installation height with a gas cooker (Hmin–Hmax) (mm)	650–1600

Air quantity and sound level

Type	Maximum free flow rate (m ³ /h)	Air quantity (m ³ /h) / pressure (Pa)				Noise level dB(A) sound pressure (re20μPa) / sound power (re 1pW)				
		Setting I	Setting II	Setting III	Setting IV	Setting I	Setting II	Setting III	Setting IV	
230 232	Integrated motor	1010	187	272	343	504	37 / 49	42 / 54	48 / 60	56 / 68

Noise levels measured in accordance with IEC 60704-2-13 standards, flow rates according to IEC 61591.

Technical drawings



The minimum distance from the left and/or right side of the Cloud to a wall or window may not be less than 50 cm.

Use the supplied air guide if the distance between the left and/or right side of the cooker hood and a wall or window is 50 to 100 cm. At the front of the cooker hood, where the air is blown out, the distance to the wall must then be at least 100 cm.

Video
Installation video



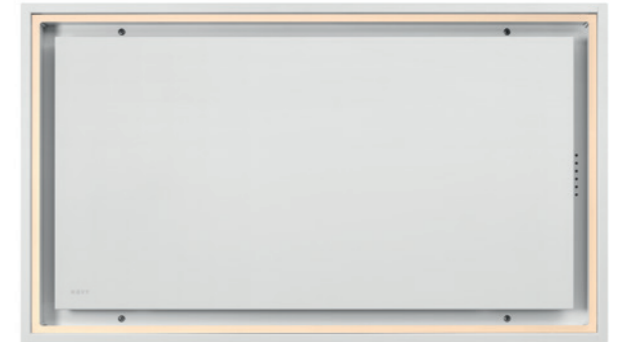
Accessories

	Reference	230	232
Miscellaneous			
Monoblock replacement filters (set per 4)	230.060	•	•
Grease filter (replacement) (2 pcs to order)	230.020	•	•
Remote control (white)	840.029	•	•
Mounting frame Mineral Black	230.520	•	
Mounting frame white	230.510		•



Novy Pureline Pro Compact

- A built-in height of only 19.5 cm thanks to a compact motor
- Flexible installation possibilities due to rotating motor in several directions (left, right, front or rear)
- Maximum efficiency yet extremely quiet
- LED lighting warm white (2,700 K) adjustable to neutral white (5,000 K)
- Ultra slim led strip with extensive lighting function for the right amount of light and atmosphere during and after cooking (cooking mode and ambient mode)
- Automatic speed control with the Novy Sense sensor for detection of cooking vapours and odour (optional)
- Operation and settings possible via smartphone or tablet (Novy Connect), as well as via remote control
- Recirculation optional: carbon filter with a life span of up to 900 cooking hours



Distance
Maximum distance between cooker hood and hob.



InTouch
Standard with function for controlling the cooker hood from the hob.



Recirculation
Recirculation is optional.



Novy Connect
Operation and settings possible via smartphone or tablet.



Width (cm)	Motor	Colour	EEI	Flow power function (m³/h)	Sound level during normal use in dB(A) (re 1 pW)		Ref.
					Minimum	Maximum	
90	Integrated, compact motor	Stainless steel	B	618	41	62	6910
	Integrated, compact motor	White	B	618	41	62	6911
	Integrated, compact motor	Mineral Black	B	618	41	62	6912
120	Integrated, compact motor	Stainless steel	B	619	41	62	6920
	Integrated, compact motor	White	B	619	41	62	6921
	Integrated, compact motor	Mineral Black	B	619	41	62	6922

Noise levels measured in accordance with IEC 60704-2-13 standards, flow rates according to IEC 61591.



Video
Novy Pureline Pro Compact

Technical specifications



Novy Pureline Pro Compact 90 cm
6910 stainless steel / 6911 white / 6912 Mineral Black



Novy Pureline Pro Compact 120 cm
6920 stainless steel / 6921 white / 6922 Mineral Black

Functions

Controls	Remote control (black) + Novy Connect	Remote control (black) + Novy Connect
Number of speed settings	3 + power function	3 + power function
Power setting with automatic downshift (min.)	6	6
Automatic speed control via Novy Sense sensor	Optional (6910.070)	Optional (6910.070)
With noise reduction	•	•
Recirculation	Optional (monoblock)	Optional (monoblock)
InTouch function for hobs	•	•
Auto-Stop, automatic switch-off after 3 hours	•	•
Run-on timer (min.)	10	10
Cleaning indicator for grease filter	•	•
Replacement indicator for recirculation filter	•	•

Lighting

Type of lighting (W)	LED (20) / dimmable	LED (21) / dimmable
Lighting colour cooking mode (K)	Default setting 4,000 (adjustable between 2,700 and 5,000)	Default setting 4,000 (adjustable between 2,700 and 5,000)
Lighting colour ambient mode (K)	Default setting 2,700 (adjustable between 2,700 and 5,000)	Default setting 2,700 (adjustable between 2,700 and 5,000)

Technical characteristics

Colour	6910 stainless steel 6911 white (≈RAL 9003) 6912 Mineral Black (≈RAL 9005)	6920 stainless steel 6921 white (≈RAL 9003) 6922 Mineral Black (≈RAL 9005)
Integrated motor	• (not removable)	• (not removable)
Weight cooker hood (kg)	29	32
Mains voltage (V) / Electrical connection value (W)	230 / 210	230 / 210

Dimensions

Dimensions (W×D×H) (mm)	868×508×195	1168×508×195
Opening (L×W) (mm)	845×485	1145×485
Exhaust opening diameter (mm)	89×222	89×222
Exhaust position	Right / left / front / rear	Right / left / front / rear
Recommended installation height with an induction cooker (Hmin–Hmax) (mm)	600–1600	600–1600
Recommended installation height with an electric or ceramic cooker (Hmin–Hmax) (mm)	600–1600	600–1600
Recommended installation height with a gas cooker (Hmin–Hmax) (mm)	650–1600	650–1600

Air quantity and sound level

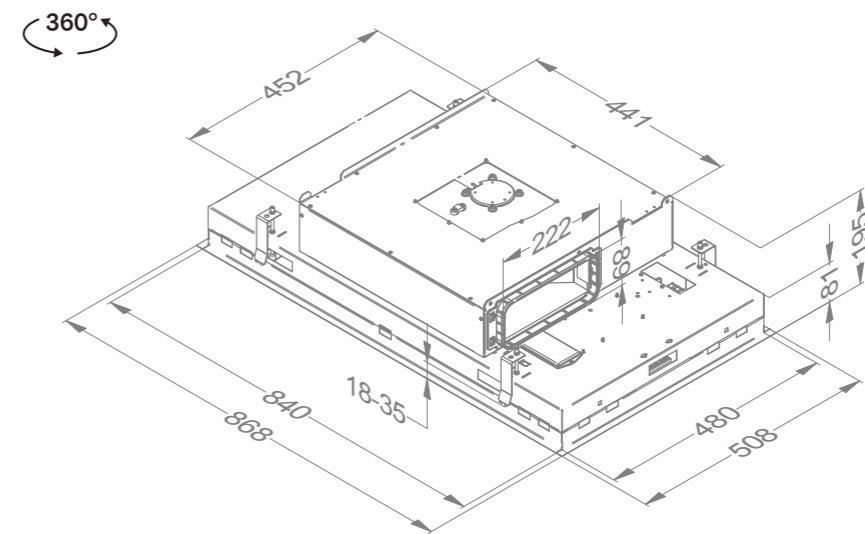
Type	Maximum flow rate (m ³ /h)	Air quantity (m ³ /h) / pressure (Pa)				Noise level dB(A) sound pressure (re20μPa) / sound power (re 1pW)			
		Setting I	Setting II	Setting III	Power setting	Setting I	Setting II	Setting III	Power setting
6910, 6911, 6912 Integrated motor	750	257 / 52	474 / 192	550 / 272	618 / 478	29 / 41	44 / 57	48 / 62	50 / 63
6920, 6921, 6922 Integrated motor	750	251 / 50	468 / 187	548 / 267	619 / 506	28 / 41	45 / 57	50 / 62	51 / 63

Noise levels measured in accordance with IEC 60704-2-13 standards, flow rates according to IEC 61591.

Technical drawings

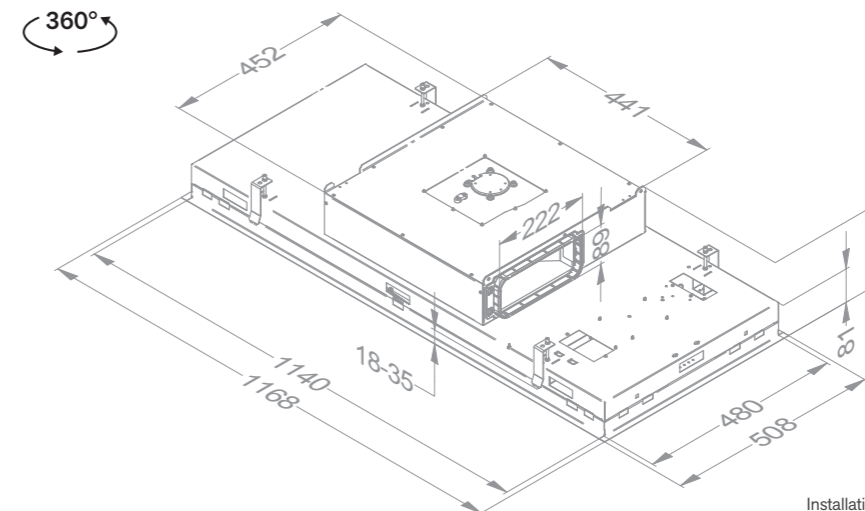
Novy Pureline Pro Compact 90 cm

6910 / 6911 / 6912



Novy Pureline Pro Compact 120 cm

6920 / 6921 / 6922



Video
Installation video



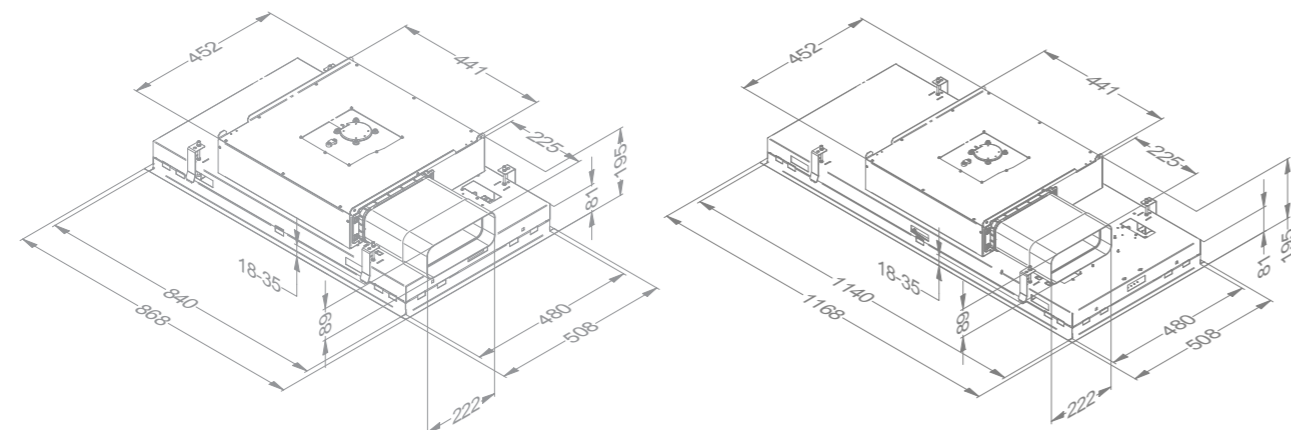
Accessories

	Reference	6910	6911	6912	6920	6921	6922
Miscellaneous							
Grease filter (replacement) (2 pcs to order)	6830.020	•	•	•	•	•	•
Input / output module	990.036	•	•	•	•	•	•
Flat flexible tube (89×222×750 mm)	906.408	•	•	•	•	•	•
Kit Novy Sense sensor for automatic speed control upon detection of cooking fumes and odour	6910.070	•	•	•	•	•	•
Remote control (white)	840.029	•	•	•	•	•	•



Technical drawings

Novy Pureline Pro Compact 90 cm with kit Novy Sense 6910.070 (optional) Novy Pureline Pro Compact 120 cm with kit Novy Sense 6910.070 (optional)



ACCESSORIES

	Reference	6910	6911	6912	6920	6921	6922
Recirculation with exhaust box							
Exhaust box with monoblock filter (500×295×270 mm)							
White (≈RAL 9003)	841.400	•	•	•	•	•	•
Mineral Black (≈RAL 9005)	842.400	•	•	•	•	•	•
Grey (≈RAL 7030)	843.400	•	•	•	•	•	•
Monoblock replacement filter for exhaust box 841.400, 842.400 and 843.400	830.055	•	•	•	•	•	•
Low built-in box (140 mm high) with monoblock filter (820×292×140 mm)							
White (≈RAL 9003)	7931.400	•	•	•	•	•	•
Mineral Black (≈RAL 9005)	7932.400	•	•	•	•	•	•
Grey (≈RAL 7030)	7933.400	•	•	•	•	•	•
Monoblock replacement filter for exhaust box 7931.400, 7932.400 and 7933.400 (2 pcs to order)	7900.055	•	•	•	•	•	•

Technical details recirculationboxes see p. 224-225



Novy Pureline Compact



- A built-in height of only 19.5 cm thanks to a compact motor
- Flexible installation possibilities due to rotating motor in several directions (left, right, front or rear)
- Maximum efficiency yet extremely quiet
- LED lighting warm white (2,700 K) adjustable to neutral white (4,000 K)
- Integrated dimmable LED lighting
- Recirculation optional: carbon filter with a life span of up to 900 cooking hours



Distance
Maximum distance between cooker hood and hob.



InTouch
Standard with function for controlling the cooker hood from the hob.



Recirculation
Recirculation is optional.



Width (cm)	Motor	Colour	EEI	Flow power function (m³/h)	Sound level during normal use in dB(A) (re 1 pW)		Ref.
					Minimum	Maximum	
90	Integrated, compact motor	Stainless steel	B	650	38	59	6810
	Integrated, compact motor	White	B	650	38	59	6811
	Integrated, compact motor	Mineral Black	B	650	38	59	6812
120	Integrated, compact motor	Stainless steel	B	651	38	59	6820
	Integrated, compact motor	White	B	651	38	59	6821
	Integrated, compact motor	Mineral Black	B	651	38	59	6822

Noise levels measured in accordance with IEC 60704-2-13 standards, flow rates according to IEC 61591.



Technical specifications



Novy Pureline Compact 90 cm
6810 stainless steel / 6811 white / 6812 Mineral Black



Novy Pureline Compact 120 cm
6820 stainless steel / 6821 white / 6822 Mineral Black

Functions

Controls	Buttons + remote control (white)	Buttons + remote control (white)
Number of speed settings	3 + power function	3 + power function
Power setting with automatic downshift (min.)	6	6
With noise reduction	•	•
Recirculation	Optional (monoblock)	Optional (monoblock)
InTouch function for hobs	•	•
Auto-Stop, automatic switch-off after 3 hours	•	•
Run-on timer (min.)	10	10
Cleaning indicator for grease filter	•	•
Replacement indicator for recirculation filter	•	•

Lighting

Type of lighting (number/W)	LED (4×2) / dimmable	LED (4×2) / dimmable
Lighting colour (K)	2,700 or 4,000	2,700 or 4,000
External lighting to connect and operate with remote control	Optional (kit 990.030)	Optional (kit 990.030)

Technical characteristics

Colour	6810 stainless steel 6811 white (≈RAL 9003) 6812 Mineral Black (≈RAL 9005)	6820 stainless steel 6821 white (≈RAL 9003) 6822 Mineral Black (≈RAL 9005)
Integrated motor	• (not removable)	• (not removable)
Weight cooker hood / motor casing (kg)	27.8	30.8
Mains voltage (V) / Electrical connection value (W)	230 / 171	230 / 171

Dimensions

Dimensions (W×D×H) (mm)	868×508×195	1168×508×195
Opening (L×W) (mm)	845×485	1145×485
Exhaust opening diameter (mm)	89×222	89×222
Exhaust position	Right / left / front / rear	Right / left / front / rear
Recommended installation height with an induction cooker (Hmin–Hmax) (mm)	600–1600	600–1600
Recommended installation height with an electric or ceramic cooker (Hmin–Hmax) (mm)	600–1600	600–1600
Recommended installation height with a gas cooker (Hmin–Hmax) (mm)	650–1600	650–1600

Air quantity and sound level

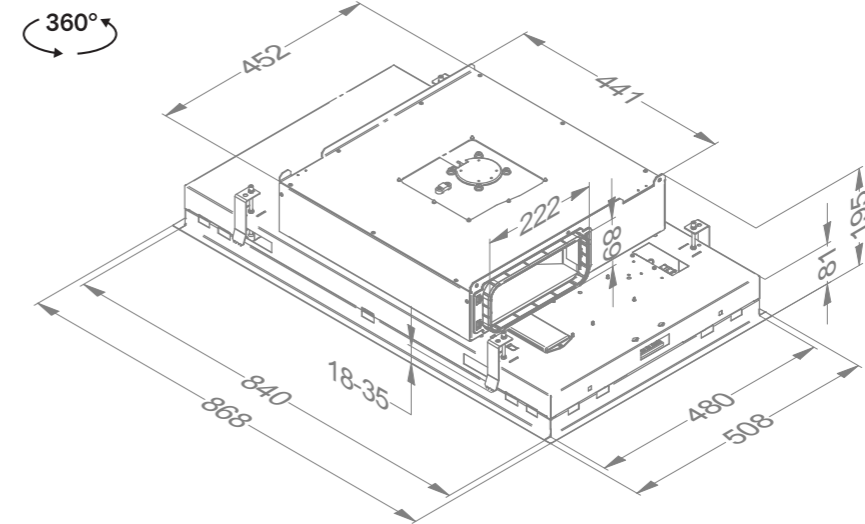
Type	Maximum flow rate (m³/h)	Air quantity (m³/h) / pressure (Pa)				Noise level dB(A) sound pressure (re20µPa) / sound power (re 1pW)			
		Setting I	Setting II	Setting III	Power setting	Setting I	Setting II	Setting III	Power setting
6810, 6811, 6812 Integrated motor	750	244 / 40	443 / 142	581 / 266	650 / 483	27 / 38	40 / 52	47 / 59	51 / 63
6820, 6821, 6822 Integrated motor	750	240 / 40	444 / 140	582 / 265	651 / 484	27 / 38	40 / 52	47 / 59	51 / 63

Noise levels measured in accordance with IEC 60704-2-13 standards, flow rates according to IEC 61591.

Technical drawings

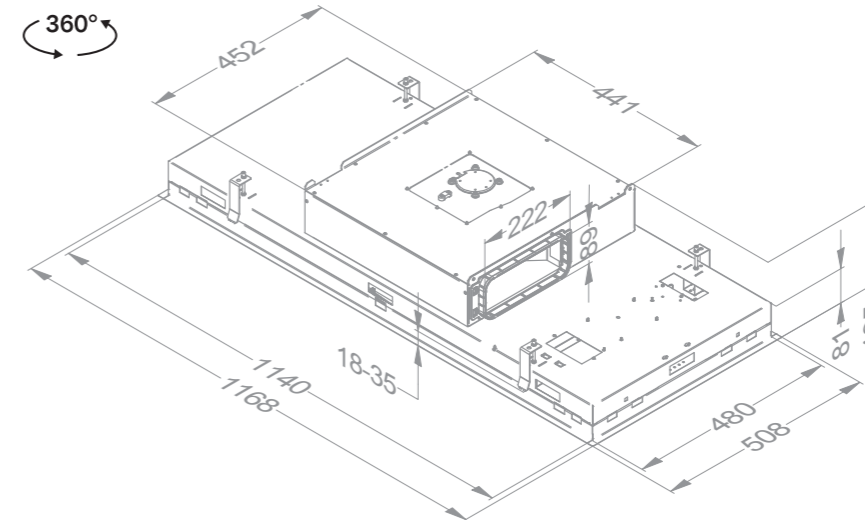
Novy Pureline Compact 90 cm

6810 / 6811 / 6812



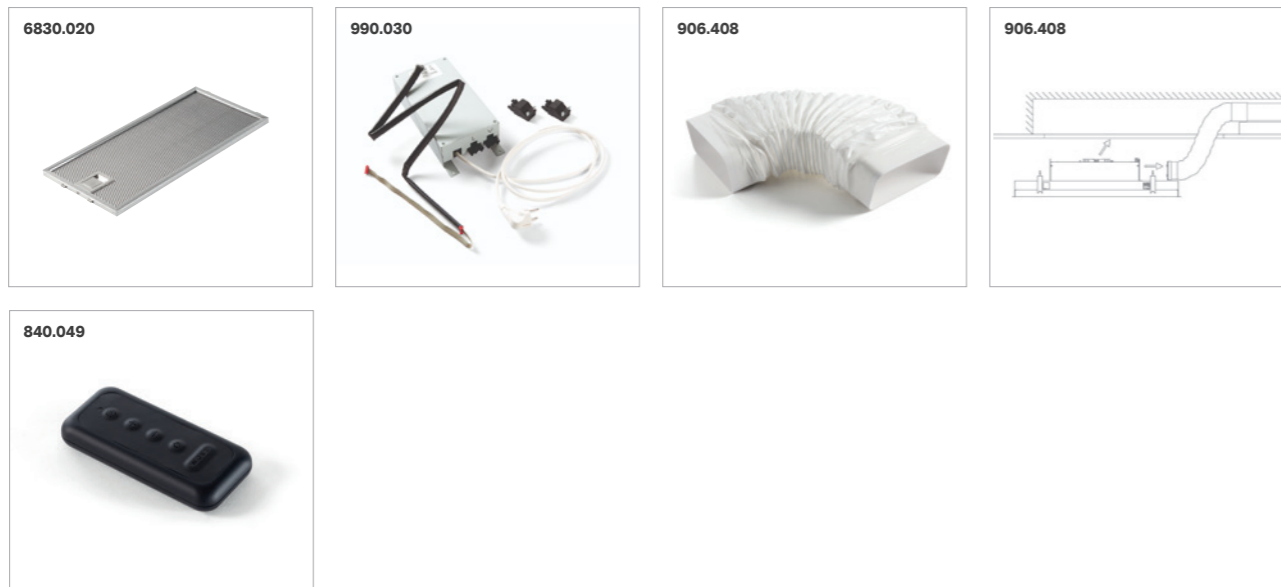
Novy Pureline Compact 120 cm

6820 / 6821 / 6822



Accessories

	Reference	6810	6811	6812	6820	6821	6822
Miscellaneous							
Grease filter (replacement) (2 pcs to order)	6830.020	•	•	•	•	•	•
Kit connection with external cover and/or lighting	990.030	•	•	•	•	•	•
Flat flexible tube (89×222×750 mm)	906.408	•	•	•	•	•	•
Remote control (black)	840.049	•	•	•	•	•	•



Accessories

	Reference	6810	6811	6812	6820	6821	6822
Recirculation with exhaust box							
Exhaust box with monoblock filter (500×295×270 mm)							
White (≈RAL 9003)	841.400	•	•	•	•	•	•
Mineral Black (≈RAL 9005)	842.400	•	•	•	•	•	•
Grey (≈RAL 7030)	843.400	•	•	•	•	•	•
Monoblock replacement filter for exhaust box 841.400, 842.400 and 843.400	830.055	•	•	•	•	•	•
Low built-in box (140 mm high) with monoblock filter (820×292×140 mm)							
White (≈RAL 9003)	7931.400	•	•	•	•	•	•
Mineral Black (≈RAL 9005)	7932.400	•	•	•	•	•	•
Grey (≈RAL 7030)	7933.400	•	•	•	•	•	•
Monoblock replacement filter for exhaust box 7931.400, 7932.400 and 7933.400 (2 pcs to order)	7900.055	•	•	•	•	•	•

Technical details recirculationboxes see p. 224-225



Novy Pureline Pro

- Maximum efficiency yet extremely quiet
- LED lighting warm white (2,700 K) adjustable to neutral white (5,000 K)
- Ultra slim led strip with extensive lighting function for the right amount of light and atmosphere during and after cooking (cooking mode and ambient mode)
- Automatic speed control with the Novy Sense sensor for detection of cooking vapours and odour (optional)
- With a Cubic motor; which can be rotated in all directions and with optional kit removable for indoor installation
- Operation and settings possible via smartphone or tablet (Novy Connect), as well via remote control
- Recirculation optional: carbon filter with a life span of up to 900 cooking hours



Distance
Maximum distance between cooker hood and hob.



InTouch
Standard with function for controlling the cooker hood from the hob.



Recirculation
Recirculation is optional.



Novy Connect
Operation and settings possible via smartphone or tablet.



In option



Sound level during normal use in dB(A) (re 1 pW)

Width (cm)	Motor	Colour	EEI	Flow power function (m³/h)	Sound level during normal use in dB(A) (re 1 pW)		Ref.
					Minimum	Maximum	
90	Integrated, cubic motor or remotely inside ⁽²⁾	Stainless steel	A	713	41	59	6930
	Integrated, cubic motor or remotely inside ⁽²⁾	White	A	713	41	59	6931
	Integrated, cubic motor or remotely inside ⁽²⁾	Mineral Black	A	713	41	59	6932
120	Integrated, cubic motor or remotely inside ⁽²⁾	Stainless steel	A	714	39	59	6940
	Integrated, cubic motor or remotely inside ⁽²⁾	White	A	714	39	59	6941
	Integrated, cubic motor or remotely inside ⁽²⁾	Mineral Black	A	714	39	59	6942

Noise levels measured in accordance with IEC 60704-2-13 standards, flow rates according to IEC 61591.

(2) To install the motor remotely, you should order the additional accessory 800.991.

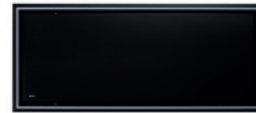
Video
Novy Pureline Pro



Technical specifications



Novy Pureline Pro 90 cm
6930 stainless steel / 6931 white / 6932 Mineral Black



Novy Pureline Pro 120 cm
6940 stainless steel / 6941 white / 6942 Mineral Black

Functions

Controls	Remote control (black) + Novy Connect	Remote control (black) + Novy Connect
Number of speed settings	3 + power function	3 + power function
Power setting with automatic downshift (min.)	6	6
Automatic speed control via Novy Connect	Optional (6930.060)	Optional (6930.060)
With noise reduction	•	•
Recirculation	Optional (monoblock)	Optional (monoblock)
InTouch function for hobs	•	•
Auto-Stop, automatic switch-off after 3 hours	•	•
Run-on timer (min.)	10	10
Cleaning indicator for grease filter	•	•
Replacement indicator for recirculation filter	•	•

Lighting

Type of lighting (W)	LED (20) / dimmable	LED (21) / dimmable
Lighting colour cooking mode (K)	Default setting 4,000 (adjustable between 2,700 and 5,000)	Default setting 4,000 (adjustable between 2,700 and 5,000)
Lighting colour ambient mode (K)	Default setting 2,700 (adjustable between 2,700 and 5,000)	Default setting 2,700 (adjustable between 2,700 and 5,000)

Technical characteristics

Colour	6930 stainless steel 6931 white (≈RAL 9003) 6932 Mineral Black (≈RAL 9005)	6940 stainless steel 6941 white (≈RAL 9003) 6942 Mineral Black (≈RAL 9005)
Integrated motor	•	•
Possibility to remotely place the motor indoors	Optional (kit 800.991)	Optional (kit 800.991)
Weight cooker hood / motor casing (kg)	23 / 6	26 / 6
Mains voltage (V) / Electrical connection value (W)	230 / 230	230 / 230

Dimensions

Dimensions (W×D×H) (mm)	868×508×319	1168×508×319
Height of ceiling unit incl. mounting clamps (without the motor box) (mm)	133	133
Opening (L×W) (mm)	845×485	1145×485
Exhaust opening diameter (mm)	150	150
Exhaust position	Top / right / left / front / rear	Top / right / left / front / rear
Recommended installation height with an induction cooker (Hmin–Hmax) (mm)	600–1600	600–1600
Recommended installation height with an electric or ceramic cooker (Hmin–Hmax) (mm)	600–1600	600–1600
Recommended installation height with a gas cooker (Hmin–Hmax) (mm)	650–1600	650–1600

Air quantity and sound level

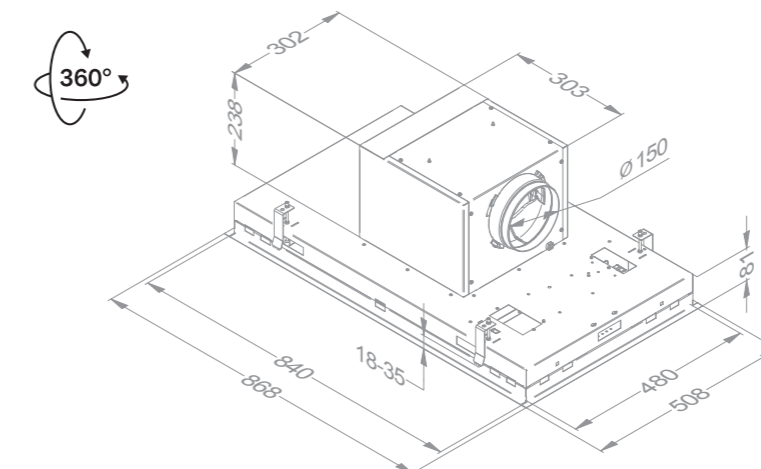
Type	Maximum flow rate (m³/h)	Air quantity (m³/h) / pressure (Pa)				Noise level dB(A) sound pressure (re20µPa) / sound power (re 1pW)			
		Setting I	Setting II	Setting III	Power setting	Setting I	Setting II	Setting III	Power setting
6930, 6931, 6932 Integrated motor	975	275 / 123	470 / 349	616 / 383	713 / 385	28 / 41	40 / 52	46 / 59	49 / 61
6940, 6941, 6942 Integrated motor	975	262 / 98	466 / 343	617 / 391	714 / 391	27 / 39	40 / 52	46 / 59	49 / 62

Noise levels measured in accordance with IEC 60704-2-13 standards, flow rates according to IEC 61591.

Technical drawings

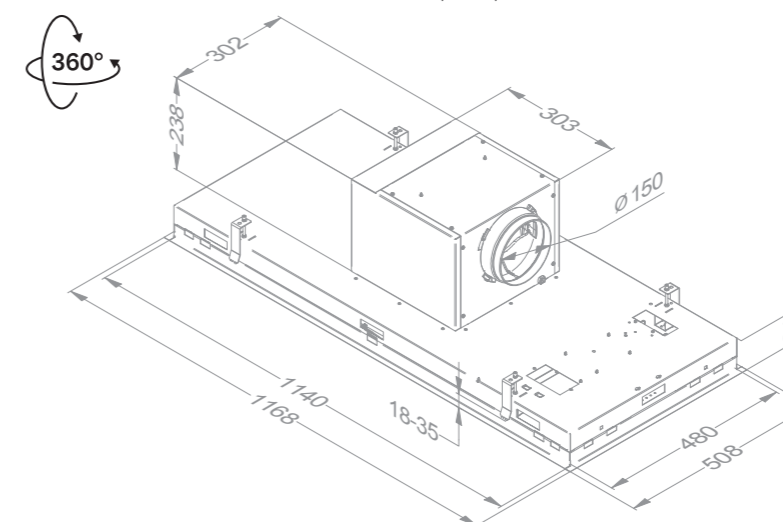
Novy Pureline Pro 90 cm

6930 / 6931 / 6932



Novy Pureline Pro 120 cm

6940 / 6941 / 6942



Video
Installation video



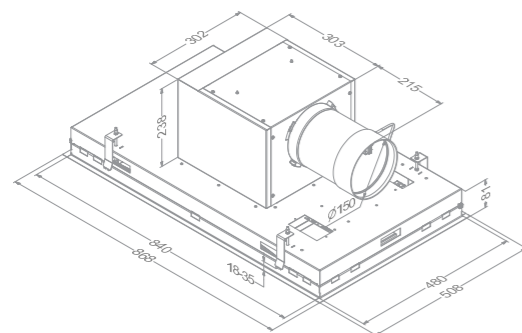
Accessories

	Reference	6930	6931	6932	6940	6941	6942
Miscellaneous							
Grease filter (replacement) (2 pcs to order)	6830.020	•	•	•	•	•	•
Kit to install the remote motor inside	800.991	•	•	•	•	•	•
Adapter to connect a flat duct (exhaust direction right, left, front, behind)	6930.050	•	•	•	•	•	•
Extension cable for remote motors (5 m)	7000.094	•	•	•	•	•	•
Input / output module	990.036	•	•	•	•	•	•
Kit Novy Sense sensor for automatic speed control upon detection of cooking fumes and odour (in case of recirculation, always in combination with the exhaust box)	6930.060	•	•	•	•	•	•
Remote control (white)	840.029	•	•	•	•	•	•

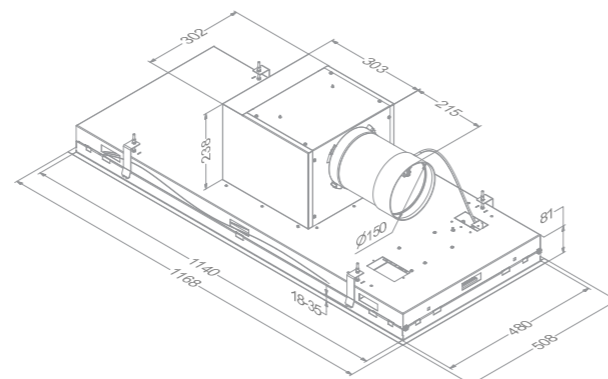


Technical drawings

Novy Pureline Pro 90 cm with kit Novy Sense 6930.060 (optional)



Novy Pureline Pro 120 cm with kit Novy Sense 6930.060 (optional)



Accessories

	Reference	6930	6931	6932	6940	6941	6942
Recirculation with exhaust box							
Exhaust box with monoblock filter (500x295x270 mm)							
White (≈RAL 9003)	841.400	•	•	•	•	•	•
Mineral Black (≈RAL 9005)	842.400	•	•	•	•	•	•
Grey (≈RAL 7030)	843.400	•	•	•	•	•	•
Monoblock replacement filter for exhaust box 841.400, 842.400 and 843.400	830.055	•	•	•	•	•	•
Low built-in box (140 mm high) with monoblock filter (820x292x140 mm)							
White (≈RAL 9003)	7931.400	•	•	•	•	•	•
Mineral Black (≈RAL 9005)	7932.400	•	•	•	•	•	•
Grey (≈RAL 7030)	7933.400	•	•	•	•	•	•
Monoblock replacement filter for exhaust box 7931.400, 7932.400 and 7933.400 (2 pcs to order)	7900.055	•	•	•	•	•	•

Technical details recirculationboxes see p. 224-225



Novy Pureline with lighting



- Maximum efficiency yet extremely quiet
- LED lighting warm white (2,700 K) adjustable to neutral white (4,000 K)
- Integrated dimmable LED lighting
- Flexible installation thanks to models:
 - With a Cubic motor; which can be rotated in all directions and with optional kit removable for indoor installation
 - Without a motor; for use with an external motor
- Recirculation optional: carbon filter with a life span of up to 900 cooking hours



Distance
Maximum distance between cooker hood and hob.



InTouch
Standard with function for controlling the cooker hood from the hob.



Recirculation
Recirculation is optional.



Width (cm)	Motor	Colour	EEI	Flow power function (m ³ /h)	Sound level during normal use in dB(A) (re 1 pW)		Ref.
					Minimum	Maximum	
90	Integrated Cubic motor or remote inside ⁽²⁾	Stainless steel	A+	634	34	55	6830
	Integrated Cubic motor or remote inside ⁽²⁾	White	A+	634	34	55	6831
	Not included ⁽¹⁾	Stainless steel		(1)	(1)	(1)	6835
	Not included ⁽¹⁾	White		(1)	(1)	(1)	6836
120	Integrated Cubic motor or remote inside ⁽²⁾	Stainless steel	A+	615	35	55	6840
	Integrated Cubic motor or remote inside ⁽²⁾	White	A+	615	35	55	6841
	Not included ⁽¹⁾	Stainless steel		(1)	(1)	(1)	6845
	Not included ⁽¹⁾	White		(1)	(1)	(1)	6846

Noise levels measured in accordance with IEC 60704-2-13 standards, flow rates according to IEC 61591.

(1) This model should be connected to a wall motor or roof motor (see accessories).
(2) To install the motor remotely, you should order the additional accessory 800.991.



Technical specifications



Novy Pureline 90 cm
6830 stainless steel /
6831 white /



Novy Pureline 90 cm
6835 stainless steel /
6836 white
Motor not included



Novy Pureline 120 cm
6840 stainless steel /
6841 white /



Novy Pureline 120 cm
6845 stainless steel /
6846 white
Motor not included

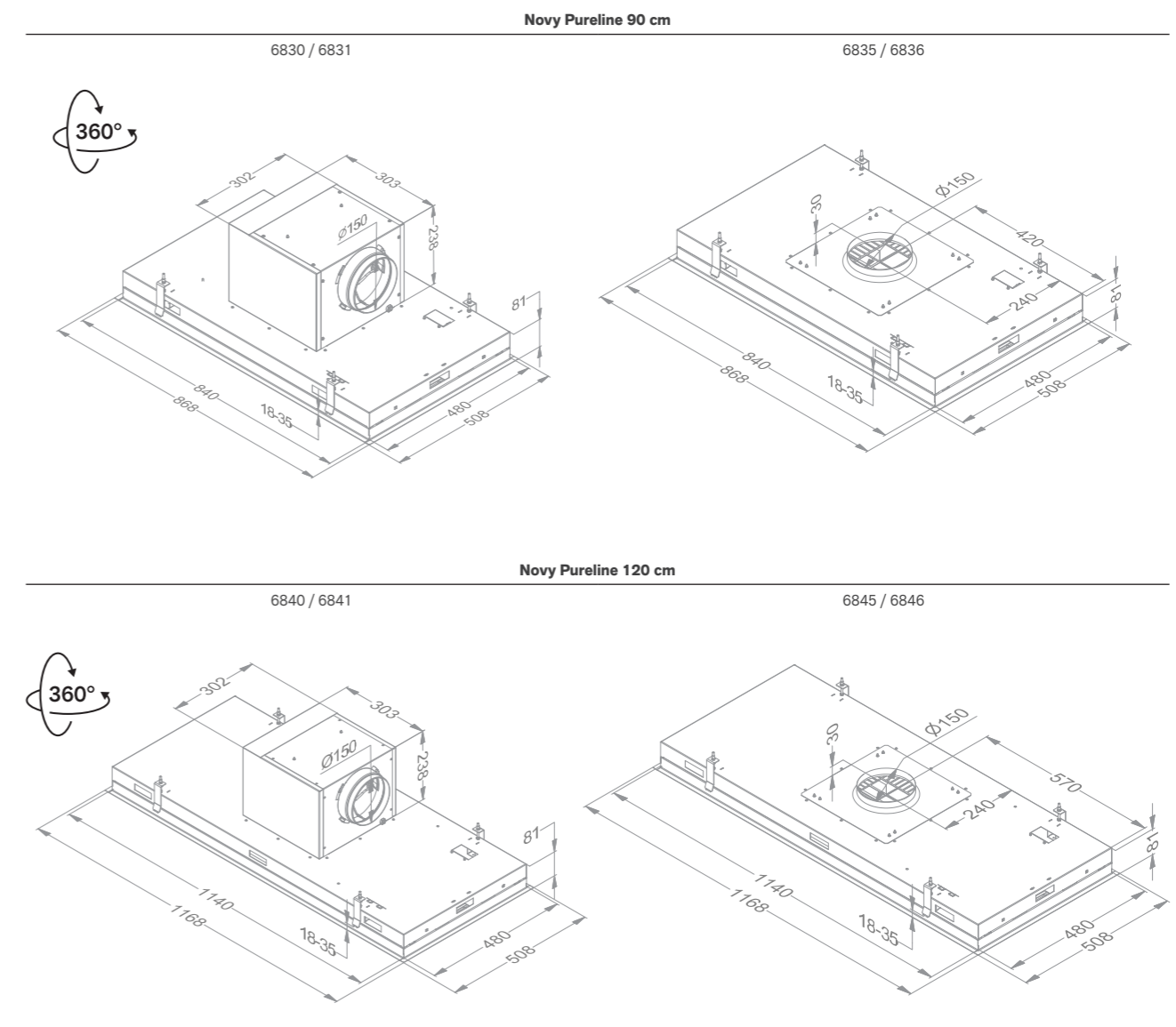
Functions				
Controls	Buttons + remote control (white)	Buttons + remote control (white)	Buttons + remote control (white)	Buttons + remote control (white)
Number of speed settings	3 + power function	3 + power function	3 + power function	3 + power function
Power setting with automatic downshift (min.)	6	6	6	6
With noise reduction	•		•	
Recirculation	Optional (monoblock)		Optional (monoblock)	
InTouch function for hobs	•	•	•	•
Auto-Stop, automatic switch-off after 3 hours	•	•	•	•
Run-on timer (min.)	10	10	10	10
Cleaning indicator for grease filter	•	•	•	•
Replacement indicator for recirculation filter	•		•	
Lighting				
Type of lighting (number/W)	LED (4x2) / dimmable	LED (4x2) / dimmable	LED (4x2) / dimmable	LED (4x2) / dimmable
Lighting colour (K)	2,700 or 4,000	2,700 or 4,000	2,700 or 4,000	2,700 or 4,000
External lighting to connect and operate with remote control	Optional (kit 990.030)	Optional (kit 990.030)	Optional (kit 990.030)	Optional (kit 990.030)
Technical characteristics				
Colour	6830 stainless steel 6831 white (≈RAL 9003)	6835 stainless steel 6836 white (≈RAL 9003)	6840 stainless steel 6841 white (≈RAL 9003)	6845 stainless steel 6846 white (≈RAL 9003)
Integrated motor	•		•	
Option to install the remote motor inside	Optional (kit 800.991)		Optional (kit 800.991)	
Motor not included (suitable for wall motor, flat roof motor outside)		• ⁽¹⁾		• ⁽¹⁾
Weight cooker hood / motor casing (kg)	21.5 / 6	16.5 + motor	24.5 / 6	19.5 + motor
Mains voltage (V) / Electrical connection value (W)	230 / 117	230 / 13 + motor	230 / 118	230 / 13 + motor
Dimensions				
Dimensions (WxDxH) (mm)	868x508x319	868x508x81	1168x508x319	1168x508x81
Height of ceiling unit including mounting clamps (without the motor box) (mm)	133	133	133	133
Opening (LxW) (mm)	845x485	845x485	1145x485	1145x485
Exhaust opening diameter (mm)	150	150	150	150
Exhaust position	Top / right / left / front / rear	Top	Top / right / left / front / rear	Top
Recommended installation height with an induction cooker (Hmin-Hmax) (mm)	600-1600	600-1600	600-1600	600-1600
Recommended installation height with an electric or ceramic cooker (Hmin-Hmax) (mm)	600-1600	600-1600	600-1600	600-1600
Recommended installation height with a gas cooker (Hmin-Hmax) (mm)	650-1600	650-1600	650-1600	650-1600

Air quantity and sound level

Ref.	Maximum flow rate (m³/h)	Air quantity (m³/h) / pressure (Pa)				Noise level dB(A) sound pressure (re20µPa) / sound power (re 1pW)				
		Setting I	Setting II	Setting III	Power setting	Setting I	Setting II	Setting III	Power setting	
6830, 6831	Integrated motor	815	234 / 66	416 / 238	549 / 381	634 / 379	22 / 34	35 / 48	42 / 55	46 / 59
6835, 6836	Not included	(1)	(1)	(1)	(1)	(1)	(1)	(1)	(1)	(1)
6840, 6841	Integrated motor	815	246 / 84	407 / 251	535 / 382	615 / 384	24 / 35	35 / 47	42 / 55	46 / 58
6845, 6846	Not included	(1)	(1)	(1)	(1)	(1)	(1)	(1)	(1)	(1)

Noise levels measured in accordance with IEC 60704-2-13 standards, flow rates according to IEC 61591.

Technical drawings



(1) These models should be connected to a wall motor or roof motor (see accessories). The air volume/noise level depends on the type of motor and installation.

(1) These models should be connected to a wall motor or roof motor (see accessories). The air volume/noise level depends on the type of motor and installation.

Accessories

Reference	6830	6831	6835	6836	6840	6841	6845	6846
Motor at a distance								
Remote motor for inside	245.999		•	•			•	•
Wall motor, minimum 5 m between cooker hood and motor	445.999		•	•			•	•
Roof motor 48.8 cm height	745.999		•	•			•	•
Roof motor with noise reduction 78.4 cm height	755.999		•	•			•	•
Technical details motors see p. 226-227								
Miscellaneous								
Grease filter (replacement) (2 pcs to order)	6830.020	•	•	•	•	•	•	•
Kit to install the remote motor inside	800.991	•	•			•		
Adapter to connect a flat duct (exhaust direction right, left, front, behind)	6830.053	•	•	•	•	•	•	•
Extension cable for remote motors (5 m)	7000.092			•	•		•	•
Extension cable for remote motors (5 m)	7000.094	•	•			•		
Kit connection with external cover and/or lighting	990.030	•	•	•	•	•	•	•
Remote control (black)	840.049	•	•	•	•	•	•	•

Accessories

Reference	6830	6831	6835	6836	6840	6841	6845	6846
Recirculation with exhaust box								
Exhaust box with monoblock filter (500x295x270 mm)								
White (≈RAL 9003)	841.400	•	•		•	•		
Mineral Black (≈RAL 9005)	842.400	•	•		•	•		
Grey (≈RAL 7030)	843.400	•	•		•	•		
Monoblock replacement filter for exhaust box 841.400, 842.400 and 843.400								
	830.055	•	•		•	•		
Low built-in box (140 mm high) with monoblock filter (820x292x140 mm)								
White (≈RAL 9003)	7931.400	•	•		•	•		
Mineral Black (≈RAL 9005)	7932.400	•	•		•	•		
Grey (≈RAL 7030)	7933.400	•	•		•	•		
Monoblock replacement filter for exhaust box 7931.400, 7932.400 and 7933.400 (2 pcs to order)								
	7900.055	•	•		•	•		
Technical details recirculationboxes see p. 224-225								
Recirculation without exhaust box								
Monoblock filter (also replacement)	6830.060	•	•		•	•		



Novy Pureline without lighting



- Maximum efficiency yet extremely quiet
- Flexible installation thanks to models:
 - With a Cubic motor; which can be rotated in all directions and with optional kit removable for indoor installation
 - Without a motor; for use with an external motor
- No lighting, to suit your own lighting plan
- External lighting can be connected through the cooker hood and controlled via the cooker hood and/or remote control
- Recirculation optional: carbon filter with a life span of up to 900 cooking hours



Distance
Maximum distance between cooker hood and hob.



InTouch
Standard with function for controlling the cooker hood from the hob.



Recirculation
Recirculation is optional.



Width (cm)	Motor	Colour	EEI	Flow power function (m ³ /h)	Sound level during normal use in dB(A) (re 1 pW)		Ref.
					Minimum	Maximum	
90	Integrated Cubic motor / remote inside ⁽²⁾	Stainless steel	A++	624	35	55	6833
	Integrated Cubic motor / remote inside ⁽²⁾	White	A++	624	35	55	6834
	Not included ⁽¹⁾	Stainless steel		(1)	(1)	(1)	6838
	Not included ⁽¹⁾	White		(1)	(1)	(1)	6839
120	Integrated Cubic motor / remote inside ⁽²⁾	Stainless steel	A++	611	36	55	6843
	Integrated Cubic motor / remote inside ⁽²⁾	White	A++	611	36	55	6844
	Not included ⁽¹⁾	Stainless steel		(1)	(1)	(1)	6848
	Not included ⁽¹⁾	White		(1)	(1)	(1)	6849

Noise levels measured in accordance with IEC 60704-2-13 standards, flow rates according to IEC 61591.

(1) This model should be connected to a wall motor or roof motor (see accessories).
(2) To install the motor remotely, you should order the additional accessory 800.991.



Technical specifications



Novy Pureline 90 cm
6833 stainless steel /
6834 white



Novy Pureline 90 cm
6838 stainless steel /
6839 white
Motor not included



Novy Pureline 120 cm
6843 stainless steel /
6844 white



Novy Pureline 120 cm
6848 stainless steel /
6849 white
Motor not included

Functions	Buttons + remote control (white)	Buttons + remote control (white)	Buttons + remote control (white)	Buttons + remote control (white)
Controls	Buttons + remote control (white)	Buttons + remote control (white)	Buttons + remote control (white)	Buttons + remote control (white)
Number of speed settings	3 + power function	3 + power function	3 + power function	3 + power function
Power setting with automatic downshift (min.)	6	6	6	6
With noise reduction	•		•	
Recirculation	Optional (monoblock)		Optional (monoblock)	
InTouch function for hobs	•	•	•	•
Auto-Stop, automatic switch-off after 3 hours	•	•	•	•
Run-on timer (min.)	10	10	10	10
Cleaning indicator for grease filter	•	•	•	•
Replacement indicator for recirculation filter	•		•	

Lighting	Max. 300 (or with relay >300)	Max. 300 (or with relay >300)	Max. 300 (or with relay >300)	Max. 300 (or with relay >300)
External lighting to connect and operate with remote control (W)	Max. 300 (or with relay >300)	Max. 300 (or with relay >300)	Max. 300 (or with relay >300)	Max. 300 (or with relay >300)

Technical characteristics	6833 stainless steel 6834 white (≈RAL 9003)	6838 stainless steel 6839 white (≈RAL 9003)	6843 stainless steel 6844 white (≈RAL 9003)	6848 stainless steel 6849 white (≈RAL 9003)
Colour	6833 stainless steel 6834 white (≈RAL 9003)	6838 stainless steel 6839 white (≈RAL 9003)	6843 stainless steel 6844 white (≈RAL 9003)	6848 stainless steel 6849 white (≈RAL 9003)
Integrated motor	•		•	
Option to install the remote motor inside	Optional (kit 800.991)		Optional (kit 800.991)	
Motor not included (suitable for wall motor, flat roof motor outside)		• ⁽¹⁾		• ⁽¹⁾
Weight cooker hood / motor casing (kg)	21.5 / 6	16.5 + motor	24.5 / 6	19.5 + motor
Mains voltage (V) / Electrical connection value (W)	230 / 105	230 / 0 + motor	230 / 105	230 / 0 + motor

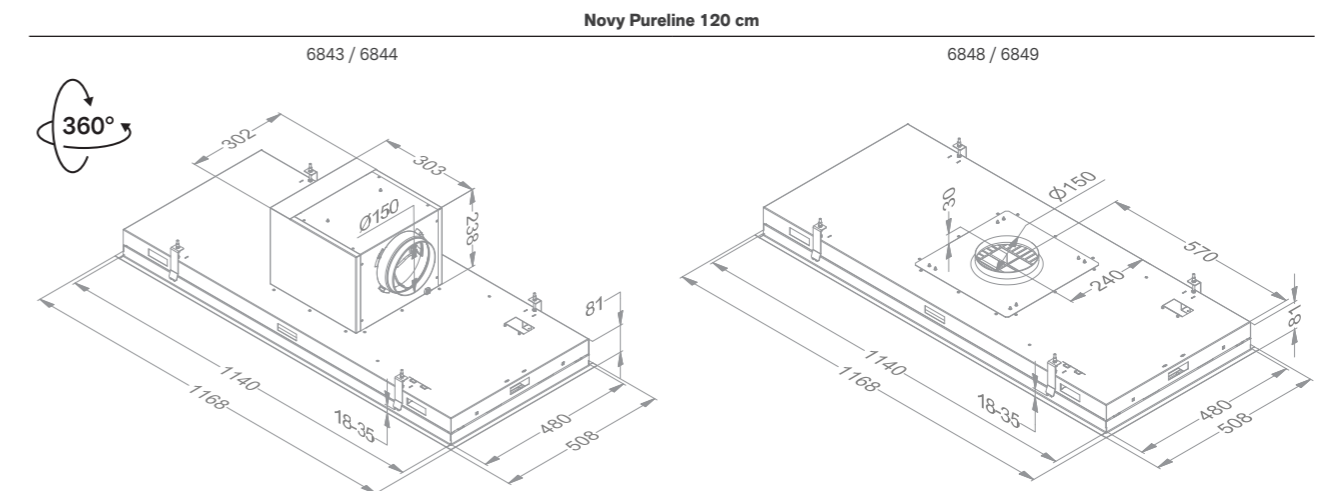
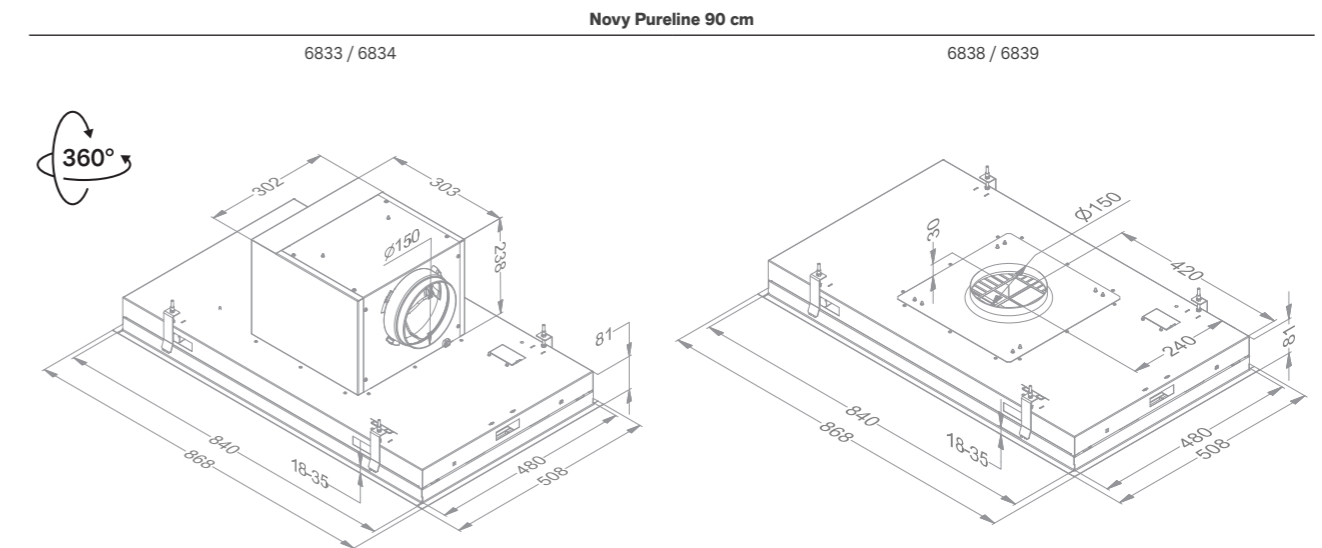
Dimensions	868×508×319	868×508×81	1168×508×319	1168×508×81
Dimensions (W×D×H) (mm)	868×508×319	868×508×81	1168×508×319	1168×508×81
Height of ceiling unit including mounting clamps (without the motor box) (mm)	133	133	133	133
Opening (L×W) (mm)	845×485	845×485	1145×485	1145×485
Exhaust opening diameter (mm)	150	150	150	150
Exhaust position	Top / right / left / front / rear	Top	Top / right / left / front / rear	Top
Recommended installation height with an induction cooker (Hmin–Hmax) (mm)	600–1600	600–1600	600–1600	600–1600
Recommended installation height with an electric or ceramic cooker (Hmin–Hmax) (mm)	600–1600	600–1600	600–1600	600–1600
Recommended installation height with a gas cooker (Hmin–Hmax) (mm)	650–1600	650–1600	650–1600	650–1600

Air quantity and sound level

Type	Maximum flow rate (m³/h)	Air quantity (m³/h) / pressure (Pa)				Noise level dB(A) sound pressure (re20µPa) / sound power (re 1pW)			
		Setting I	Setting II	Setting III	Power setting	Setting I	Setting II	Setting III	Power setting
6833, 6834 Integrated motor	815	256 / 86	417 / 235	549 / 382	624 / 382	24 / 35	35 / 47	42 / 55	46 / 58
6838, 6839 Not included	(1)	(1)	(1)	(1)	(1)	(1)	(1)	(1)	(1)
6843, 6844 Integrated motor	815	227 / 69	398 / 240	530 / 381	611 / 382	26 / 36	35 / 46	42 / 55	46 / 57
6848, 6849 Not included	(1)	(1)	(1)	(1)	(1)	(1)	(1)	(1)	(1)

Noise levels measured in accordance with IEC 60704-2-13 standards, flow rates according to IEC 61591.

Technical drawings



(1) These models should be connected to a wall motor or roof motor (see accessories). The air volume/noise level depends on the type of motor and installation.

(1) These models should be connected to a wall motor or roof motor (see accessories). The air volume/noise level depends on the type of motor and installation.

Accessories

Reference	6833	6834	6838	6839	6843	6844	6848	6849
Motor at a distance								
Remote motor for inside	245.999		•	•			•	•
Wall motor, minimum 5 m between cooker hood and motor	445.999		•	•			•	•
Roof motor 48.8 cm height	745.999		•	•			•	•
Roof motor with noise reduction 78.4 cm height	755.999		•	•			•	•
Technical details motors see p. 226-227								
Miscellaneous								
Grease filter (replacement) (2 pcs to order)	6830.020	•	•	•	•	•	•	•
Kit to install the remote motor inside	800.991	•	•			•	•	
Adapter to connect a flat duct (exhaust direction right, left, front, behind)	6830.053	•	•	•	•	•	•	•
Extension cable for remote motors (5 m)	7000.092			•	•		•	•
Extension cable for remote motors (5 m)	7000.094	•	•			•	•	
Kit connection with external cover and/or lighting	990.030	•	•	•	•	•	•	•
Remote control (black)	840.049	•	•	•	•	•	•	•

Accessories

Reference	6833	6834	6838	6839	6843	6844	6848	6849
Recirculation with exhaust box								
Exhaust box with monoblock filter (500x295x270 mm)								
White (≈RAL 9003)	841.400	•	•		•	•		
Mineral Black (≈RAL 9005)	842.400	•	•		•	•		
Grey (≈RAL 7030)	843.400	•	•		•	•		
Monoblock replacement filter for exhaust box 841.400, 842.400 and 843.400	830.055	•	•		•	•		
Low built-in box (140 mm high) with monoblock filter (820x292x140 mm)								
White (≈RAL 9003)	7931.400	•	•		•	•		
Mineral Black (≈RAL 9005)	7932.400	•	•		•	•		
Grey (≈RAL 7030)	7933.400	•	•		•	•		
Monoblock replacement filter for exhaust box 7931.400, 7932.400 and 7933.400 (2 pcs to order)	7900.055	•	•		•	•		
Technical details recirculationboxes see p. 224-225								
Recirculation without exhaust box								
Monoblock filter (also replacement)	6830.060	•	•		•	•		



Novy Maxi Pureline

- Extremely powerful
- Perfect for above an extra large cooking surface
- Industrial look
- No lighting, to suit your own lighting plan
- External lighting to be connected through the cooker hood and controlled via the cooker hood and/or remote control
- Recirculation optional: carbon filter with a life span of up to 900 cooking hours



Distance
Maximum distance between cooker hood and hob.



InTouch
Standard with function for controlling the cooker hood from the hob.



Recirculation
Recirculation is optional.



Sound level during normal use in dB(A) (re 1 pW)

Width (cm)	Motor	Colour	Flow power function (m³/h)	Sound level during normal use in dB(A) (re 1 pW)		Ref.
				Minimum	Maximum	
150	Not included ⁽¹⁾	Stainless steel	⁽¹⁾	⁽¹⁾	⁽¹⁾	855
	Not included ⁽¹⁾	White	⁽¹⁾	⁽¹⁾	⁽¹⁾	856

Noise levels measured in accordance with IEC 60704-2-13 standards, flow rates according to IEC 61591.

(1) This model should be connected to 2 internal motors, wall motors or flat roof motors (see accessories).

Technical specifications



Novy Maxi Pureline
855 stainless steel / 856 white

Functions

Controls	Buttons + remote control (white)
Number of speed settings	3 + power function
Power setting with automatic downshift (min.)	6
Recirculation	Optional (in combination with 2 inside motors 245.999)
InTouch function for hobs	•
Auto-Stop, automatic switch-off after 3 hours	•
Run-on timer (min.)	10
Cleaning indicator for grease filter	•
Replacement indicator for recirculation filter	•

Lighting

External lighting to connect and operate with remote control (optional) (W)	Max. 300 (or with relay > 300)
---	--------------------------------

Technical characteristics

Colour	855 stainless steel 856 white (≈RAL 9003)
Motor not included (suitable for remote motor inside, wall motor or flat roof motor outside)	• (1)
Weight cooker hood / motor casing (kg)	35 + motors
Mains voltage (V) / Electrical connection value (W)	230 / 0 + motors

Dimensions (mm)

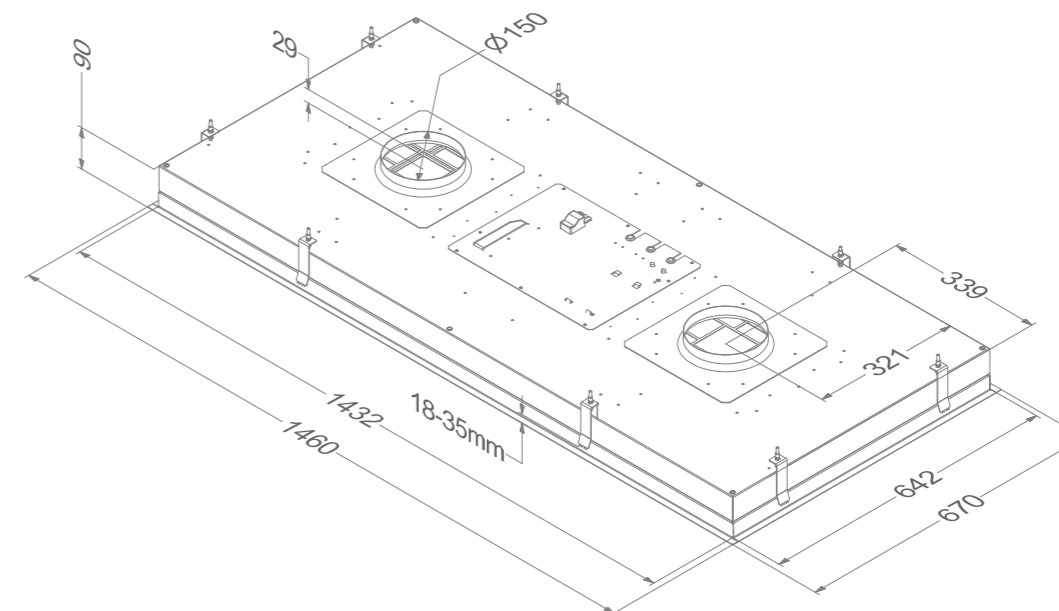
Dimensions (W×D×H) (mm)	1460×670×90
Height of ceiling unit including mounting clamps (without the motor box) (mm)	133
Opening (L×W) (mm)	1438×648
Exhaust opening diameter (mm)	2×150
Exhaust position	2×top
Recommended installation height with an induction cooker (Hmin–Hmax) (mm)	600–1600
Recommended installation height with an electric or ceramic cooker (Hmin–Hmax) (mm)	600–1600
Recommended installation height with a gas cooker (Hmin–Hmax) (mm)	650–1600

Air quantity and sound level

Type	Maximum free flow rate (m ³ /h)	Air quantity (m ³ /h) / pressure (Pa)				Noise level dB(A) sound pressure (re20μPa) / sound power (re 1pW)			
		Setting I	Setting II	Setting III	Power setting	Setting I	Setting II	Setting III	Power setting
855-856	(1)	(1)	(1)	(1)	(1)	(1)	(1)	(1)	(1)

(1) This cooker hood should be connected to 2x remote motor inside, 2x wall motor or 2x roof motor (see accessories). The air volume/noise level depends on the type of motor and installation.

Technical drawings



Accessories

	Reference	855	856
Motor at a distance			
Remote motor for inside (2 pcs to order)	245.999	•	•
Wall motor, minimum 5 m between cooker hood and motor (2 pcs to order)	445.999	•	•
Roof motor 48.8 cm height (2 pcs to order)	745.999	•	•
Roof motor with noise reduction 78.4 cm height (2 pcs to order)	755.999	•	•
Technical details motors see p. 226-227			
Miscellaneous			
Grease filter (replacement) (2 pcs to order)	7400.020	•	•
Adapter to connect a flat duct (exhaust direction 1x left, 1x right) (2 pcs to order)	830.053	•	•
Extension cable for remote motors (5 m) (2 pcs to order)	7000.092	•	•
Kit connection with external cover and/or lighting	990.030	•	•
Remote control (black)	840.049	•	•



Accessories

	Reference	855	856
Recirculation with exhaust box			
Exhaust box with monoblock filter (500×295×270 mm)			
White (≈RAL 9003) (2 pcs to order)	841.400	•	•
Mineral Black (≈RAL 9005) (2 pcs to order)	842.400	•	•
Grey (≈RAL 7030) (2 pcs to order)	843.400	•	•
Monoblock replacement filter for exhaust box 841.400, 842.400 and 843.400	830.055	•	•
Low built-in box (140 mm high) with monoblock filter (820×292×140 mm)			
White (≈RAL 9003) (2 pcs to order)	7931.400	•	•
Mineral Black (≈RAL 9005) (2 pcs to order)	7932.400	•	•
Grey (≈RAL 7030) (2 pcs to order)	7933.400	•	•
Monoblock replacement filter for exhaust box 7931.400, 7932.400 and 7933.400 (2 pcs to order)	7900.055	•	•
Technical details recirculationboxes see p. 224-225			
Recirculation without exhaust box			
Kit with monoblock filters	850.400	•	•
Monoblock replacement filter for 850.400 (2 pcs to order)	7300.055	•	•



Built-in cooker hoods

for deep cabinets

**Novy
Mini Pureline**

Novy Crystal

**Novy
Canopy
Essence**



Width of cabinet or canopy

60 cm	▪	▪	▪
90 cm	▪	▪	▪

Colour

White	▪	▪	
Stainless steel	▪		▪
Mineral Black	▪	▪	

Motor

Integrated	▪	▪	▪
At a distance (inside)	Optional		

Exhaust

To the outside	▪	▪	▪
Recirculation	Optional	Optional	Optional

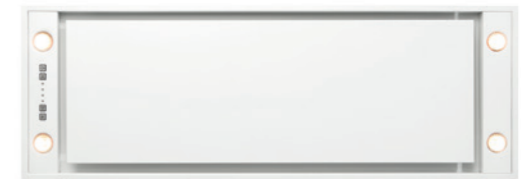
p. 128

p. 134

p. 140

Novy Mini Pureline

- Integrated in a decorative chimney or alcove
- Flexible installation of the Cubic motor for more placement options
- Integrated dimmable LED lighting
- LED lighting warm white (2,700 K) adjustable to neutral white (4,000 K)
- Recirculation optional: carbon filter with a life span of up to 900 cooking hours



Distance
Maximum distance between cooker hood and hob.
75 cm: 810, 811, 816
85 cm: 820, 821, 826



InTouch
Standard with function for controlling the cooker hood from the hob.



Recirculation
Recirculation is optional.



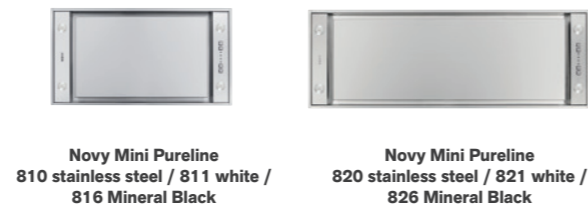
Width (cm)	Motor	Colour	EEI	Flow power function (m ³ /h)	Sound level during normal use in dB(A) (re 1 pW)		Ref.
					Minimum	Maximum	
60	Integrated Cubic motor / remote inside ⁽²⁾	Stainless steel	A	534	37	54	810
	Integrated Cubic motor / remote inside ⁽²⁾	White	A	534	37	54	811
	Integrated Cubic motor / remote inside ⁽²⁾	Mineral Black	A	534	37	54	816
90	Integrated Cubic motor / remote inside ⁽²⁾	Stainless steel	A+	601	37	52	820
	Integrated Cubic motor / remote inside ⁽²⁾	White	A+	601	37	52	821
	Integrated Cubic motor / remote inside ⁽²⁾	Mineral Black	A+	601	37	52	826

Noise levels measured in accordance with IEC 60704-2-13 standards, flow rates according to IEC 61591.

(2) To install the motor remotely, you should order the additional accessory 800.996.



Technical specifications



Functions		
Controls	Buttons + remote control (white)	Buttons + remote control (white)
Number of speed settings	3 + power function	3 + power function
Power setting with automatic downshift (min.)	6	6
With noise reduction	•	•
Recirculation	Optional (monoblock)	Optional (monoblock)
InTouch function for hobs	•	•
Auto-Stop, automatic switch-off after 3 hours	•	•
Run-on timer (min.)	10	10
Cleaning indicator for grease filter	•	•
Replacement indicator for recirculation filter	•	•

Lighting		
Type of lighting (number/W)	LED (4x2) / dimmable	LED (4x2) / dimmable
Lighting colour (K)	2,700 or 4,000	2,700 or 4,000
External lighting to connect and operate with remote control	Optional (kit 990.030)	Optional (kit 990.030)

Technical characteristics		
Colour	810 stainless steel 811 white (≈RAL 9003) 816 Mineral Black (≈RAL 9005)	820 stainless steel 821 white (≈RAL 9003) 826 Mineral Black (≈RAL 9005)
Integrated motor	•	•
Option to install the remote motor inside	Optional (kit 800.996)	Optional (kit 800.996)
Weight cooker hood / motor casing (kg)	10 / 5	12 / 5
Mains voltage (V) / Electrical connection value (W)	230 / 118	230 / 121

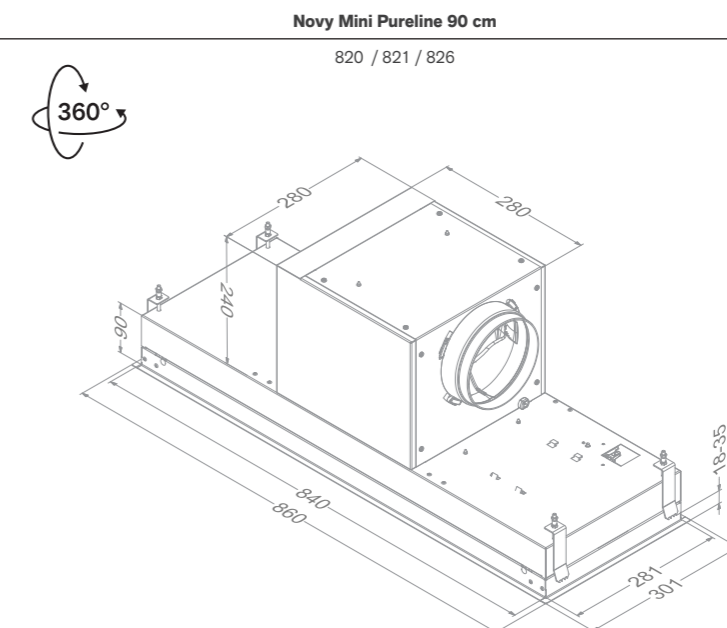
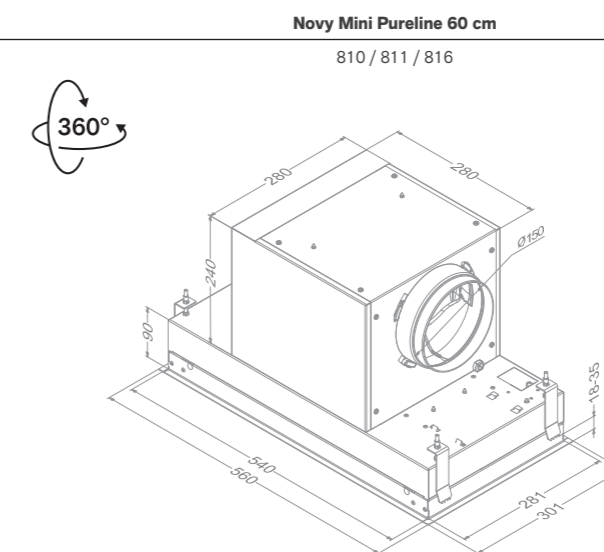
Dimensions		
Dimensions (WxDxH) (mm)	560x301x330	860x301x330
Opening (LxW) (mm)	545x286	845x286
Exhaust opening diameter (mm)	150	150
Exhaust position	Top / front / left / right / rear	Top / front / left / right / rear
Recommended installation height with an induction cooker (Hmin-Hmax) (mm)	650-750	650-850
Recommended installation height with an electric or ceramic cooker (Hmin-Hmax) (mm)	600-750	600-850
Recommended installation height with a gas cooker (Hmin-Hmax) (mm)	650-750	650-850

Air quantity and sound level

Type	Maximum free flow rate (m ³ /h)	Air quantity (m ³ /h) / pressure (Pa)				Noise level dB(A) sound pressure (re20μPa) / sound power (re 1pW)			
		Setting I	Setting II	Setting III	Power setting	Setting I	Setting II	Setting III	Power setting
810, 811, 816 Integrated motor	815	205 / 79	333 / 219	399 / 322	534 / 370	26 / 37	37 / 49	42 / 54	49 / 61
820, 821, 826 Integrated motor	815	237 / 79	379 / 225	451 / 329	601 / 372	26 / 37	36 / 48	40 / 52	47 / 59

Noise levels measured in accordance with IEC 60704-2-13 standards, flow rates according to IEC 61591.

Technical drawings



Accessories

	Reference	810	811	816	820	821	826
Miscellaneous							
Grease filter (replacement)	609.014	•	•	•			
Grease filter (replacement)	7400.020				•	•	•
Kit to install the remote motor inside	800.996				•	•	•
Adapter to connect a flat duct (air outlet positioning: front and rear only)	830.053				•	•	•
Extension cable for remote motors (5 m)	7000.096	•	•	•	•	•	•
Kit connection with external cover and/or lighting	990.030	•	•	•	•	•	•
Remote control (black)	840.049	•	•	•	•	•	•

Accessories

	Reference	810	811	816	820	821	826
Recirculation with exhaust box							
Exhaust box with monoblock filter (500x295x270 mm)							
White (≈RAL 9003)	841.400	•	•	•	•	•	•
Mineral Black (≈RAL 9005)	842.400	•	•	•	•	•	•
Grey (≈RAL 7030)	843.400	•	•	•	•	•	•
Monoblock replacement filter for exhaust box 841.400, 842.400 and 843.400	830.055	•	•	•	•	•	•
Low built-in box (140 mm high) with monoblock filter (820x292x140 mm)							
White (≈RAL 9003)	7931.400	•	•	•	•	•	•
Mineral Black (≈RAL 9005)	7932.400	•	•	•	•	•	•
Grey (≈RAL 7030)	7933.400	•	•	•	•	•	•
Monoblock replacement filter for exhaust box 7931.400, 7932.400 and 7933.400 (2 pcs to order)	7900.055	•	•	•	•	•	•
Technical details recirculationboxes see p. 224-225							
Recirculation without exhaust box							
Monoblock filter (also replacement)	811.400	•	•	•			
Kit with monoblock filters	820.400				•	•	•
Monoblock replacement filter for recirculation kit 820.400	7300.055				•	•	•



Novy Crystal

- Integrated in a decorative chimney or alcove
- Integrated dimmable LED lighting (3,000 K)
- Discreetly finished in white or black glass
- Recirculation optional: carbon filter with a life span of up to 900 cooking hours



Distance
Maximum distance between cooker hood and hob.



InTouch
Standard with function for controlling the cooker hood from the hob.



Recirculation
Recirculation is optional.



In option



Width (cm)	Motor	Colour	EEI	Flow power function (m³/h)	Sound level during normal use in dB(A) (re 1 pW)		Ref.
					Minimum	Maximum	
60	Integrated Cubic motor	White glass	B	600	39	52	26050
	Integrated Cubic motor	Black glass	B	600	39	52	26052
90	Integrated Cubic motor	White glass	B	592	40	51	26080
	Integrated Cubic motor	Black glass	B	592	40	51	26082

Noise levels measured in accordance with IEC 60704-2-13 standards, flow rates according to IEC 61591.

Technical specifications



Novy Crystal 60 cm
26050 white glass /
26052 black glass



Novy Crystal 90 cm
26080 white glass /
26082 black glass

Functions

Controls	Buttons	Buttons
Number of speed settings	3 + power function	3 + power function
Power setting with automatic downshift (min.)	6	6
With noise reduction	•	•
Recirculation	Optional (monoblock)	Optional (monoblock)
InTouch function for hobs	•	•
Auto-Stop, automatic switch-off after 3 hours	•	•
Run-on timer (min.)	10	10
Cleaning indicator for grease filter	•	•
Replacement indicator for recirculation filter	•	•

Lighting

Type of lighting (W)	LED (7) / dimmable	LED (14) / dimmable
Lighting colour (K)	3,000	3,000
External lighting to connect and operate with remote control	Optional (kit 990.030)	Optional (kit 990.030)

Technical characteristics

Colour	26050 white glass 26052 black glass	26080 white glass 26082 black glass
Integrated motor	•	•
Weight cooker hood (kg)	12,5	15
Mains voltage (V) / Electrical connection value (W)	230 / 231	230 / 238

Dimensions

Dimensions (W×D×H) (mm)	533×313×331	833×313×331
Opening (L×W) (mm)	510×290	810×290
Exhaust opening diameter (mm)	150	150
Exhaust position	Top	Top
Recommended installation height with an induction cooker (Hmin–Hmax) (mm)	650–750	650–750
Recommended installation height with an electric or ceramic cooker (Hmin–Hmax) (mm)	600–750	600–750
Recommended installation height with a gas cooker (Hmin–Hmax) (mm)	650–750	650–750

Air quantity and sound level

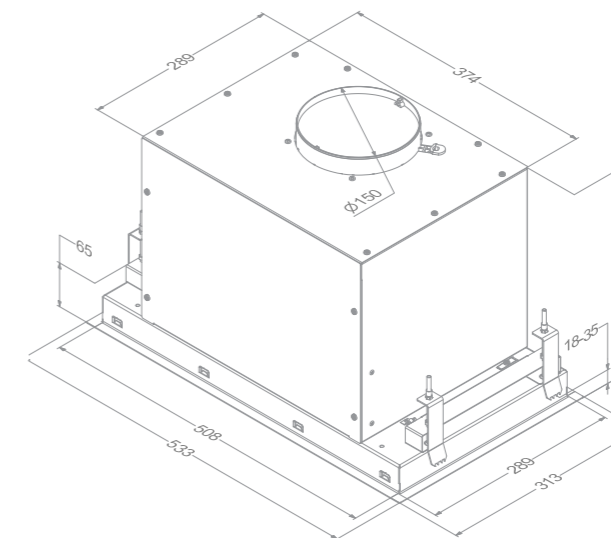
Type	Maximum free flow rate (m ³ /h)	Air quantity (m ³ /h) / pressure (Pa)				Noise level dB(A) sound pressure (re20µPa) / sound power (re 1pW)			
		Setting I	Setting II	Setting III	Power setting	Setting I	Setting II	Setting III	Power setting
26050, 26052 Integrated motor	700	207 / 443	282 / 491	386 / 525	600 / 564	27 / 39	33 / 45	40 / 52	50 / 61
26080, 26082 Integrated motor	700	207 / 447	276 / 489	371 / 526	592 / 559	28 / 40	33 / 45	39 / 51	49 / 61

Noise levels measured in accordance with IEC 60704-2-13 standards, flow rates according to IEC 61591.

Technical drawings

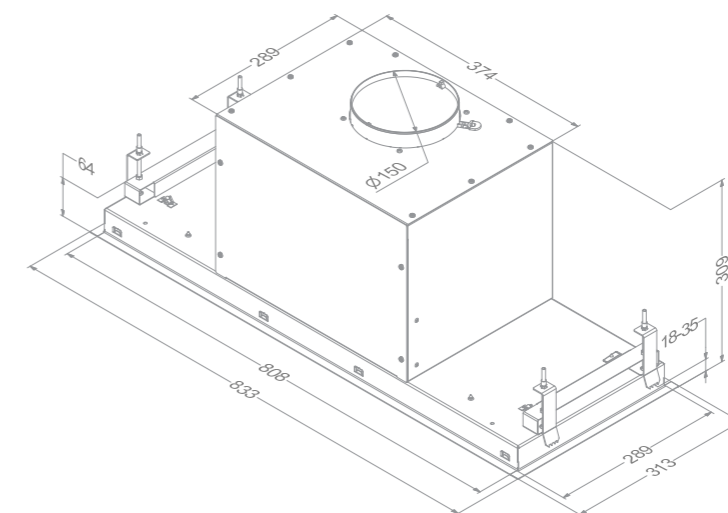
Novy Crystal 60 cm

26050 / 26052



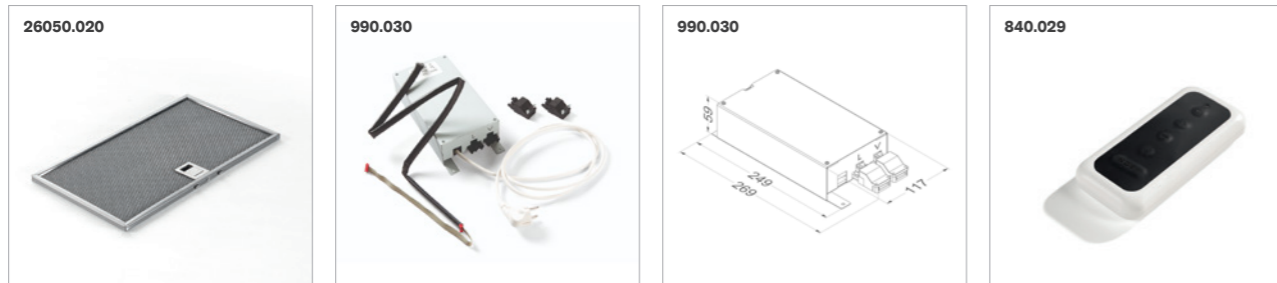
Novy Crystal 90 cm

26080 / 26082



Accessories

	Reference	26050	26052	26080	26082
Miscellaneous					
Grease filter (replacement)	26050.020	•	•	•	•
Kit connection with external cover and/or lighting	990.030	•	•	•	•
Remote control (white)	840.029	•	•	•	•
Remote control (black)	840.049	•	•	•	•



Accessories

	Reference	26050	26052	26080	26082
Recirculation with exhaust box					
Exhaust box with monoblock filter (500x295x270 mm)					
White (≈RAL 9003)	841.400	•	•	•	•
Mineral Black (≈RAL 9005)	842.400	•	•	•	•
Grey (≈RAL 7030)	843.400	•	•	•	•
Monoblock replacement filter for exhaust box 841.400, 842.400 and 843.400	830.055	•	•	•	•
Low built-in box (140 mm high) with monoblock filter (820x292x140 mm)					
White (≈RAL 9003)	7931.400	•	•	•	•
Mineral Black (≈RAL 9005)	7932.400	•	•	•	•
Grey (≈RAL 7030)	7933.400	•	•	•	•
Monoblock replacement filter for exhaust box 7931.400, 7932.400 and 7933.400 (2 pcs to order)	7900.055	•	•	•	•
Technical details recirculationboxes see p. 224-225					
Recirculation without exhaust box					
Kit with monoblock filters	26050.400	•	•	•	•
Monoblock replacement filter for recirculation kit 26050.400	26050.055	•	•	•	•



Novy Canopy Essence

- Built-in units in stainless steel for a decorative chimney or canopy
- Suitable for compact kitchen setup
- Convenience and easy control
- Sleek design filter for the optimum extraction of cooking vapours
- LED lighting (2,700 K)



Distance
Maximum distance between cooker hood and hob.



Recirculation
Recirculation is optional.

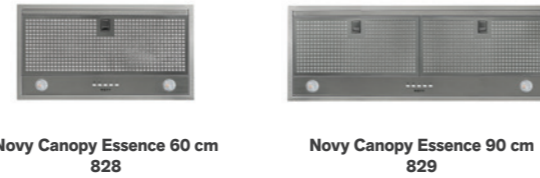


Width (cm)	Motor	Colour	EEI	Flow setting 4 (m³/h)	Sound level during normal use in dB(A) (re 1 pW)		Ref.
					Minimum	Maximum	
60	Integrated	Stainless steel	B	517	37	58	828
90	Integrated	Stainless steel	B	521	34	58	829 ⁽³⁾

Noise levels measured in accordance with IEC 60704-2-13 standards, flow rates according to IEC 61591.

(3) This model is only to be used above a hob with maximum 4 cooking zones.

Technical specifications



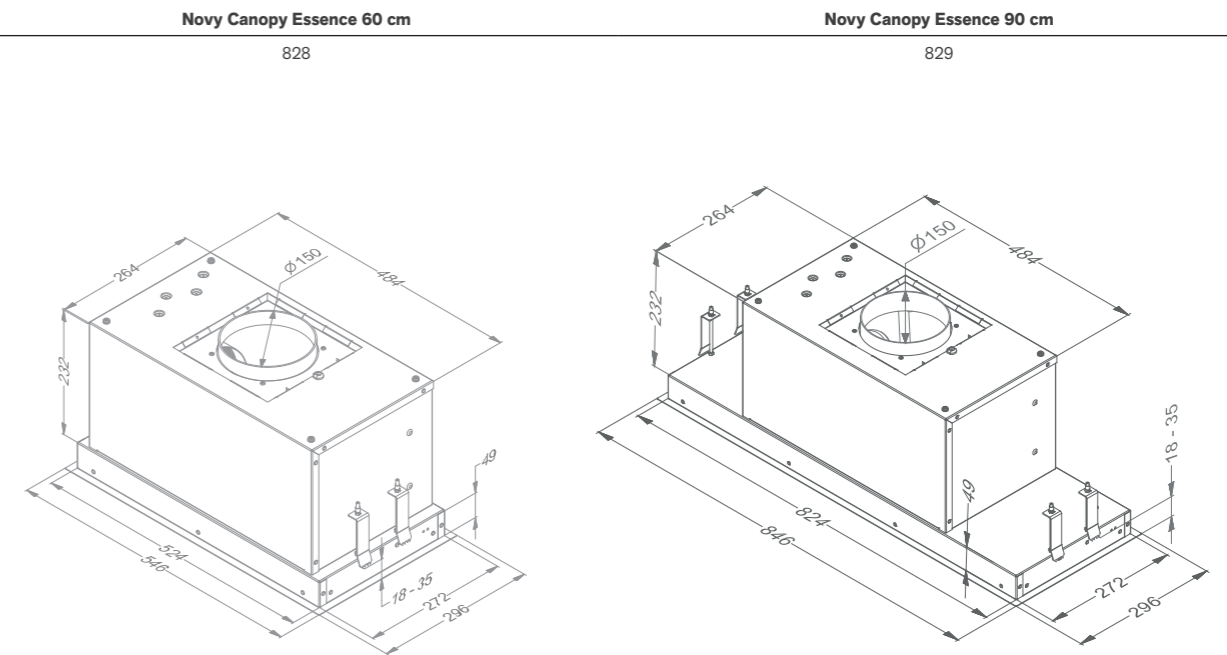
	Novy Canopy Essence 60 cm 828	Novy Canopy Essence 90 cm 829
Functions		
Controls	Buttons	Buttons
Number of speed settings	4	4
Recirculation	Optional (carbon filter cartridge)	Optional (carbon filter cartridge)
Cleaning indicator for grease filter	•	•
Replacement indicator for recirculation filter	•	•
Lighting		
Type of lighting (number/W)	LED (2x2)	LED (2x2)
Technical characteristics		
Colour	Stainless steel	Stainless steel
Lighting colour (K)	2,700	2,700
Integrated motor	•	•
Weight cooker hood / motor casing (kg)	10	11,5
Mains voltage (V) / Electrical connection value (W)	230 / 167	230 / 168
Dimensions		
Dimensions (WxDxH) (mm)	546x296x279	846x296x279
Opening (LxW) (mm)	525x275	825x275
Exhaust opening diameter (mm)	150	150
Exhaust position	Top	Top
Recommended installation height with an induction cooker (Hmin-Hmax) (mm)	650-750	650-750
Recommended installation height with an electric or ceramic cooker (Hmin-Hmax) (mm)	600-750	600-750
Recommended installation height with a gas cooker (Hmin-Hmax) (mm)	650-750	650-750

Air quantity and sound level

Type	Maximum free flow rate (m³/h)	Air quantity (m³/h) / pressure (Pa)				Noise level dB(A) sound pressure (re20µPa) / sound power (re 1pW)			
		Setting I	Setting II	Setting III	Setting IV	Setting I	Setting II	Setting III	Setting IV
828 Integrated motor	581	202 / 274	299 / 392	398 / 458	517 / 492	26 / 37	33 / 44	42 / 53	47 / 58
829 Integrated motor	581	199 / 259	299 / 381	399 / 451	521 / 488	23 / 34	28 / 39	40 / 51	47 / 58

Noise levels measured in accordance with IEC 60704-2-13 standards, flow rates according to IEC 61591.

Technical drawings



Accessories

	Reference	828	829
Miscellaneous			
Kit with LED lighting (4,000 K)	906.303	•	•
Grease filter (replacement)	828.020	•	
Grease filter (replacement) (2 pcs to order)	829.020		•
Recirculation without exhaust box			
Carbon cartridge (also replacement)	6200.055	•	•



Telescopic cooker hoods

for shallow cabinets

Novy Fusion Pro



Novy Fusion



Novy Telescopic



Novy Telescopic Essence



Novy Classic



Width of cabinet or canopy

60 cm	▪	▪	▪	▪	▪
90 cm	▪	▪	▪	▪	▪
100 cm					▪
120 cm	▪				

Colour

White	▪	▪			
Stainless steel			▪	▪	▪
Anthracite	▪				

Motor

Integrated	▪	▪	▪	▪	▪
------------	---	---	---	---	---

Exhaust

To the outside	▪	▪	▪	▪	▪
Recirculation	Optional	Optional	Optional	Optional	

p. 148

p. 154

p. 158

p. 164

p. 168

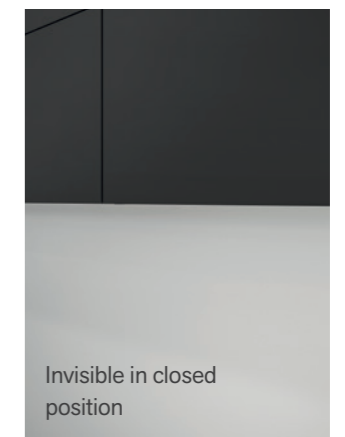
Seamless integration into shallow wall cabinet

Discover all assets

Novy Fusion Pro meets the demand for designer cooker hoods in shallow wall cabinets. With this highly developed concept, Fusion Pro, like Fusion, is concealed and integrated into a shallow wall cabinet. Discover all the advantages.



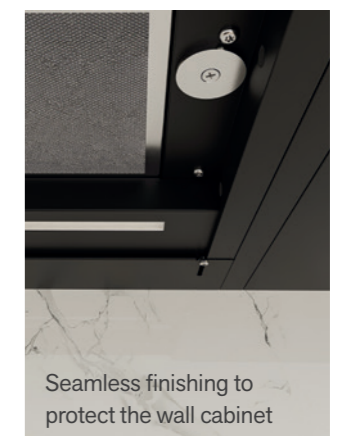
Transparent tilting panel to catch cooking fumes



Invisible in closed position



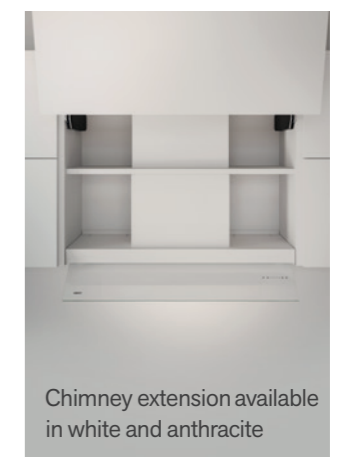
Tailored design exhaust grill for upper cabinets in case of recirculation



Seamless finishing to protect the wall cabinet



Convenient storage space



Chimney extension available in white and anthracite

NOVY

PREMIUM
INNOVATION
PRODUCT



Novy Fusion Pro

- Can be invisibly integrated into a wall cabinet with minimum and maximum depth of between 300-360 mm
- Tilting cover in transparent glass for optimum capture of cooking vapours
- Completely invisible in closed position
- LED strip (3,000 K), dimmable
- Sufficient space for storage
- Recirculation optional: carbon filter with a life span of up to 900 cooking hours



Distance
Maximum distance between cooker hood and hob.



InTouch
Standard with function for controlling the cooker hood from the hob.



Recirculation
Recirculation is optional.



In option



Width (cm)	Motor	Colour	EEI	Flow power function (m³/h)	Sound level during normal use in dB(A) (re 1 pW)		Ref.
					Minimum	Maximum	
60	Integrated	Anthracite / Anthracite glass	A+	682	48	59	8710
	Integrated	White / transparant glass	A+	682	48	59	8711
90	Integrated	Anthracite / Anthracite glass	A	674	48	59	8740
	Integrated	White / transparant glass	A	674	48	59	8741
120	Integrated	Anthracite / Anthracite glass	A	701	48	59	8770
	Integrated	White / transparant glass	A	701	48	59	8771

Noise levels measured in accordance with IEC 60704-2-13 standards, flow rates according to IEC 61591.

Can only be fitted between two wall units.

Video
Novy Fusion Pro



Technical specifications



Novy Fusion Pro 60 cm
8710 anthracite + glass
8711 white + glass



Novy Fusion Pro 90 cm
8740 anthracite + glass
8741 white + glass



Novy Fusion Pro 120 cm
8770 anthracite glass
8771 white + glass

Functions

Controls	Touch control	Touch control	Touch control
Number of speed settings	3 + power function	3 + power function	3 + power function
Power setting with automatic downshift (min.)	6	6	6
With noise reduction	•	•	•
Recirculation	Optional (monoblock)	Optional (monoblock)	Optional (monoblock)
InTouch function for hobs	•	•	•
Auto-Stop, automatic switch-off after 3 hours	•	•	•
Run-on timer (min.)	10	10	10
Cleaning indicator for grease filter	•	•	•
Replacement indicator for recirculation filter	•	•	•

Lighting

Type of lighting (W)	LED strip (14), dimmable	LED strip (23), dimmable	LED strip (23), dimmable
Lighting colour (K)	3,000	3,000	3,000

Technical characteristics

Colour	8710 Anthracite (≈RAL 7016) 8711 White (≈RAL 9003)	8740 Anthracite (≈RAL 7016) 8741 White (≈RAL 9003)	8770 Anthracite (≈RAL 7016) 8771 White (≈RAL 9003)
Oblique front cover for handleless kitchens	•	•	•
Integrated motor	•	•	•
Weight cooker hood / motor casing (kg)	11	14	17
Mains voltage (V) / Electrical connection value (W)	230 / 115	230 / 124	230 / 124

Dimensions

Dimensions (W×D×H) (mm)	600×300/360×340	900×300/360×340	1200×300/360×340
Width cabinet (mm)	600	900	1200
Minimal/maximal depth cabinet (mm)	300–360	300–360	300–360
Thickness side panel cabinet (mm)	16–19	16–19	16–19
Exhaust opening diameter (mm)	150	150	150
Exhaust position	Top	Top	Top
Recommended installation height with an induction cooker (Hmin–Hmax) (mm)	500–750	500–750	500–750
Recommended installation height with an electric or ceramic cooker (Hmin–Hmax) (mm)	500–750	500–750	500–750
Recommended installation height with a gas cooker (Hmin–Hmax) (mm)	650–750	650–750	650–750

Air quantity and sound level

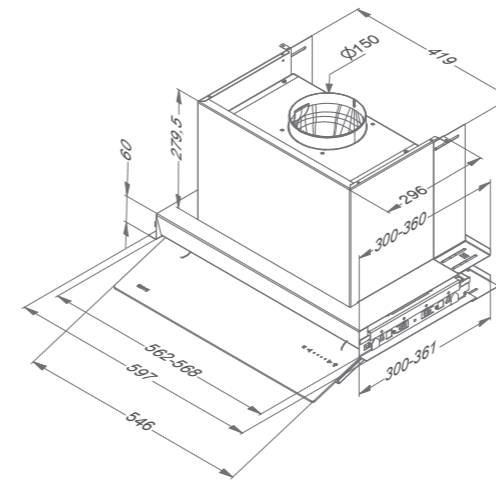
Type	Maximum free flow rate (m ³ /h)	Air quantity (m ³ /h) / pressure (Pa)				Noise level dB(A) sound pressure (re20μPa) / sound power (re 1pW)			
		Setting I	Setting II	Setting III	Power setting	Setting I	Setting II	Setting III	Power setting
8710, 8711 Integrated motor	815	395 / 174	535 / 353	608 / 389	682 / 390	36 / 48	44 / 56	47 / 59	50 / 62
8740, 8741 Integrated motor	815	391 / 178	535 / 356	606 / 383	674 / 383	36 / 48	44 / 56	47 / 59	50 / 62
8770, 8771 Integrated motor	815	405 / 173	553 / 351	626 / 386	701 / 381	36 / 48	44 / 56	47 / 59	50 / 62

Noise levels measured in accordance with IEC 60704-2-13 standards, flow rates according to IEC 61591.

Technical drawings

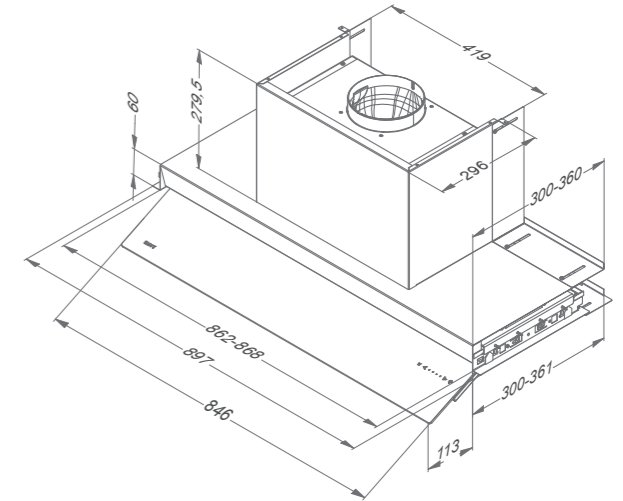
Novy Fusion Pro 60 cm

8710 / 8711



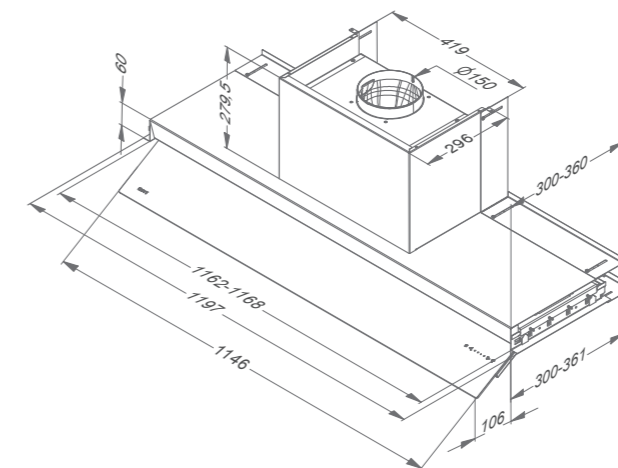
Novy Fusion Pro 90 cm

8740 / 8741



Novy Fusion Pro 120 cm

8770 / 8771



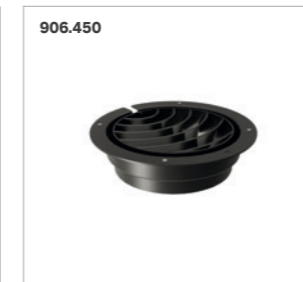
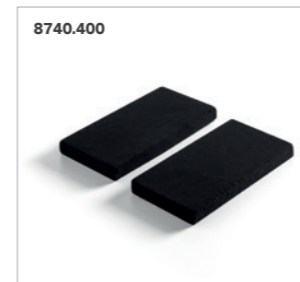
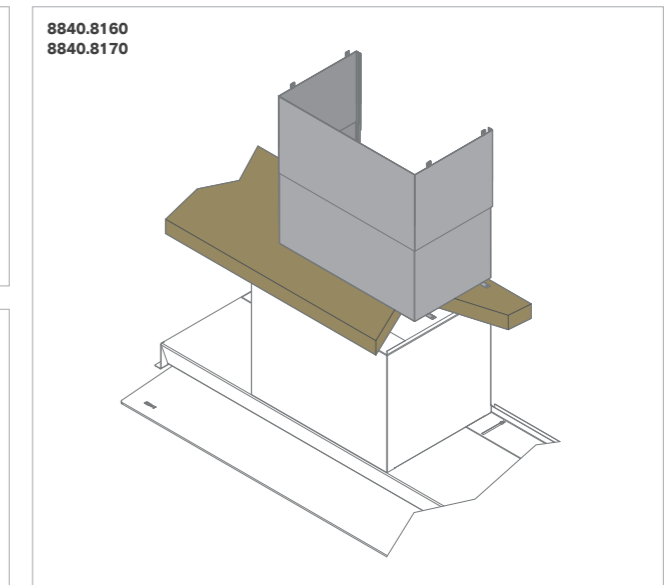
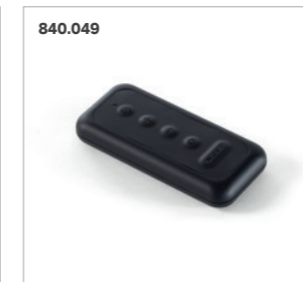
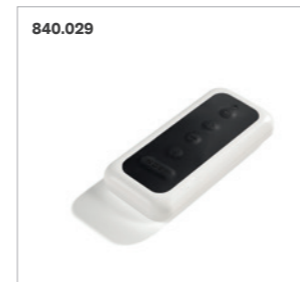
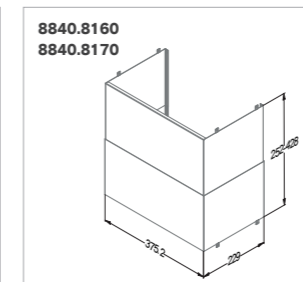
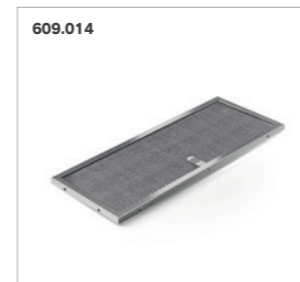
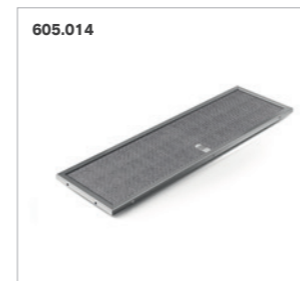
Video
Novy Fusion Pro Installation



Accessories

	Reference	8710	8711	8740	8741	8770	8771
Miscellaneous							
Grease filter (replacement) (1 pc to order)	605.014	•	•				
Grease filter (replacement) (2 pcs to order)	605.014					•	•
Grease filter (replacement) (2 pcs to order)	609.014			•	•		
Chimney extension antracite (fixation on shelf)	8840.8160	•		•		•	•
Chimney extension white (fixation on shelf)	8840.8170		•		•		
Remote control (white)	840.029	•	•	•	•	•	•
Remote control (black)	840.049	•	•	•	•	•	•
Recirculation without exhaust box							
Monoblock filter (also replacement)	8740.400	•	•	•	•	•	•
Exhaust grill for upper cabinet*	906.450	•	•	•	•	•	•

* Tailored design exhaust grill for upper cabinets to optimise the return of filtered air into the kitchen. Minimum space required between the upper cabinet and the ceiling: 20 cm



Novy Fusion

- Can be invisibly integrated into a shallow wall cabinet with a built-in depth of only 32 cm
- Completely invisible in closed position
- Tilting cover in white glass for optimum capture of cooking vapours
- Subtle touch control
- LED strip (3,000 K), dimmable
- Recirculation optional: carbon filter with a life span of up to 900 cooking hours



Distance
Maximum distance between cooker hood and hob.



InTouch
Function for controlling the cooker hood from the hob.



Recirculation
Recirculation is optional.



Sound level during normal use in dB(A) (re 1 pW)

Width (cm)	Motor	Colour	EEI	Flow power function (m³/h)	Sound level during normal use in dB(A) (re 1 pW)		Ref.
					Minimum	Maximum	
60	Integrated	White / White glass	A	619	39	58	680
90	Integrated	White / White glass	A	635	40	58	686

Noise levels measured in accordance with IEC 60704-2-13 standards, flow rates according to IEC 61591.



Technical specifications



Novy Fusion 60 cm
680 white glass

Novy Fusion 90 cm
686 white glass

Functions		
Controls	Touch control	Touch control
Number of speed settings	3 + power function	3 + power function
Power setting with automatic downshift (min.)	6	6
With noise reduction	•	•
Recirculation	Optional (monoblock)	Optional (monoblock)
InTouch function for hobs	•	•
Auto-Stop, automatic switch-off after 3 hours	•	•
Run-on timer (min.)	10	10
Cleaning indicator for grease filter	•	•
Replacement indicator for recirculation filter	•	•

Lighting		
Type of lighting (number/W)	LED strip (9), dimmable	LED strip (16), dimmable
Lighting colour (K)	3,000	3,000

Technical characteristics		
Colour	White	White
Integrated motor	•	•
Weight cooker hood / motor casing (kg)	12.5	15.2
Mains voltage (V) / Electrical connection value (W)	230 / 117	230 / 126

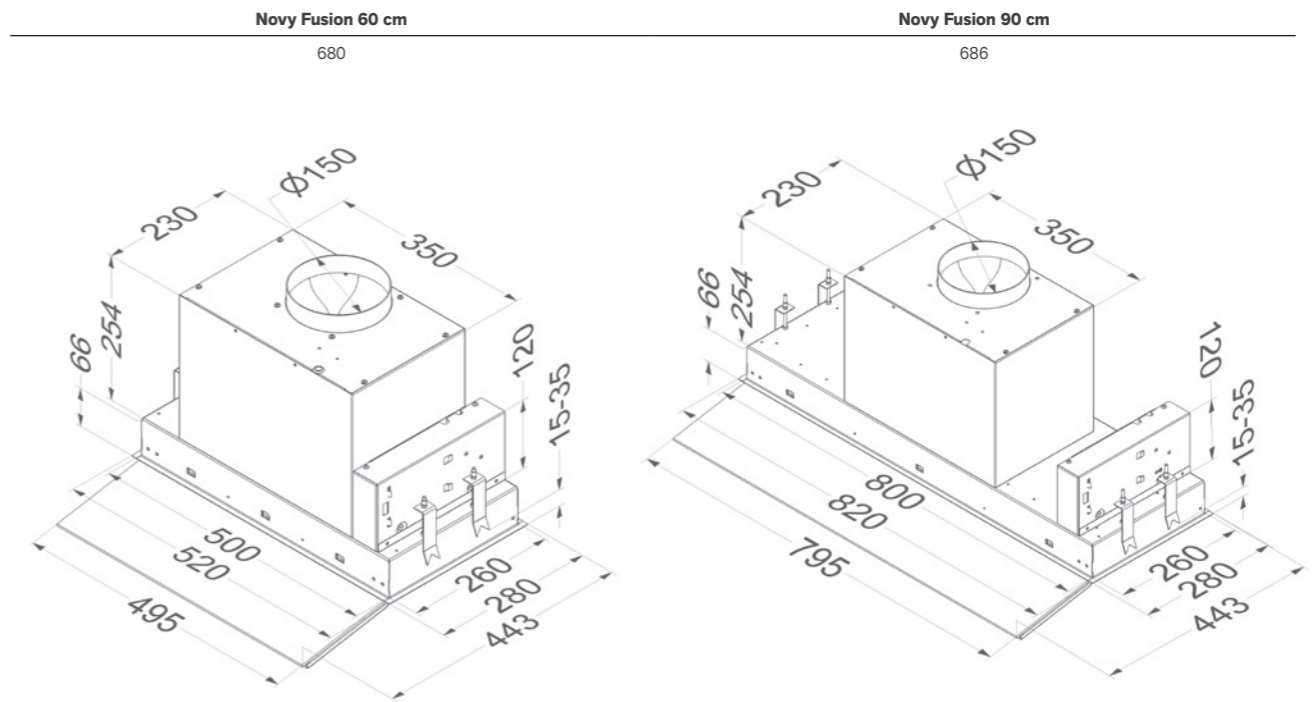
Dimensions (mm)		
Dimensions (W×D×H) (mm)	520×280×320	820×280×320
Opening(W×D) (mm)	505×265	805×265
Exhaust opening diameter (mm)	150	150
Exhaust position	Top / rear	Top / rear
Recommended installation height with an induction cooker (Hmin–Hmax) (mm)	500–750	500–750
Recommended installation height with an electric or ceramic cooker (Hmin–Hmax) (mm)	500–750	500–750
Recommended installation height with a gas cooker (Hmin–Hmax) (mm)	650–750	650–750

Air quantity and sound level

Type	Maximum free flow rate (m³/h)	Air quantity (m³/h) / pressure (Pa)				Noise level dB(A) sound pressure (re20µPa) / sound power (re 1pW)			
		Setting I	Setting II	Setting III	Power setting	Setting I	Setting II	Setting III	Power setting
680 Integrated motor	815	245 / 83	408 / 246	537 / 397	619 / 391	27 / 39	38 / 51	46 / 58	49 / 61
686 Integrated motor	815	254 / 83	422 / 254	554 / 392	635 / 390	27 / 40	39 / 51	45 / 58	49 / 61

Noise levels measured in accordance with IEC 60704-2-13 standards, flow rates according to IEC 61591.

Technical drawings



Accessories

	Reference	680	686
Miscellaneous			
Grease filter (replacement)	680.020	•	
Grease filter (replacement) (2 pcs to order)	680.020		•
Remote control (white)	840.029	•	•
Remote control (black)	840.049	•	•
Recirculation without exhaust box			
Monoblock filter (also replacement)	680.400	•	•
Exhaust grill for upper cabinet*	906.450	•	•

* Tailored design exhaust grill for upper cabinets to optimise the return of filtered air into the kitchen. Minimum space required between the upper cabinet and the ceiling: 20 cm



Novy Telescopic

- Can be integrated flush with the wall cabinet
- Telescopic slide for optimum capture of cooking vapours
- Front profile interchangeable to meet the design of your cabinets
- Sufficient space for a herb rack
- Glass visor for a transparent look
- LED lighting (2,700 K)
- Electronic control (663, 693) with extra functions
- Recirculation optional: carbon filter with a life span of up to 900 cooking hours



Distance
Maximum distance between cooker hood and hob.



InTouch
Function for controlling the cooker hood from the hob for 663, 669 (optional)



Recirculation
Recirculation is optional.



In optie
663
693



Width (cm)	Motor	Colour	Controls	EEI	Maximum Flow Rate (m ³ /h)	Sound level during normal use in dB(A) (re 1 pW)		Ref.
						Minimum	Maximum	
60	Integrated	Stainless steel	Knob	C	346	49	60	661
	Integrated	Stainless steel	Knob	D	594	55	63	662
	Integrated	Stainless steel	Buttons	C	614	47	58	663
90	Integrated	Stainless steel	Knob	C	348	48	60	691 ⁽³⁾
	Integrated	Stainless steel	Knob	C	587	50	61	692
	Integrated	Stainless steel	Buttons	C	605	43	55	693

Noise levels measured in accordance with IEC 60704-2-13 standards, flow rates according to IEC 61591.

(3) This model is only to be used above a hob with maximum 4 cooking zones.



Technical specifications



**Novy Telescopic 60 cm
661 stainless steel**

**Novy Telescopic 60 cm
662 stainless steel**

**Novy Telescopic 60 cm
663 stainless steel**



**Novy Telescopic 90 cm
691 stainless steel**

**Novy Telescopic 90 cm
692 stainless steel**

**Novy Telescopic 90 cm
693 stainless steel**

Functions			
Controls	Knob	Knob	Buttons
Number of speed settings	3	3	3 + power function
Power setting with automatic downshift (min.)			6
With noise reduction	•	•	•
Recirculation	Optional (monoblock)	Optional (monoblock)	Optional (monoblock)
InTouch function for hobs			Optional
Auto-Stop, automatic switch-off after 3 hours			•
Run-on timer (min.)			10
Cleaning indicator for grease filter			•
Replacement indicator for recirculation filter			•

Lighting			
Type of lighting (number/W)	LED (2x2)	LED (2x2)	LED (2x2)
Lighting colour (K)	2,700	2,700	2,700

Technical characteristics			
Colour side profile	Stainless steel (replaceable)	Stainless steel (replaceable)	Stainless steel (replaceable)
Integrated motor	•	•	•
Weight cooker hood / motor casing (kg)	12	13	13
Mains voltage (V) / Electrical connection value (W)	230 / 103	230 / 182	230 / 181

Dimensions			
Dimensions (WxDxH) (mm)	598x290x348	598x290x405	598x290x405
Minimum dimensions of cabinet (WxDxH) (mm)	600x280x450	600x280x450	600x280x450
Opening (mm)	560-570x180	560-570x180	560-570x180
Exhaust opening diameter (mm)	125	150	150
Exhaust position	Top	Top	Top
Recommended installation height with an induction cooker (Hmin-Hmax) (mm)	650-750	650-750	650-750
Recommended installation height with an electric or ceramic cooker (Hmin-Hmax) (mm)	600-750	600-750	600-750
Recommended installation height with a gas cooker (Hmin-Hmax) (mm)	650-750	650-750	650-750

Controls	Knob	Knob	Buttons
Number of speed settings	3	3	3 + power function
Power setting with automatic downshift (min.)			6
With noise reduction	•	•	•
Recirculation	Optional (monoblock)	Optional (monoblock)	Optional (monoblock)
InTouch function for hobs			Optional
Auto-Stop, automatic switch-off after 3 hours			•
Run-on timer (min.)			10
Cleaning indicator for grease filter			•
Replacement indicator for recirculation filter			•

Type of lighting (number/W)	LED (2x2)	LED (2x2)	LED (2x2)
Lighting colour (K)	2,700	2,700	2,700

Colour side profile	Stainless steel (replaceable)	Stainless steel (replaceable)	Stainless steel (replaceable)
Integrated motor	•	•	•
Weight cooker hood / motor casing (kg)	16	18	18
Mains voltage (V) / Electrical connection value (W)	230 / 101	230 / 194	230 / 200

Dimensions (WxDxH) (mm)	898x290x348	898x290x348	898x290x348
Minimum dimensions of cabinet (WxDxH) (mm)	900x280x450	900x280x450	900x280x450
Opening (mm)	860-870x180	860-870x180	860-870x180
Exhaust opening diameter (mm)	125	150	150
Exhaust position	Top	Top	Top
Recommended installation height with an induction cooker (Hmin-Hmax) (mm)	650-750	650-750	650-750
Recommended installation height with an electric or ceramic cooker (Hmin-Hmax) (mm)	600-750	600-750	600-750
Recommended installation height with a gas cooker (Hmin-Hmax) (mm)	650-750	650-750	650-750

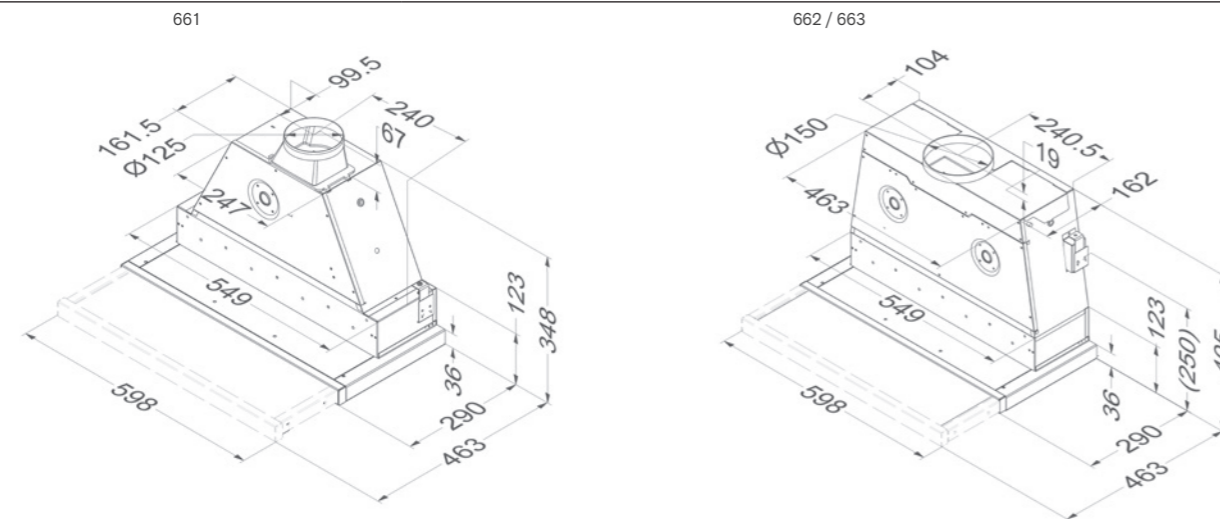
Air quantity and sound level

Type	Maximum free flow rate (m³/h)	Air quantity (m³/h) / pressure (Pa)				Noise level dB(A) sound pressure (re20µPa) / sound power (re 1pW)			
		Setting I	Setting II	Setting III	Setting IV / Power setting	Setting I	Setting II	Setting III	Setting IV / Power setting
661 Integrated motor	470	212 / 252	255 / 290	346 / 344		38 / 49	43 / 54	48 / 60	
662 Integrated motor	940	387 / 267	464 / 326	594 / 408		43 / 55	47 / 58	51 / 63	
663 Integrated motor	940	285 / 187	397 / 287	473 / 336	614 / 411	36 / 47	43 / 55	47 / 58	51 / 63
691 Integrated motor	470	215 / 273	257 / 318	348 / 379		36 / 48	41 / 52	48 / 60	
692 Integrated motor	940	353 / 313	423 / 347	587 / 397		39 / 50	43 / 55	50 / 61	
693 Integrated motor	940	259 / 153	356 / 225	436 / 262	605 / 318	32 / 43	39 / 50	43 / 55	50 / 61

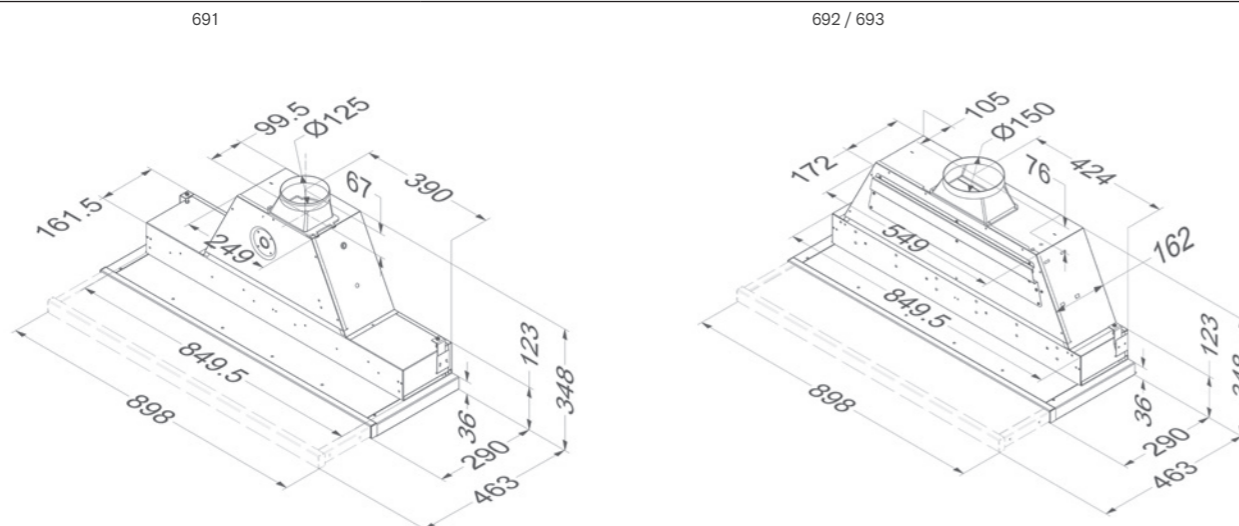
Noise levels measured in accordance with IEC 60704-2-13 standards, flow rates according to IEC 61591.

Technical drawings

Novy Telescopic 60 cm



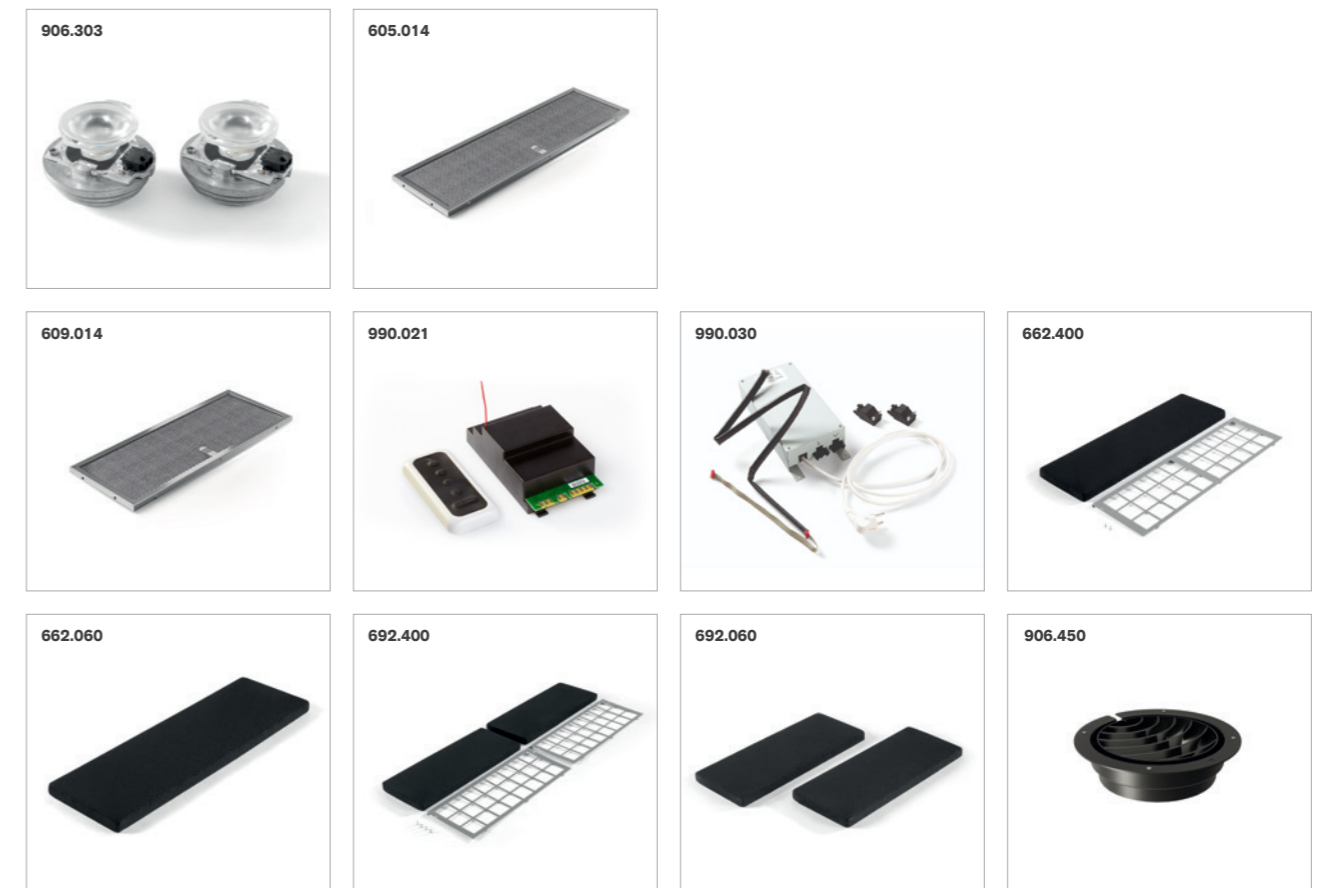
Novy Telescopic 90 cm



Accessories

	Reference	661	662	663	691	692	693
Miscellaneous							
Kit with LED lighting (4,000 K)	906.303	•	•	•	•	•	•
Grease filter (replacement)	605.014	•	•	•			
Grease filter (replacement) (2 pcs to order)	609.014				•	•	•
Kit for InTouch including an interface (to be mounted before installation of the hood as a replacement for the original interface) and a remote control	990.021						•
Kit connection with external cover and/or lighting	990.030			•			•
Recirculation without exhaust box							
Kit with monoblock filters	662.400	•	•	•			
Monoblock replacement filter for kit 662.400	662.060	•	•	•			
Kit with monoblock filters	692.400				•	•	•
Monoblock replacement filter for kit 692.400	692.060				•	•	•
Exhaust grill for upper cabinet*	906.450		•	•	•	•	•

* Tailored design exhaust grill for upper cabinets to optimise the return of filtered air into the kitchen. Minimum space required between the upper cabinet and the ceiling: 20 cm



Novy Telescopic Essence

- Can be integrated flush with the wall cabinet
- Telescopic slide for optimum capture of cooking vapours
- Sleek design filter for the optimum extraction of cooking vapours
- To be attached to intermediate shelf
- LED lighting (2,700 K)



Distance
Maximum distance between cooker hood and hob.



Recirculation
Recirculation is optional.



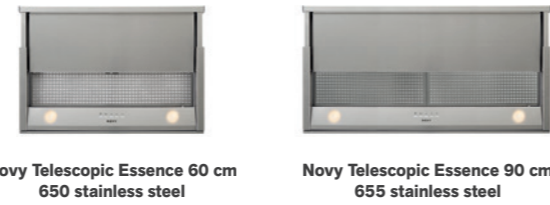
Width (cm)	Motor	Colour	EEI	Flow setting 4 (m ³ /h)	Sound level during normal use in dB(A) (re 1 pW)		Ref.
					Minimum	Maximum	
60	Integrated	Stainless steel	B	501	33	56	650
90	Integrated	Stainless steel	B	522	34	58	655 ⁽³⁾

Noise levels measured in accordance with IEC 60704-2-13 standards, flow rates according to IEC 61591.

(3) This model is only to be used above a hob with maximum 4 cooking zones. Provide for a kitchen cupboard with no bottom.



Technical specifications



Novy Telescopic Essence 60 cm
650 stainless steel

Novy Telescopic Essence 90 cm
655 stainless steel

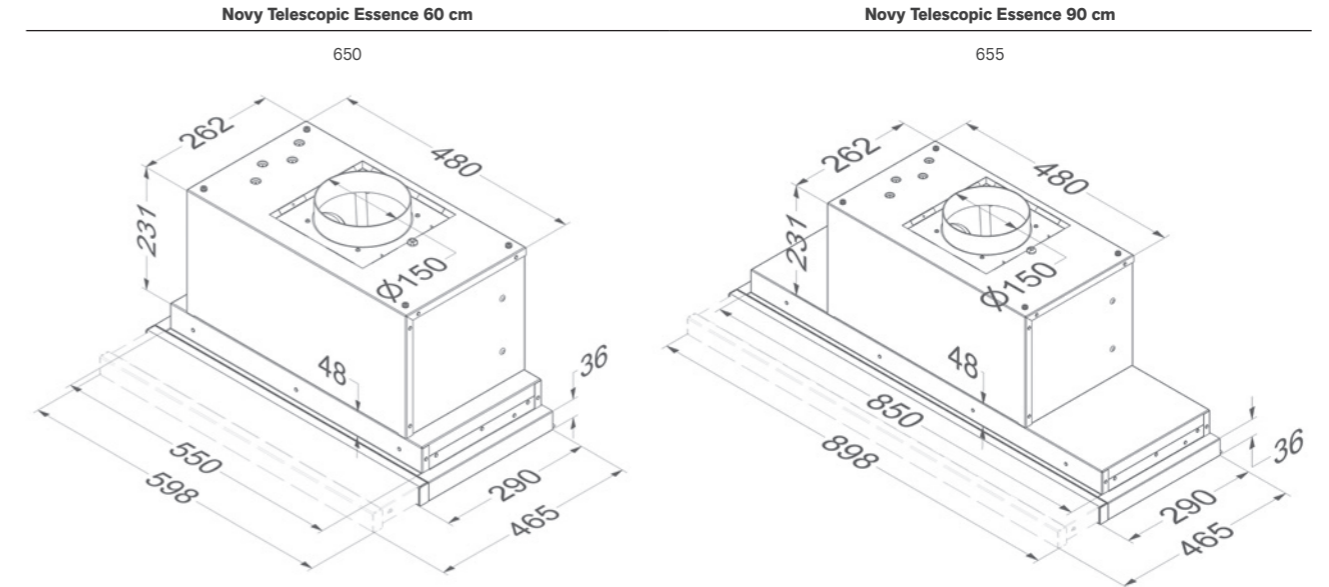
Functions		
Controls	Buttons	Buttons
Number of speed settings	4	4
Recirculation	Optional (carbon filter cartridge)	Optional (carbon filter cartridge)
Cleaning indicator for grease filter	•	•
Replacement indicator for recirculation filter	•	•
Lighting		
Type of lighting (number/W)	LED (2x2)	LED (2x2)
Lighting colour (K)	2,700	2,700
Technical characteristics		
Colour side profile	Stainless steel (not replaceable)	Stainless steel (not replaceable)
Integrated motor	•	•
Weight cooker hood / motor casing (kg)	10	12
Mains voltage (V) / Electrical connection value (W)	230 / 162	230 / 165
Dimensions		
Dimensions (WxDxH) (mm)	598x290x316	898x290x316
Minimum dimensions of cabinet (WxDxH) (mm)	600x280x300	900x280x300
Exhaust opening diameter (mm)	150	150
Exhaust position	Top	Top
Recommended installation height with an induction cooker (Hmin–Hmax) (mm)	650–750	650–750
Recommended installation height with an electric or ceramic cooker (Hmin–Hmax) (mm)	600–750	600–750
Recommended installation height with a gas cooker (Hmin–Hmax) (mm)	650–750	650–750

Air quantity and sound level

Type	Maximum free flow rate (m³/h)	Air quantity (m³/h) / pressure (Pa)				Noise level dB(A) sound pressure (re20µPa) / sound power (re 1pW)			
		Setting I	Setting II	Setting III	Setting IV	Setting I	Setting II	Setting III	Setting IV
650 Integrated motor	581	192 / 271	290 / 381	387 / 442	501 / 480	21 / 33	28 / 39	38 / 49	45 / 56
655 Integrated motor	581	206 / 282	303 / 374	405 / 445	522 / 482	23 / 34	31 / 42	42 / 53	46 / 58

Noise levels measured in accordance with IEC 60704-2-13 standards, flow rates according to IEC 61591.

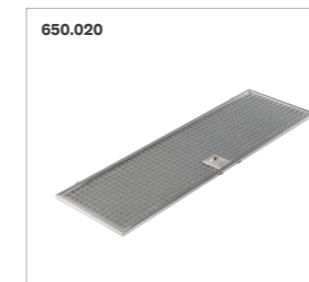
Technical drawings



Accessories

	Reference	650	655
Miscellaneous			
Kit with LED lighting (4,000 K)	906.303	•	•
Grease filter (replacement)	650.020	•	
Grease filter (replacement) (2 pcs to order)	655.020		•
Recirculation without exhaust box			
Carbon cartridge (without exhaust box) (also replacement)	6200.055	•	•
Exhaust grill for upper cabinet*	906.450	•	•

* Tailored design exhaust grill for upper cabinets to optimise the return of filtered air into the kitchen. Minimum space required between the upper cabinet and the ceiling: 20 cm



Novy Classic

- Classic design
- High extraction efficiency
- Comfortable and easy to use



Distance
Maximum distance between cooker hood and hob.



Width (cm)	Motor	Colour	EEI	Flow setting 4 (m³/h)	Sound level during normal use in dB(A) (re 1 pW)		Ref.
					Minimum	Maximum	
60	Integrated	Stainless steel	D	228	58	66	936
90	Integrated	Stainless steel	D	230	59	67	939 ⁽³⁾
	Integrated	Stainless steel	E	430	62	70	949
100	Integrated	Stainless steel	D	435	63	69	950

Noise levels measured in accordance with IEC 60704-2-13 standards, flow rates according to IEC 61591.

(3) This model is only to be used above a hob with maximum 4 cooking zones.

Technical specifications



Novy Classic 60 cm 936 inox **Novy Classic 90 cm 939 inox** **Novy Classic 90 cm 949 inox** **Novy Hotte classique 100 cm 950 inox**

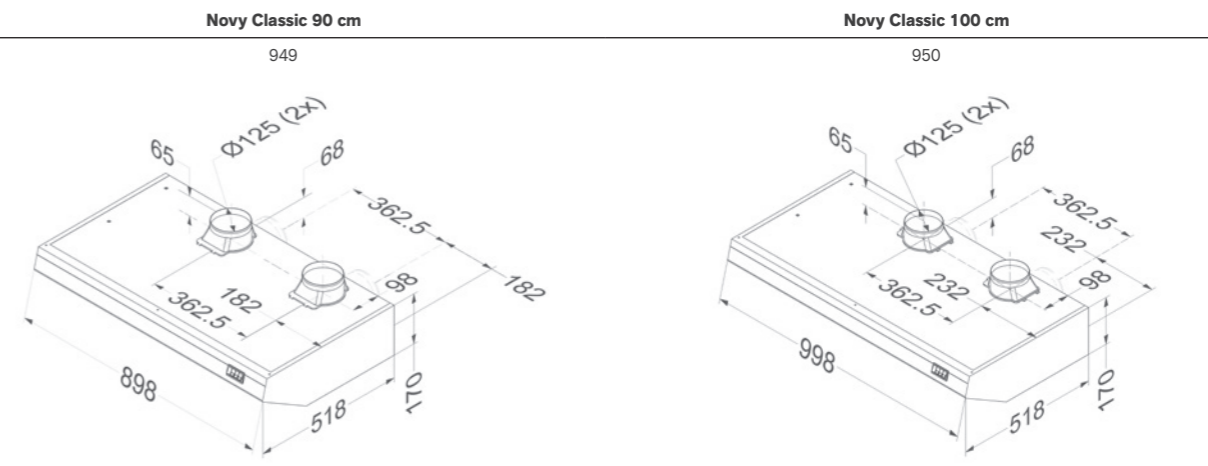
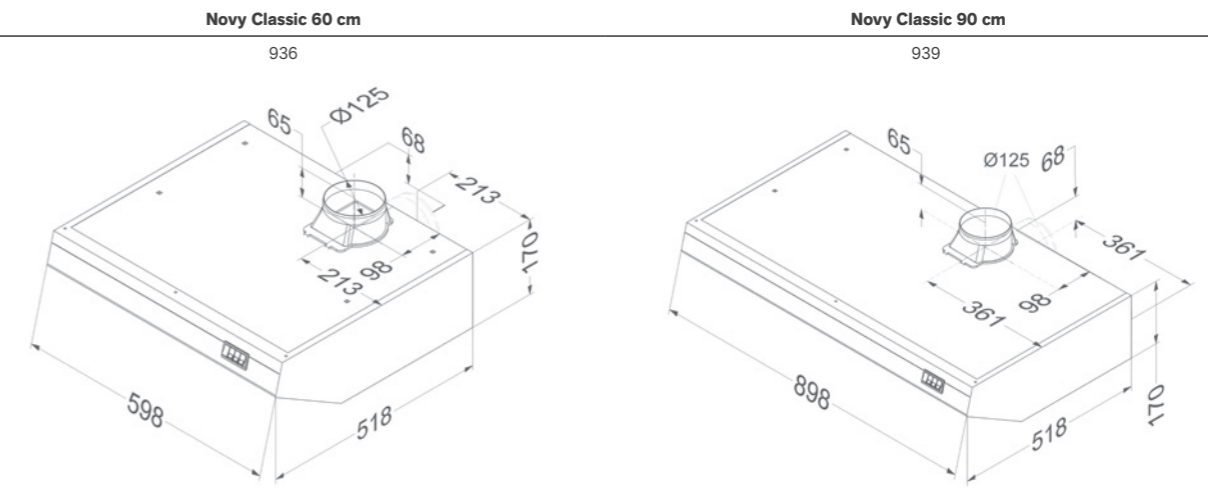
Functions				
Controls	Buttons	Buttons	Buttons	Buttons
Number of speed settings	3	3	3	3
Lighting				
Type of lighting (number/W)	Led (11)	Led (17)	Led (17)	Led (19)
Technical characteristics				
Colour	Stainless steel	Stainless steel	Stainless steel	Stainless steel
Integrated motor	•	•	•	•
Weight cooker hood / motor casing (kg)	14	19	22	23
Mains voltage (V) / Electrical connection value (W)	230 / 115	230 / 119	230 / 200	230 / 206
Dimensions				
Dimensions (W×D×H) (mm)	598×518×170	898×518×170	898×518×170	998×518×170
Exhaust opening diameter (mm)	125	125	2×125	2×125
Exhaust position	Top / rear	Top / rear	Top / rear	Top / rear
Recommended installation height with an induction cooker (Hmin-Hmax) (mm)	650-750	650-750	650-750	600-750
Recommended installation height with an electric or ceramic cooker (Hmin-Hmax) (mm)	600-750	600-750	600-750	600-750
Recommended installation height with a gas cooker (Hmin-Hmax) (mm)	650-750	650-750	650-750	650-750

Air quantity and sound level

Type	Maximum free flow rate (m ³ /h)	Air quantity (m ³ /h) / pressure (Pa)			Noise level dB(A) sound pressure (re20μPa) / sound power (re 1pW)		
		Setting I	Setting II	Setting III	Setting I	Setting II	Setting III
936 Integrated motor	470	157 / 209	183 / 232	228 / 285	47 / 58	50 / 62	55 / 66
939 Integrated motor	470	156 / 218	183 / 251	230 / 283	48 / 59	51 / 63	55 / 67
949 Integrated motor	940	297 / 202	349 / 229	430 / 263	50 / 62	54 / 65	59 / 70
950 Integrated motor	940	304 / 213	355 / 238	435 / 277	51 / 63	54 / 66	58 / 69

Noise levels measured in accordance with IEC 60704-2-13 standards, flow rates according to IEC 61591.

Technical drawings



Accessories

Miscellaneous	Reference	Reference			
		936	939	949	950
Grease filter (replacement)	906.109	•	•		
Grease filter (replacement) (2 pcs to order)	906.109			•	•





Wall-mounted cooker hoods

Novy Vision

Novy Flatline

Novy Salsa



Width	Novy Vision	Novy Flatline	Novy Salsa
60 cm			■
75 cm	■		
90 cm	■	■	■
120 cm	■	■	
Colour	Novy Vision	Novy Flatline	Novy Salsa
White	■		
Stainless steel		■	■
Mineral Black		■	
Black	■		■
Motor	Novy Vision	Novy Flatline	Novy Salsa
Integrated	■	■	■
Not included	■	■	
Exhaust	Novy Vision	Novy Flatline	Novy Salsa
To the outside	■	■	■
Recirculation	■	Optional	Optional

p. 174

p. 182

p. 188

Novy Vision

- Modern, clean look
- Option to install without a chimney with an exhaust to the back
- Models with recirculation as standard, making an exhaust to the outside unnecessary (carbon filter with a life span of up to 900 cooking hours)
- Subtle LED lighting (2,700 K)



Distance
Maximum distance between cooker hood and hob.



InTouch
Function for controlling the cooker hood from the hob in option



Recirculation
Standard for: 7856, 7858, 7859, 7836, 7838, 7839, 7848, 7849



In option



Width (cm)	Motor	Colour	EEI	Flow power function (m³/h)	Sound level during normal use in dB(A) (re 1 pW)		Ref.
					Minimum	Maximum	
75	Integrated	Black / stainless steel	A+	788	35	51	7850 ⁽³⁾
	Integrated	Black / black	A+	788	35	51	7853 ⁽³⁾
	Integrated	White / stainless steel	A+	788	35	51	7851 ⁽³⁾
	Integrated	Black / stainless steel		478	45	64	7858 ⁽³⁾ Recirculation
	Integrated	Black / black		478	45	64	7856 ⁽³⁾ Recirculation
	Integrated	White / stainless steel		478	45	64	7859 ⁽³⁾ Recirculation
90	Integrated	Black / stainless steel	A+	780	35	51	7830
	Integrated	Black / black	A+	780	35	51	7833
	Integrated	White / stainless steel	A+	780	35	51	7831
	Not included	Black / stainless steel	(1)		(1)	(1)	7835 ⁽¹⁾
	Integrated	Black / stainless steel		490	45	66	7838 Recirculation
	Integrated	Black / black		490	45	66	7836 Recirculation
	Integrated	White / stainless steel		490	45	66	7839 Recirculation
	Integrated	Black / stainless steel	A+	784	32	52	7840
120	Integrated	White / stainless steel	A+	784	32	52	7841
	Integrated	Black / stainless steel		490	45	66	7848 Recirculation
	Integrated	White / stainless steel		490	45	66	7849 Recirculation
	Integrated	Black / stainless steel		490	45	66	7849 Recirculation

Noise levels measured in accordance with IEC 60704-2-13 standards, flow rates according to IEC 61591.

(1) This model should be connected to an internal motor type 245.999, a wall motor type 445.999 or roof motor type 745.999 of 755.999 (see accessories). The air volume/noise level depends on the type of motor and installation.
 (3) These models are only to be used above a hob up to 65 cm wide and with up to 4 cooking zones.



Technical specifications



Novy Vision 75 cm
7850 black glass / st. steel
7853 black glass / black
7851 white glass / st. steel



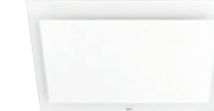
Novy Vision 75 cm
7858 black glass / st. steel
7856 black glass / black
7859 white glass / st. steel



Novy Vision 90 cm
7830 black glass / st. steel
7833 black glass / black
7831 white glass / st. steel



Novy Vision 90 cm
7835 black glass / st. steel
Motor not included



Novy Vision 90 cm
7838 black glass / st. steel
7836 black glass / black
7839 white glass / st. steel



Novy Vision 120 cm
7840 black glass / st. steel
7841 white glass / st. steel



Novy Vision 120 cm
7848 black glass / st. steel
7849 white glass / st. steel

Functions			
Controls	Touch control	Touch control	Touch control
Number of speed settings	3 + power function	3 + power function	3 + power function
Power setting with automatic downshift (min.)	6	6	6
With noise reduction	•	•	•
Recirculation		• (monoblock)	
InTouch function for hobs	Optional	Optional	Optional
Auto-Stop, automatic switch-off after 3 hours	•	•	•
Run-on timer (min.)	10	30	10
Cleaning indicator for grease filter	•	•	•
Replacement indicator for recirculation filter		•	

Lighting			
Type of lighting (number/W)	LED (2x2)	LED (2x2)	LED (2x2)
Lighting colour (K)	2,700	2,700	2,700

Technical characteristics			
Integrated motor	•	•	•
Motor not included (suitable for wall motor, flat roof motor outside)			
Weight cooker hood / motor casing (kg)	27.5	22.5	30
Mains voltage (V) / Electrical connection value (W)	230 / 325	230 / 200	230 / 305

Dimensions			
Dimensions (BxD) (mm)	748x426	748x426	898x426
Height of the cooker hood (Hmin–Hmax) (mm)	517 (Rear exhaust) / 830–1100 (Top exhaust)	517	517 (Rear exhaust) / 830–1100 (Top exhaust)
Maximum height with shaft extension (mm) optional	1390		1390
Exhaust opening diameter (mm)	150		150
Exhaust position	Top / rear	Top	Top / rear
Recommended installation height with an induction cooker (Hmin–Hmax) (mm)	500–750	500–750	500–750
Recommended installation height with an electric or ceramic cooker (Hmin–Hmax) (mm)	500–750	500–750	500–750
Recommended installation height with a gas cooker (Hmin–Hmax) (mm)	650–750	650–750	650–750

Touch control	Touch control	Touch control	Touch control
3 + power function	3 + power function	3 + power function	3 + power function
6	6	6	6
•	•	•	•
	• (monoblock)		• (monoblock)
Optional	Optional	Optional	Optional
•	•	•	•
10	30	10	30
•	•	•	•
	•		•

LED (2x2)	LED (2x2)	LED (2x2)	LED (2x2)
2,700	2,700	2,700	2,700

•	•	•	•
25 + motor	25	32.5	27.5
230 / 7 + motor	230 / 200	230 / 325	230 / 200

898x426	898x426	1198x426	1198x426
517 (Rear exhaust) / 830–1100 (Top exhaust)	517	517 (Rear exhaust) / 830–1100 (Top exhaust)	517
1390		1390	
150		150	
Top / rear	Top	Top / rear	Boven
500–750	500–750	500–750	500–750
500–750	500–750	500–750	500–750
650–750	650–750	650–750	650–750

Air quantity and sound level

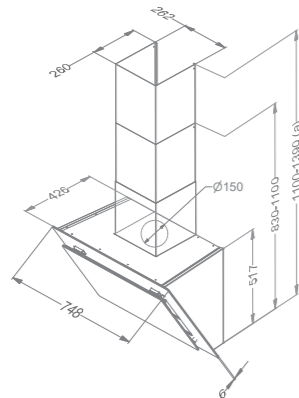
Type	Maximum free flow rate (m³/h)	Air quantity (m³/h) / pressure (Pa)				Noise level dB(A) sound pressure (re20µPa) / sound power (re 1pW)			
		Setting I	Setting II	Setting III	Power setting	Setting I	Setting II	Setting III	Power setting
7850, 7853, 7851 Integrated motor	800	248 / 327	333 / 492	495 / 550	788 / 577	25 / 35	33 / 43	40 / 51	51 / 62
7858, 7856, 7859 Integrated motor	800	126	191	418	478	34 / 45	45 / 55	53 / 64	59 / 70
7830, 7833, 7831 Integrated motor	800	245 / 332	348 / 505	500 / 567	780 / 586	25 / 35	32 / 42	41 / 51	51 / 62
7835 Not included	(1)	(1)	(1)	(1)	(1)	(1)	(1)	(1)	(1)
7838, 7836, 7839 Integrated motor	800	124	196	394	490	34 / 45	45 / 55	55 / 66	59 / 70
7840, 7841 Integrated motor	800	239 / 321	318 / 501	483 / 558	784 / 589	25 / 32	32 / 42	41 / 52	51 / 62
7848, 7849 Integrated motor	800	124	196	394	490	35 / 45	45 / 55	56 / 66	60 / 70

Noise levels measured in accordance with IEC 60704-2-13 standards, flow rates according to IEC 61591.

Technical drawings

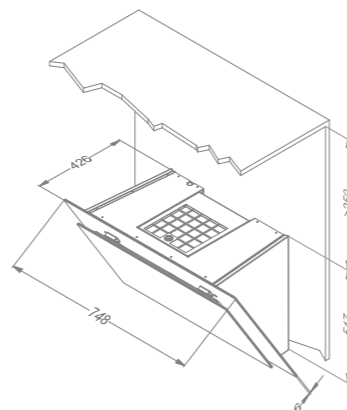
Novy Vision 75 cm

7850 / 7853 / 7851



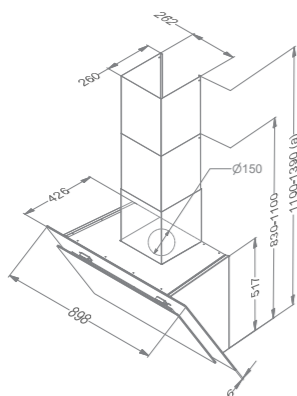
Novy Vision 75 cm

7858 / 7856 / 7859



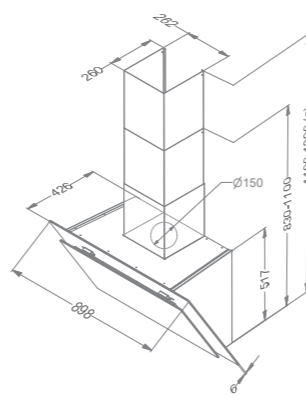
Novy Vision 90 cm

7830 / 7833 / 7831



Novy Vision 90 cm

7835

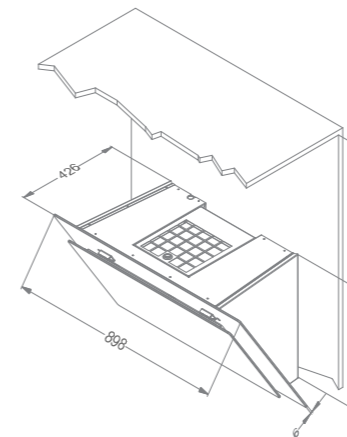


a) With chimney extension

(1) This model should be connected to an internal motor type 245.999, a wall motor type 445.999 or roof motor type 745.999 of 755.999 (see accessories). The air volume/noise level depends on the type of motor and installation.

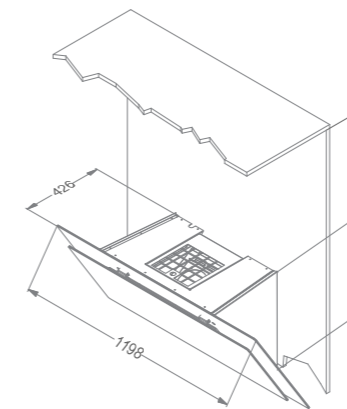
Novy Vision 90 cm

7838 / 7836 / 7839



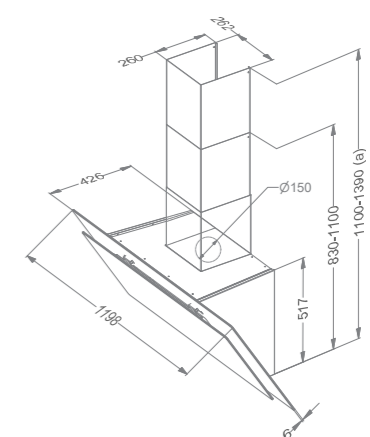
Novy Vision 90 cm

7848 / 7849



Novy Vision 120 cm

7840 / 7841



Electrical connection

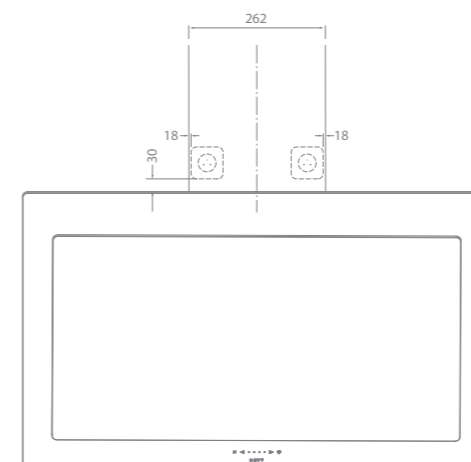
With exhaust to the outside

Option 1

- The cooker hood is mounted with a chimney and the air outlet is upwards.
- The mains socket is placed behind the chimney.

Option 2

- The cooker hood is mounted without a chimney and the air outlet is to the rear.
- The mains socket is placed directly above the cooker hood (minimum distance 30mm).



Recirculation

Electrical connection of the cooker hood

- The mains socket is placed directly above the cooker hood (minimum distance 30mm).

a) With chimney extension

Accessories

	Reference	7850 / 7851	7853	7858 / 7859	7856	7830 / 7831	7833	7835	7838 / 7839	7836	7840 / 7841	7848 / 7849
Motor at a distance												
Remote motor for inside	245.999							•				
Wall motor, minimum 5 m between cooker hood and motor	445.999							•				
Roof motor 48.8 cm height	745.999							•				
Roof motor with noise reduction 78.4 cm height	755.999							•				

Accessories

	Reference	7850 / 7851	7853	7858 / 7859	7856	7830 / 7831	7833	7835	7838 / 7839	7836	7840 / 7841	7848 / 7849
Miscellaneous												
Kit with LED lighting (4,000 K)	906.303	•	•	•	•	•	•	•	•	•	•	•
Chimney extension stainless steel	7830.100	•				•		•			•	
Chimney extension black	7833.100		•				•					
Grease filter (replacement) (2 pcs to order)	7830.020	•	•	•	•	•	•	•	•	•	•	•
Kit for InTouch including an interface (to be mounted before installation of the hood as a replacement for the original interface) and a remote control	990.021	•	•	•	•	•	•	•	•	•	•	•
Extension cable for remote motors (5 m)	7000.092							•				
Recirculation												
Monoblock replacement filter	7400.055			•	•				•	•		•



Novy Flatline

- Extra slim lines
- Seamless finish
- Subtle looking LED lighting (2,700 K)
- Reversible chimney for recirculation as standard
- Recirculation optional: carbon filter with a life span of up to 900 cooking hours



Distance
Maximum distance between cooker hood and hob.



InTouch
Standard with function for controlling the cooker hood from the hob.



Recirculation
Recirculation is optional.



In option

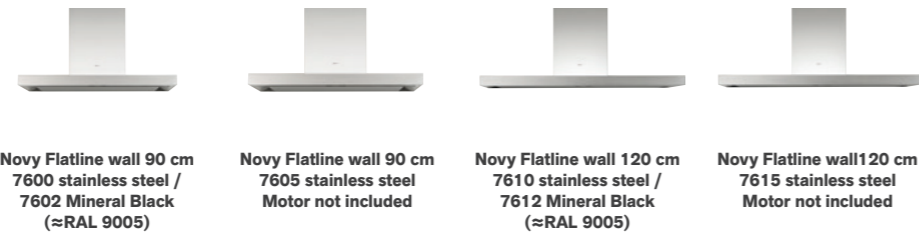


Width (cm)	Motor	Colour	EEI	Flow power function (m ³ /h)	Sound level during normal use in dB(A) (re 1 pW)		Ref.
					Minimum	Maximum	
90	Integrated	Stainless steel	A+	635	35	55	7600
	Integrated	Mineral Black	A+	635	35	55	7602
	Not included ⁽¹⁾	Stainless steel	(¹⁾)	(¹⁾)	(¹⁾)	(¹⁾)	7605
120	Integrated	Stainless steel	A+	631	36	55	7610
	Integrated	Mineral Black	A+	631	36	55	7612
	Not included ⁽¹⁾	Stainless steel	(¹⁾)	(¹⁾)	(¹⁾)	(¹⁾)	7615

Noise levels measured in accordance with IEC 60704-2-13 standards, flow rates according to IEC 61591.

⁽¹⁾ This model should be connected to an internal motor type 245.999, a wall motor type 445.999 or roof motor type 745.999 of 755.999 (see accessories). The air volume/noise level depends on the type of motor and installation.

Technical specifications



Functions	Novy Flatline wall 90 cm 7600 stainless steel / 7602 Mineral Black (≈RAL 9005)	Novy Flatline wall 90 cm 7605 stainless steel Motor not included	Novy Flatline wall 120 cm 7610 stainless steel / 7612 Mineral Black (≈RAL 9005)	Novy Flatline wall 120 cm 7615 stainless steel Motor not included
Controls	Buttons	Buttons	Buttons	Buttons
Number of speed settings	3 + power function	3 + power function	3 + power function	3 + power function
Power setting with automatic downshift (min.)	6	6	6	6
With noise reduction	•	•	•	•
Recirculation	Optional (monoblock)		Optional (monoblock)	
InTouch function for hobs	•	•	•	•
Auto-Stop, automatic switch-off after 3 hours	•	•	•	•
Run-on timer (min.)	10	10	10	10
Cleaning indicator for grease filter	•	•	•	•
Replacement indicator for recirculation filter	•		•	

Lighting	Novy Flatline wall 90 cm 7600 stainless steel / 7602 Mineral Black (≈RAL 9005)	Novy Flatline wall 90 cm 7605 stainless steel	Novy Flatline wall 120 cm 7610 stainless steel / 7612 Mineral Black (≈RAL 9005)	Novy Flatline wall 120 cm 7615 stainless steel
Type of lighting (number/W)	LED (4×2) / dimmable	LED (4×2) / dimmable	LED (4×2) / dimmable	LED (4×2) / dimmable
Lighting colour (K)	2,700	2,700	2,700	2,700

Technical characteristics	Novy Flatline wall 90 cm 7600 stainless steel / 7602 Mineral Black (≈RAL 9005)	Novy Flatline wall 90 cm 7605 stainless steel	Novy Flatline wall 120 cm 7610 stainless steel / 7612 Mineral Black (≈RAL 9005)	Novy Flatline wall 120 cm 7615 stainless steel
Colour	7600 stainless steel / 7602 Mineral Black (≈RAL 9005)	7605 stainless steel	7610 stainless steel / 7612 Mineral Black (≈RAL 9005)	7615 stainless steel
Integrated motor	•		•	
Motor not included (suitable for wall motor, flat roof motor outside)		•		•
Weight cooker hood / motor casing (kg)	30	27 + motor	38.5	35.5 + motor
Mains voltage (V) / Electrical connection value (W)	230 / 118	230 / 12 + motor	230 / 117	230 / 12 + motor

Dimensions	Novy Flatline wall 90 cm 7600 stainless steel / 7602 Mineral Black (≈RAL 9005)	Novy Flatline wall 90 cm 7605 stainless steel	Novy Flatline wall 120 cm 7610 stainless steel / 7612 Mineral Black (≈RAL 9005)	Novy Flatline wall 120 cm 7615 stainless steel
Dimensions (W×D×H) (mm)	898×554	898×554	1198×554	1198×554
Height of the cooker hood (Hmin–Hmax) (mm)	660–1050	660–1050	660–1050	660–1050
Height of the cooker hood with recirculation (Hmin–Hmax) (mm)			730–1120	
Maximum height with shaft extension (mm) optional	1410	1410	1410	1410
Maximum height with shaft extension with recirculation (mm) optional	1480		1480	
Exhaust opening diameter (mm)	150	150	150	150
Exhaust position	Top	Top	Top	Top
Recommended installation height with an induction cooker (Hmin–Hmax) (mm)	650–750	650–750	650–750	650–750
Recommended installation height with an electric or ceramic cooker (Hmin–Hmax) (mm)	600–750	600–750	600–750	600–750
Recommended installation height with a gas cooker (Hmin–Hmax) (mm)	650–750	650–750	650–750	650–750

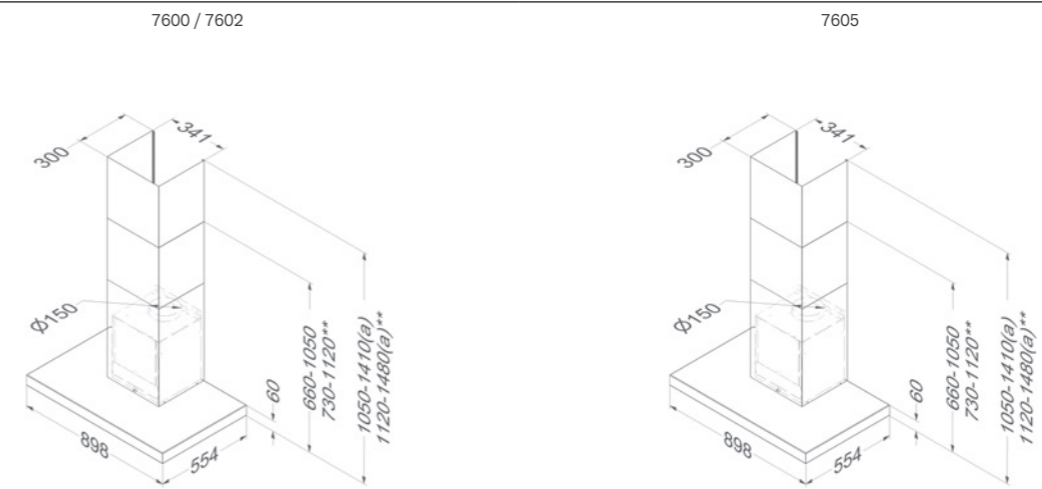
Air quantity and sound level

Type	Maximum free flow rate (m³/h)	Air quantity (m³/h) / pressure (Pa)				Noise level dB(A) sound pressure (re20µPa) / sound power (re 1pW)			
		Setting I	Setting II	Setting III	Setting IV / Power setting	Setting I	Setting II	Setting III	Setting IV / Power setting
7600, 7602 Integrated motor	815	233 / 70	415 / 240	551 / 384	635 / 385	24 / 35	36 / 47	44 / 55	46 / 57
7605 Not included		(1)	(1)	(1)	(1)	(1)	(1)	(1)	(1)
7610, 7612 Integrated motor	815	259 / 83	420 / 247	550 / 380	631 / 381	26 / 36	38 / 49	44 / 55	48 / 59
7615 Not included		(1)	(1)	(1)	(1)	(1)	(1)	(1)	(1)

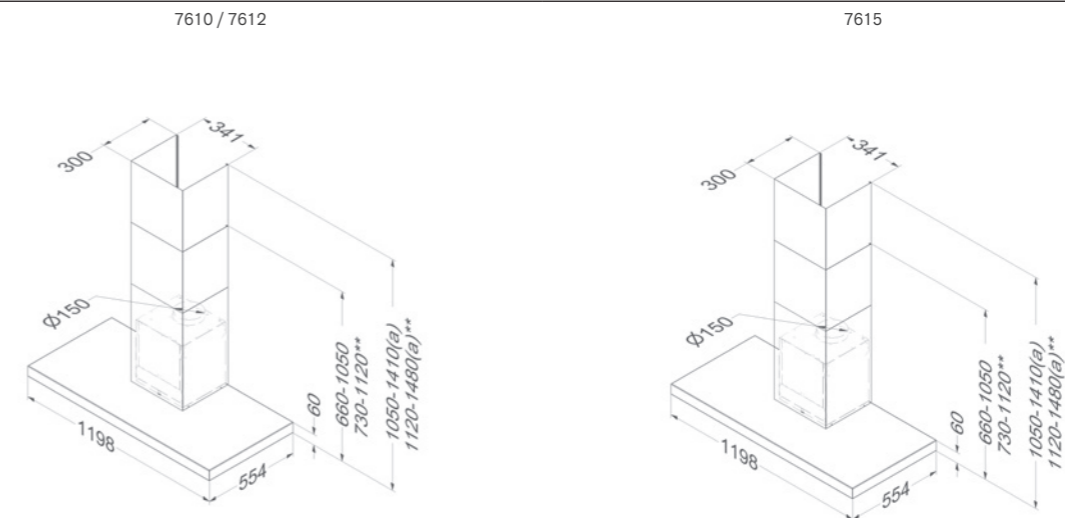
Noise levels measured in accordance with IEC 60704-2-13 standards, flow rates according to IEC 61591.

Technical drawings

Novy Flatline wall 90 cm



Novy Flatline wall 120 cm



a) With chimney extension - **With recirculation

(1) This model should be connected to an internal motor type 245.999, a wall motor type 445.999 or roof motor type 745.999 of 755.999 (see accessories). The air volume/noise level depends on the type of motor and installation.

Accessories

	Reference	7600	7602	7605	7610	7612	7615
Motor at a distance							
Remote motor for inside	245.999			•			•
Wall motor, minimum 5 m between cooker hood and motor	445.999			•			•
Roof motor 48.8 cm height	745.999			•			•
Roof motor with noise reduction 78.4 cm height	755.999			•			•
Miscellaneous							
Chimney extension Stainless steel	7600.100	•		•	•		•
Chimney extension Mineral Black	7602.150		•			•	
Grease filter (replacement)	7530.020	•	•	•	•	•	•
Kit with LED lighting (4,000 K)	906.307	•	•	•	•	•	•
Remote control (white)	840.029	•	•	•	•	•	•
Remote control (black)	840.049	•	•	•	•	•	•
Extension cable for remote motors (5 m)	7000.092			•			•
Kit connection with external cover and/or lighting	990.030	•	•	•	•	•	•

Accessories

	Reference	7600	7602	7605	7610	7612	7615
Recirculation							
Recirculation kit	7600.400	•	•		•	•	
Monoblock replacement filter	7600.060	•	•		•	•	



Novy Salsa

- Slim design
- High quality simplicity
- Easy and simple control
- Reversible chimney for recirculation as standard
- Subtle LED lighting (3,000 K)



Distance
Maximum distance between cooker hood and hob.



Recirculation
Recirculation is optional.

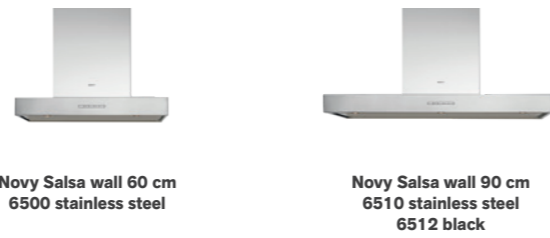


Width (cm)	Motor	Colour	EEI	Flow power function (m³/h)	Sound level during normal use in dB(A) (re 1 pW)		Ref.
					Minimum	Maximum	
60	Integrated	Stainless steel	A	617	48	58	6500
90	Integrated	Stainless steel	A	640	45	57	6510
	Integrated	Black	A	640	45	57	6512

Noise levels measured in accordance with IEC 60704-2-13 standards, flow rates according to IEC 61591.



Technical specifications



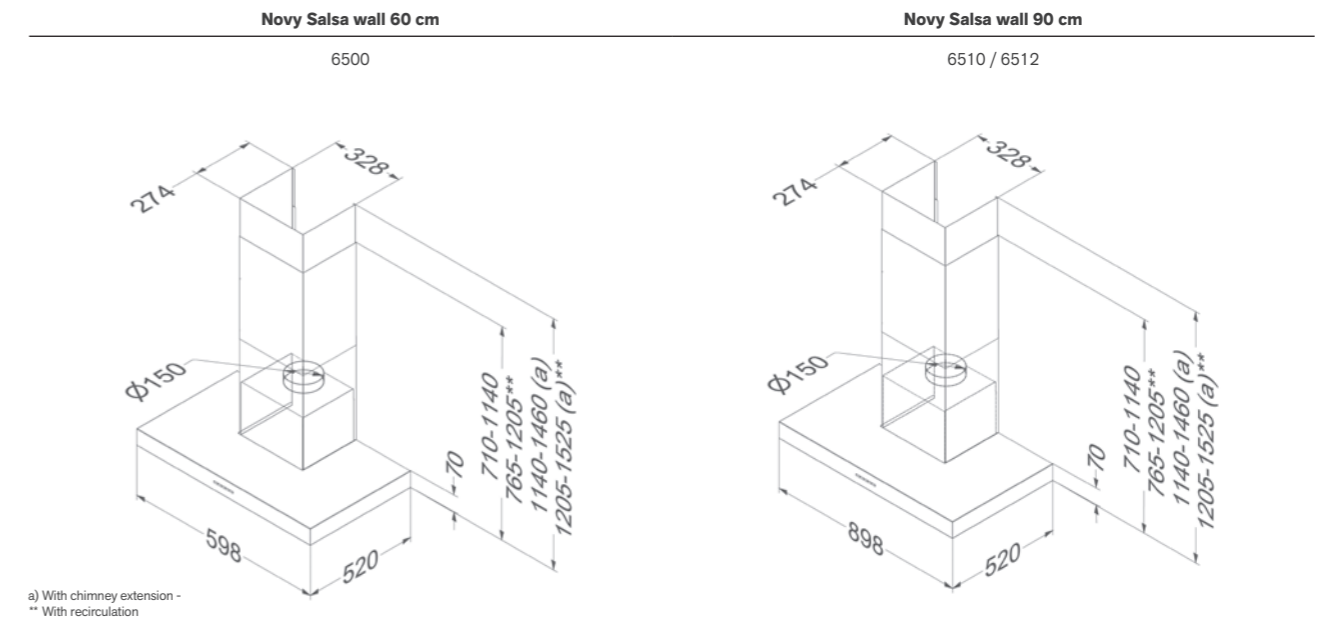
Functions		
Controls	Buttons	Buttons
Number of speed settings	3 + power function	3 + power function
Power setting with automatic downshift (min.)	5	5
Recirculation	Optional (Carbon cartridge replacement)	Optional (Carbon cartridge replacement)
Run-on timer (min.)	5, 10, 15, 20	5, 10, 15, 20
Cleaning indicator for grease filter	•	•
Replacement indicator for recirculation filter	•	•
Lighting		
Type of lighting (number/W)	LED (2x2)	LED (3x2)
Lighting colour (K)	3,000	3,000
Technical characteristics		
Colour	6500 stainless steel	6510 stainless steel 6512 black (≈RAL 9005)
Integrated motor	•	•
Weight cooker hood / motor casing (kg)	18	20
Mains voltage (V) / Electrical connection value (W)	230 / 210	230 / 241
Dimensions		
Dimensions (BxD) (mm)	598x520	898x520
Height of the cooker hood (Hmin–Hmax) (mm)	710–1140	710–1140
Height of the cooker hood with recirculation (Hmin–Hmax) (mm)	765–1205	765–1205
Maximum height with shaft extension (mm) optional	1460	1460
Maximum height with shaft extension with recirculation (mm) optional	1525	1525
Exhaust opening diameter (mm)	150	150
Exhaust position	Top	Top
Recommended installation height with an induction cooker (Hmin–Hmax) (mm)	650–750	650–750
Recommended installation height with an electric or ceramic cooker (Hmin–Hmax) (mm)	600–750	600–750
Recommended installation height with a gas cooker (Hmin–Hmax) (mm)	650–750	650–750

Air quantity and sound level

Type	Maximum free flow rate (m³/h)	Air quantity (m³/h) / pressure (Pa)				Noise level dB(A) sound pressure (re20µPa) / sound power (re 1pW)			
		Setting I	Setting II	Setting III	Power setting	Setting I	Setting II	Setting III	Power setting
6500 Integrated motor	700	244 / 403	318 / 468	419 / 512	617 / 549	36 / 48	41 / 53	47 / 58	55 / 67
6510, 6512 Integrated motor	700	248 / 413	329 / 466	423 / 505	640 / 544	33 / 45	38 / 51	44 / 57	54 / 66

Noise levels measured in accordance with IEC 60704-2-13 standards, flow rates according to IEC 61591.

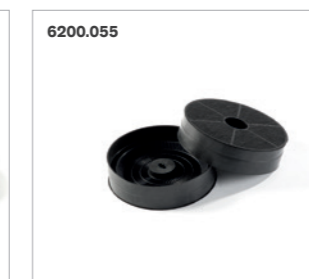
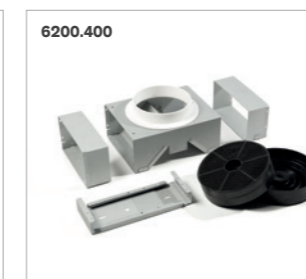
Technical drawings



a) With chimney extension -
** With recirculation

Accessories

	Reference	6500	6510	6512
Motor at a distance				
Chimney extension Stainless steel	6200.100	•	•	
Chimney extension Black	6512.100			•
Grease filter (replacement)	6200.020	•		
Grease filter (replacement) (2 pcs to order)	6200.020		•	•
Recirculation				
Recirculation kit	6200.400	•	•	•
Carbon cartridge replacements (replacement)	6200.055	•	•	•





Island cooker hoods

Novy Phantom



Novy Pureline Frame



Novy Mood



Novy Flatline



Width

90 cm				■
100 cm				■
108 cm			■	
120 cm				■
130 cm	■			

Colour

White			■	
Stainless steel				■
Mineral Black	■	■	■	■

Motor

Integrated	■	■	■	■
Not included				■

Exhaust

To the outside				■
Recirculation	■	■	■	Optional

p. 194

p. 200

p. 208

p. 212

BIG SEE
Product Design
Award 2023
Winner

Kitchen
Innovation
Award 2022

DESIGN
AWARD
2022

reddot winner 2022



NOVY

PREMIUM
INNOVATION
PRODUCT

Novy Phantom Frame & Novy Phantom Cable / Island cooker hoods 194-195

Novy Phantom Frame & Novy Phantom Cable

- Light translucent glass for an eye-catcher in the kitchen
- Novy Phantom Frame has a subtle frame for an industrial look
- Novy Phantom Cable has a height-adjustable steel cable for a floating effect
- Four corner spotlights bring the box-in-box design to life (2,700 K)
- Dimmable LED strip creates ambient upward scattered light (2,700 K)
- Functional dimmable cooking light - colour intensity can be selected (2,700 K to 4,000 K)
- Integrated recirculation solution for optimal energy efficiency (carbon filter with a life span of up to 900 cooking hours)
- Operation possible via Novy Connect App, as well as via remote control



Distance
Maximum distance
between cooker hood
and hob.



InTouch
Standard with function
for controlling the cooker
hood from the hob.



Recirculation
Standard with recirculation.



Novy Connect
Operation and settings
possible via smartphone
or tablet.



	Width (cm)	Motor	Colour	Flow power function (m ³ /h)	Sound level during normal use in dB(A) (re 1 pW)		Ref.
					Minimum	maximum	
Phantom Frame	130	Integrated	Mineral Black	501	40	59	7540
Phantom Cable	130	Integrated	Mineral Black	501	40	59	7530

Noise levels measured in accordance with IEC 60704-2-13 standards, flow rates according to IEC 61591.

Video
Novy Phantom



ABOUT
NOVY

COOKER
HOOD
GUIDELINES

VENTING
HOODS

CEILING
UNITS

BUILT-IN
COOKER
HOODS

TELESCOPIC
COOKER
HOODS

WALL-
MOUNTED
COOKER
HOODS

ISLAND
COOKER
HOODS

COOKER
HOOD
ACCESSORIES

HOBS

DESIGNER
LIGHTING

INFO

Technical specifications



**Novy Phantom Frame
7540**



**Novy Phantom Cable
7530**

Functions

Functions	Remote control (black) / Novy Connect	Remote control (black)/ Novy Connect
Controls	Remote control (black) / Novy Connect	Remote control (black)/ Novy Connect
Number of speed settings	3 + power function	3 + power function
Power setting with automatic downshift (min.)	6	6
With noise reduction	•	•
Recirculation	• (monoblock)	• (monoblock)
InTouch function for hobs	•	•
Auto-Stop, automatic switch-off after 3 hours	•	•
Run-on timer (min.)	30	30
Cleaning indicator for grease filter	•	•
Replacement indicator for recirculation filter	•	•

Functional lighting

Functional lighting	Novy Phantom Frame 7540	Novy Phantom Cable 7530
Type of lighting (number/W)	LED (4x2)	LED (4x2)
Dimmable lighting	•	•
Lighting colour (K)	Default setting 2,700 (adjustable between 2,700 and 4,000)	Default setting 2,700 (adjustable between 2,700 and 4,000)

Mood lighting

Mood lighting	Novy Phantom Frame 7540	Novy Phantom Cable 7530
Corner spots: Type of lighting (number/W)	LED (4x2)	LED (4x2)
LED strip: Type of lighting (W)	LED (43)	LED (43)
Dimmable lighting	•	•
Lighting colour (K)	2,700	2,700

Technical characteristics

Technical characteristics	Novy Phantom Frame 7540	Novy Phantom Cable 7530
Integrated motor	•	•
Weight cooker hood / motor casing (kg)	51	45
Mains voltage (V) / Electrical connection value (W)	230 / 159	230 / 159

Dimensions

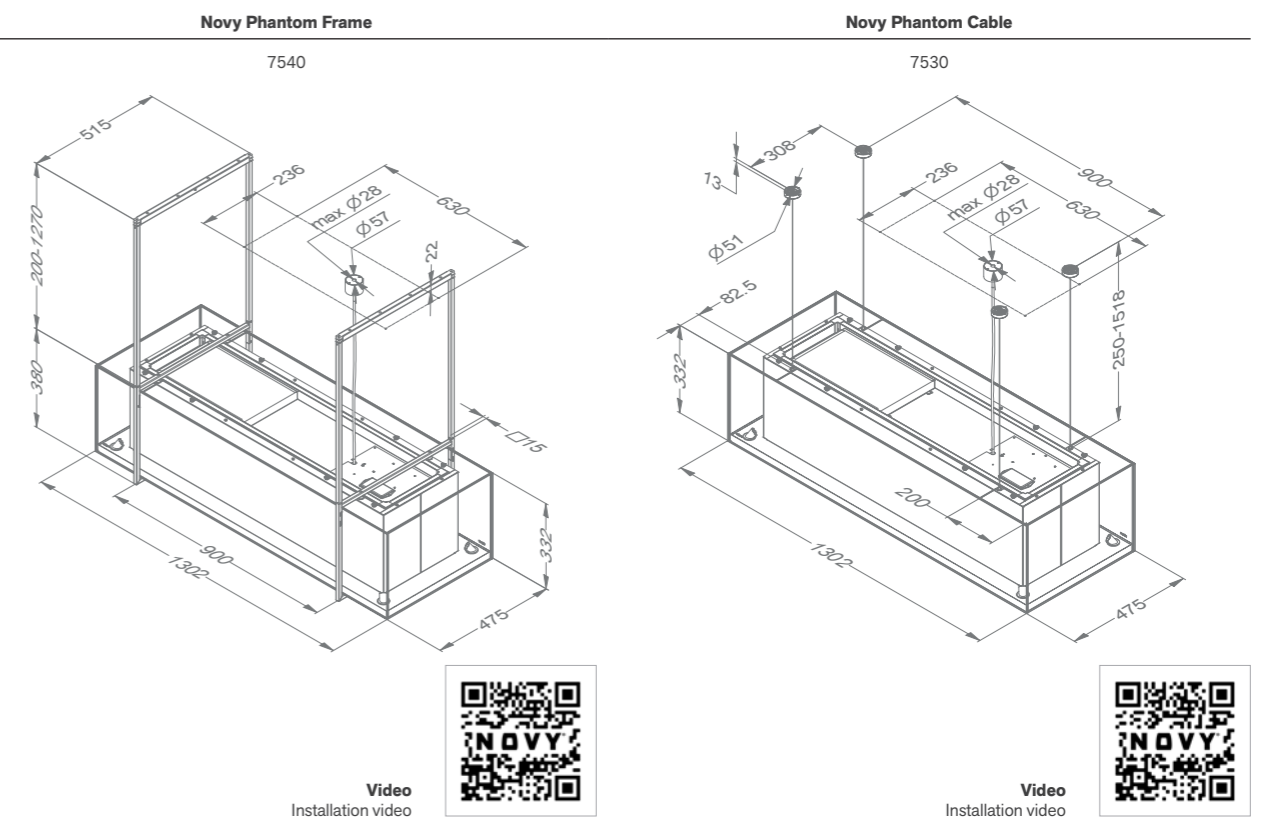
Dimensions	Novy Phantom Frame 7540	Novy Phantom Cable 7530
Dimensions (BxD) (mm)	1302x475	1302x475
Height of the cooker hood (glass box) (mm)	332	332
Minimum total height of the cooker hood (mm)	582	582
Maximum total height of the cooker hood (mm)	1,650	1,850
Exhaust position	Top	Top
Recommended installation height with an induction cooker (Hmin–Hmax) (mm)	650–850	650–850
Recommended installation height with an electric or ceramic cooker (Hmin–Hmax) (mm)	600–850	600–850
Recommended installation height with a gas cooker (Hmin–Hmax) (mm)	650–850	650–850

Air quantity and sound level

Type	Maximum free flow rate (m³/h)	Air quantity (m³/h) / pressure (Pa)				Noise level dB(A) sound pressure (re20µPa) / sound power (re 1pW)				
		Setting I	Setting II	Setting III	Setting IV	Setting I	Setting II	Setting III	Setting IV	
7540, 7530	Integrated motor	815	142	280	393	501	27 / 40	41 / 53	46 / 59	50 / 63

Noise levels measured in accordance with IEC 60704-2-13 standards, flow rates according to IEC 61591.

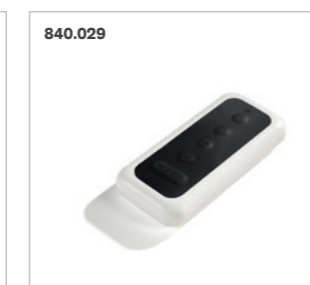
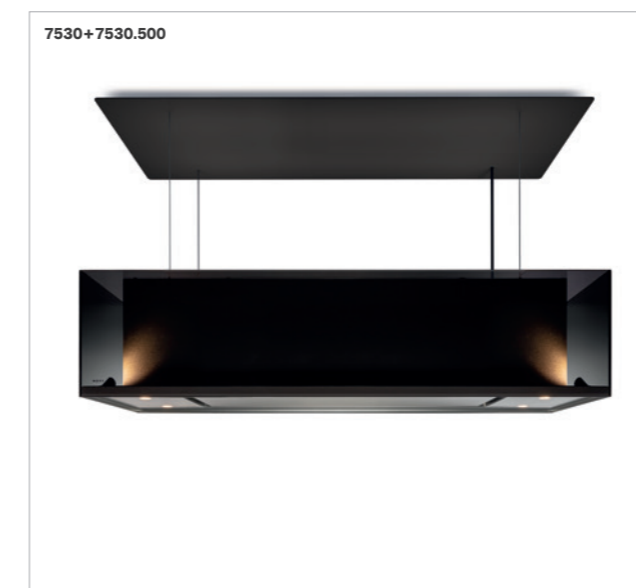
Technical drawings





Accessories

	Reference	7540	7530
Miscellaneous			
Grease filter (replacement)	7530.020	•	•
Kit of longer suspension cables (4 × 3.5 m)	7530.100		•
Ceiling plate Mineral Black	7530.500		•
Remote control (white)	840.029	•	•
Recirculation			
Monoblock replacement filter	7300.055	•	•





NOVY

PREMIUM
INNOVATION
PRODUCT

Novy Pureline Frame

- Width and arrangement can be adapted to individual needs thanks to modular construction
- Sheet material is an important part of the kitchen, therefore it is not included in the delivery, but provided by your professional kitchen fitter
- Optimum efficiency even with wide cooking surfaces (fume hood range B 90/120cm and D 50cm)
- Dimmable LED illumination warm white (2,700 K), adjustable to neutral white (4,000 K) for illumination of worktop
- Integrated recirculation solution for optimal energy efficiency (carbon filter with a life span of up to 900 cooking hours)



Distance
Maximum distance between cooker hood and hob.



InTouch
Standard with function for controlling the cooker hood from the hob.



Recirculation
Standard with recirculation.



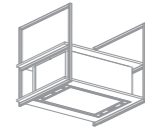
Width (cm) cooker hood	Motor	Colour	Frame (number)	Frame height (cm)	Lighting kits (number)	Flow power function (m³/h)	Sound level during normal use in dB(A) (re 1 pW)		Ref.
							Minimum	maximum	
90	Integrated	Mineral Black	2	70	-	520	39	59	15001
	Integrated	Mineral Black	3	70	1	520	39	59	15003
	Integrated	Mineral Black	4	70	2	520	39	59	15005
	Integrated	Mineral Black	2	80	-	520	39	59	15007
	Integrated	Mineral Black	3	80	1	520	39	59	15009
	Integrated	Mineral Black	4	80	2	520	39	59	15011
120	Integrated	Mineral Black	2	70	-	520	39	59	15002
	Integrated	Mineral Black	3	70	1	520	39	59	15004
	Integrated	Mineral Black	4	70	2	520	39	59	15006
	Integrated	Mineral Black	2	80	-	520	39	59	15008
	Integrated	Mineral Black	3	80	1	520	39	59	15010
	Integrated	Mineral Black	4	80	2	520	39	59	15012

Noise levels measured in accordance with IEC 60704-2-13 standards, flow rates according to IEC 61591.

Video
Novy Pureline Frame

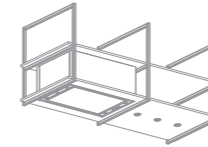


Technical specifications



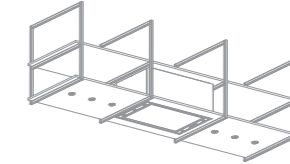
Cooker hood 90 cm
15001 frame height 70 cm /
15007 frame height 80 cm

Cooker hood 120 cm
15002 frame height 70 cm /
15008 frame height 80 cm



Cooker hood 90 cm
15003 frame height 70 cm /
15009 frame height 80 cm

Cooker hood 120 cm
15004 frame height 70 cm /
15010 frame height 80 cm



Cooker hood 90 cm
15005 frame height 70 cm /
15011 frame height 80 cm

Cooker hood 120 cm
15006 frame height 70 cm /
15012 frame height 80 cm

Funcities		
Controls	Buttons + Remote control (black)	Buttons + Remote control (black)
Number of speed settings	3 + powerfunction	3 + powerfunction
Power setting with automatic downshift (min.)	6	6
With noise reduction	•	•
Recirculation	• (Monoblock)	• (Monoblock)
InTouch function for hobs	•	•
Auto-Stop, automatic switch-off after 3 hours	•	•
Run-on timer (min.)	30	30
Cleaning indicator for grease filter	•	•
Replacement indicator for recirculation filter	•	•

Lighting cooker hood		
Type of lighting (number/W)	LED (4×2) / dimmable	LED (4×2) / dimmable
Lighting colour (K)	2.700 or 4.000	2.700 or 4.000

Lighting shelf		
Type of lighting (number/W)		
Lighting colour (K)		
Operation		

Technical characteristics		
Number of frames	2	2
Colour	Mineral Black (≈RAL 9005)	Mineral Black (≈RAL 9005)
Integrated motor	•	•
Ceiling cap electrical connection	•	•
Power cord length (mm)	180	180
Weight excl. shelf* (kg)	53	57
Mains voltage (V) / Electrical connection value (W)	230 / 117	230 / 117

Dimensions		
Dimensions cooker hood (W×D×H) (mm)	868×508	1168×508
Opening lower shelf (W×D) (mm)	845×485	1145×485
Dimensions housing cooker hood (W×D×H) (mm)	872×556×330	1172×556×330
Exhaust opening top shelf (W×D) (mm)	401×248	401×248
Exhaust position	Top	Top

Dimensions frame		
Dimensions (W×D) (mm)	25×806	25×806
Dimensions (H) (mm)	700 or 800	700 or 800
Depth of shelf material (mm)*	750	750
Thickness of shelf material (mm)*	18-25	18-25

Installation height		
Recommended installation height with an induction cooker (Hmin-Hmax) (mm)	650-850	650-850
Recommended installation height with an electric or ceramic cooker (Hmin-Hmax) (mm)	650-850	650-850
Installation height with gas hob (Hmin-Hmax) (mm)	650-850	650-850

Buttons + Remote control (black)	Buttons + Remote control (black)	Buttons + Remote control (black)	Buttons + Remote control (black)
3 + powerfunction	3 + powerfunction	3 + powerfunction	3 + powerfunction
6	6	6	6
•	•	•	•
• (Monoblock)	• (Monoblock)	• (Monoblock)	• (Monoblock)
•	•	•	•
•	•	•	•
30	30	30	30
•	•	•	•
•	•	•	•

LED (4×2) / dimmable	LED (4×2) / dimmable	LED (4×2) / dimmable	LED (4×2) / dimmable
2.700 or 4.000	2.700 or 4.000	2.700 or 4.000	2.700 or 4.000

LED (3×2) / dimmable	LED (3×2) / dimmable	LED (6×2) / dimmable	LED (6×2) / dimmable
2.700 or 4.000	2.700 or 4.000	2.700 or 4.000	2.700 or 4.000
Simultaneously with cooker hood	Simultaneously with cooker hood	Simultaneously with cooker hood	Simultaneously with cooker hood

3	3	4	4
Mineral Black (≈RAL 9005)	Mineral Black (≈RAL 9005)	Mineral Black (≈RAL 9005)	Mineral Black (≈RAL 9005)
•	•	•	•
•	•	•	•
180	180	180	180
61	66	69	74
230 / 123	230 / 123	230 / 129	230 / 129

868×508	1168×508	868×508	1168×508
845×485	1145×485	845×485	1145×485
872×556×330	1172×556×330	872×556×330	1172×556×330
401×248	401×248	401×248	401×248
Top	Top	Top	Top

25×806	25×806	25×806	25×806
700 or 800	700 or 800	700 or 800	700 or 800
750	750	750	750
18-25	18-25	18-25	18-25

650-850	650-850	650-850	600-850
650-850	650-850	650-850	600-850
650-850	650-850	650-850	600-850

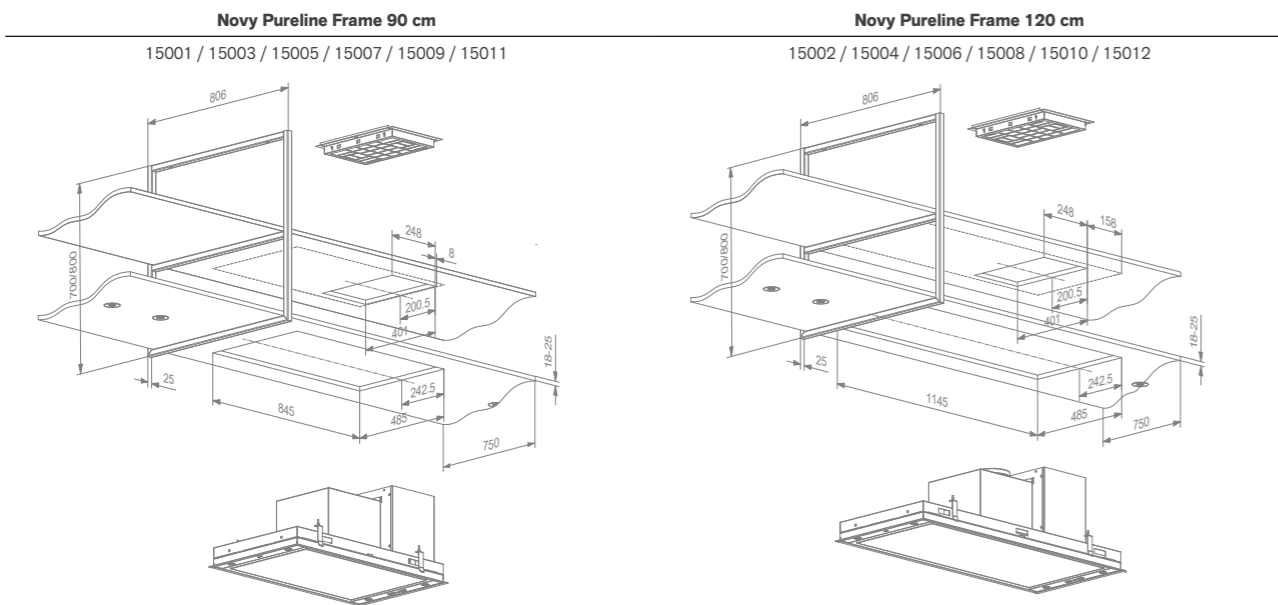
* Provide the shelf yourself, taking into account sufficient bearing capacity and the correct thickness.

Air quantity and sound level

Type	Maximum free flow rate (m³/h)	Air quantity (m³/h)				Noise level dB(A) sound pressure (re20µPa) / sound power (re 1pW)			
		Setting I	Setting II	Setting III	Power setting	Setting I	Setting II	Setting III	Power setting
15001, 15003, 15005, 15007, 15009, 15011 90 cm cooker hood	815	251	363	423	497	35 / 47	43 / 55	46 / 58	49 / 61
15002, 15004, 15006, 15008, 15010, 15012 120 cm cooker hood	815	252	379	445	508	35 / 47	42 / 54	45 / 58	48 / 61

Noise levels measured in accordance with IEC 60704-2-13 standards, flow rates according to IEC 61591.

Technical drawings



Accessories

Miscellaneous	Reference	15001 15003 15005 15007 15009 15011	15002 15004 15006 15008 15010 15012
Grease filter (replacement) (2 pcs to order)	6830.020	•	•
Monoblock replacement filter	7300.055	•	•
Remote control (white)	840.029	•	•

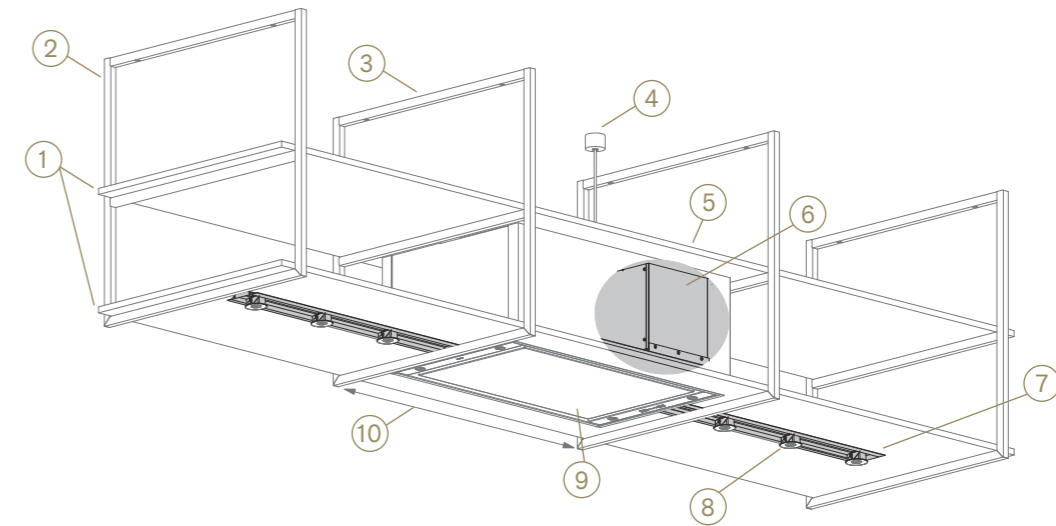
6830.020

7300.055

840.029

Video
Installation video

In detail

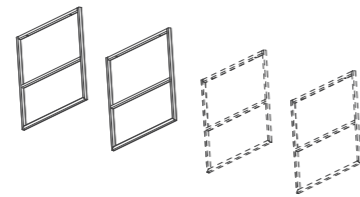


- ① Creative filling in of sheet material by professional kitchen fitter (thickness 18-25 mm / width 750 mm)
- ② Mineral Black (≈RAL 9005) painted ceiling frame (thickness 25 mm). Height frame 700 or 800 mm.
- ③ Width and arrangement can be adapted to individual needs thanks to modular construction (painted ≈ RAL 9005)
- ④ Black ceiling cap for electrical connection
- ⑤ Integrated recirculation solution for optimal energy efficiency
- ⑥ Behind the housing of the cooker hood you will find the motor and recirculation box
- ⑦ Tight cover for LED lights and connection. Easy to shorten
- ⑧ Dimmable LED lighting warm white (2,700 K), adjustable to neutral white (4,000 K) for worktop lighting. Each lighting kit contains 3 LEDs including wiring (number of lighting kits depends on the model). Depending on the design requirements, 2 or 3 LEDs can be fitted. Important note for the 4-frame model: the same number of spotlights must be used for both lighting sets.
- ⑨ Optimal efficiency even with wide cooking surfaces (fume hood range B 90/120cm and D 50cm)
- ⑩ Recommended maximum width distance frames between cooker hood is 1250 mm

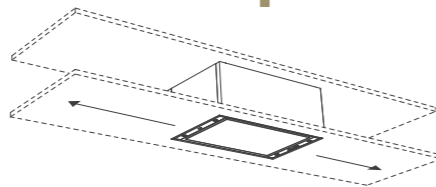


Customise your Novy Pureline Frame

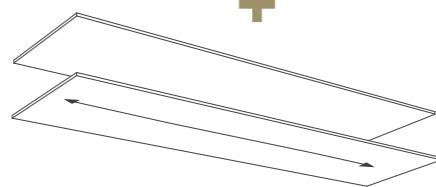
1 Determine the number and height of the frames



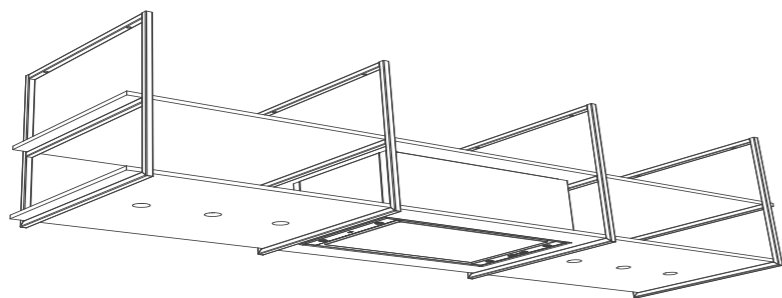
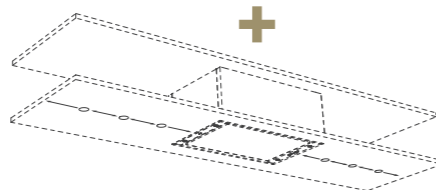
2 Determine the width of the cooker hood & the position in the frame



3 Determine the texture & design of your shelves (not included in kit)



4 Determine the position & the ambient light kit



Video
Customise your
Novy Pureline Frame





Novy Mood

- Efficient cooker hood and lighting in one
- Adjustable light intensity and colour temperature from 2,700 K to 5,000 K
- Recirculation as standard for additional planning options (carbon filter with a life span of up to 900 cooking hours)
- Extended lighting function for the right amount of light and atmosphere during and after cooking (cooking mode and mood mode)
- Operation and settings possible via smartphone or tablet (Novy Connect), as well as via remote control



Distance
Maximum distance between cooker hood and hob.



InTouch
Standard with function for controlling the cooker hood from the hob.



Recirculation
Standard with recirculation.



Novy Connect
Operation and settings possible via smartphone or tablet.



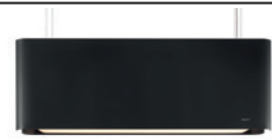
Width (cm)	Motor	Colour	Flow setting 4 (m³/h)	Sound level during normal use in dB(A) (re 1 pW)		Ref.
				Minimum	maximum	
108	Integrated	White	661	53	69	7550
	Integrated	Mineral Black	661	53	69	7552

Noise levels measured in accordance with IEC 60704-2-13 standards, flow rates according to IEC 61591.

Video
Novy Mood



Technical specifications



Novy Mood 108 cm
7550 white / 7552 Mineral Black

Functions

Controls	Remote control (black) / Novy Connect
Number of speed settings	4
With noise reduction	•
Recirculation	• (monoblock)
InTouch function for hobs	•
Auto-Stop, automatic switch-off after 3 hours	•
Run-on timer (min.)	30
Cleaning indicator for grease filter	•
Replacement indicator for recirculation filter	•

Lighting

Type of lighting (W)	LED (32) / dimmable
Lighting colour cooking mode (K)	Default setting 4,000 (adjustable between 2,700 and 5,000)
Lighting colour mode mode (K)	Default setting 2,700 (adjustable between 2,700 and 5,000)

Technical characteristics

Colour	7550 white (≈RAL 9003) / 7552 Mineral Black (≈RAL 9005)
Integrated motor	•
Weight cooker hood / motor casing (kg)	32
Mains voltage (V) / Electrical connection value (W)	230 / 196

Dimensions

Dimensions (BxD) (mm)	1080x246
Height of the Cooker hood (mm)	370
Minimum total height of the cooker hood (mm)	620
Maximum total height of the cooker hood (mm)	1,870
Exhaust position	Top
Recommended installation height with an induction cooker (Hmin-Hmax) (mm)	650-850
Recommended installation height with an electric or ceramic cooker (Hmin-Hmax) (mm)	600-850
Recommended installation height with a gas cooker (Hmin-Hmax) (mm)	650-850

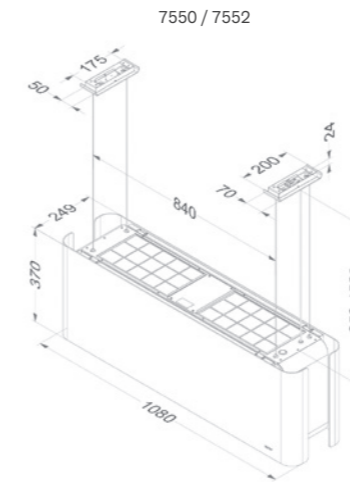
Air quantity and sound level

Type	Maximum free flow rate (m³/h)	Air quantity (m³/h)				Noise level dB(A) sound pressure (re20µPa) / sound power (re 1pW)			
		Setting I	Setting II	Setting III	Setting IV	Setting I	Setting II	Setting III	Setting IV
7550, 7552 Integrated motor	1010	324	432	534	661	41 / 53	47 / 59	52 / 64	57 / 69

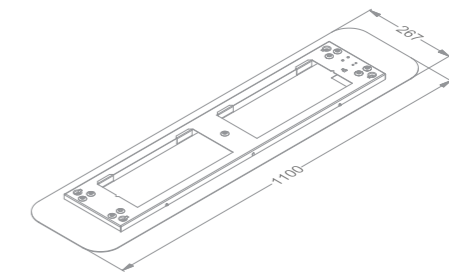
Noise levels measured in accordance with IEC 60704-2-13 standards, flow rates according to IEC 61591.

Technical drawings

Novy Mood



7550 / 7552



7550.500 / 7552.510



Video
Installation video

Accessories

Miscellaneous

	Reference	7550	7552
Grease filter (replacement) (4 pcs to order)	7550.030	•	•
Kit with longer hanging cables (4x3,5 m)	7550.100	•	•
Mounting set Mineral Black	7552.310		•
Ceiling plate white	7550.500	•	
Ceiling plate Mineral Black	7552.510		•
Remote control (white)	840.029	•	•

Recirculation

Monoblock replacement filter (set contains 2 pcs)	7550.400	•	•
---	----------	---	---



Novy Flatline

- Extra slim lines
- Seamless finish
- Subtle looking LED lighting (2,700 K)
- Reversible chimney for recirculation as standard
- Recirculation optional: carbon filter with a life span of up to 900 cooking hours



Distance
Maximum distance between cooker hood and hob.



InTouch
Standard with function for controlling the cooker hood from the hob.



Recirculation
Recirculation is optional.



In option



Width (cm)	Motor	Colour	EEI	Flow power function (m³/h)	Sound level during normal use in dB(A) (re 1 pW)		Ref.
					Minimum	Maximum	
90	Integrated	Stainless steel	A+	707	35	53	7640
	Integrated	Mineral Black	A+	707	35	53	7642
	Not included ⁽¹⁾	Stainless steel		⁽¹⁾	⁽¹⁾	⁽¹⁾	7645
100	Integrated	Stainless steel	A	743	47	57	7650
	Not included ⁽¹⁾	Stainless steel		⁽¹⁾	⁽¹⁾	⁽¹⁾	7655
120	Integrated	Stainless steel	A	744	47	57	7660
	Not included ⁽¹⁾	Stainless steel		⁽¹⁾	⁽¹⁾	⁽¹⁾	7665

Noise levels measured in accordance with IEC 60704-2-13 standards, flow rates according to IEC 61591.

⁽¹⁾ This model should be connected to an internal motor type 245.999, a wall motor type 445.999 or roof motor type 745.999 of 755.999 (see accessories). The air volume/noise level depends on the type of motor and installation.



Technical specifications



Novy Flatline island 90 cm
7640 stainless steel /
7642 Mineral Black (≈RAL 9005)

Novy Flatline island 90 cm
7645 stainless steel
motor not included

Novy Flatline island 100 cm
7650 stainless steel

Novy Flatline island 100 cm
7655 stainless steel
motor not included

Novy Flatline island 120 cm
7660 stainless steel

Novy Flatline island 120 cm
7665 stainless steel
motor not included

Functions		
Controls	Buttons	Buttons
Number of speed settings	3 + power function	3 + power function
Power setting with automatic downshift (min.)	6	6
With noise reduction	•	•
Recirculation	Optional (monoblock)	
InTouch function for hobs	•	•
Auto-Stop, automatic switch-off after 3 hours	•	•
Run-on timer (min.)	10	10
Cleaning indicator for grease filter	•	•
Replacement indicator for recirculation filter	•	

Lighting		
Type of lighting (number/W)	LED (4×2)	LED (4×2)
Dimmable Lighting	•	•
Lighting colour (K)	2,700	2,700

Technical characteristics		
Colour	7640 stainless steel 7642 Mineral Black (≈RAL 9005)	stainless steel
Integrated motor	•	
Motor not included (suitable for wall motor, flat roof motor outside)		•
Weight cooker hood / motor casing (kg)	36	33 + motor
Mains voltage (V) / Electrical connection value (W)	230 / 118	230 / 13 + motor

Dimensions (mm)		
Dimensions (B×D)	900×600	900×600
Height of the cooker hood (Hmin–Hmax) (mm)	563–730	563–730
Height of the cooker hood with recirculation (Hmin–Hmax) (mm)	679–860	
Maximum height with chimney extension Optional A/B	1040 / 1350	1040 / 1350
Maximum height with chimney extension for recirculation Optional A/B	1170 / 1480	
Exhaust opening diameter (mm)	150	150
Exhaust position	Top	Top
Recommended installation height with an induction cooker (Hmin–Hmax) (mm)	650–850	650–850
Recommended installation height with an electric or ceramic cooker (Hmin–Hmax) (mm)	600–850	600–850
Recommended installation height with a gas cooker (Hmin–Hmax) (mm)	650–850	650–850

Buttons	Buttons	Buttons	Buttons
3 + power function	3 + power function	3 + power function	3 + power function
6	6	6	6
•	•	•	•
Optional (monoblock)		Optional (monoblock)	
•	•	•	•
•	•	•	•
10	10	10	10
•	•	•	•
•		•	

LED (4×2)	LED (4×2)	LED (4×2)	LED (4×2)
•	•	•	•
2,700	2,700	2,700	2,700

stainless steel	stainless steel	stainless steel	stainless steel
•		•	
	•		•
38	35 + motor	42	39 + motor
230 / 308	230 / 13 + motor	230 / 300	230 / 13 + motor

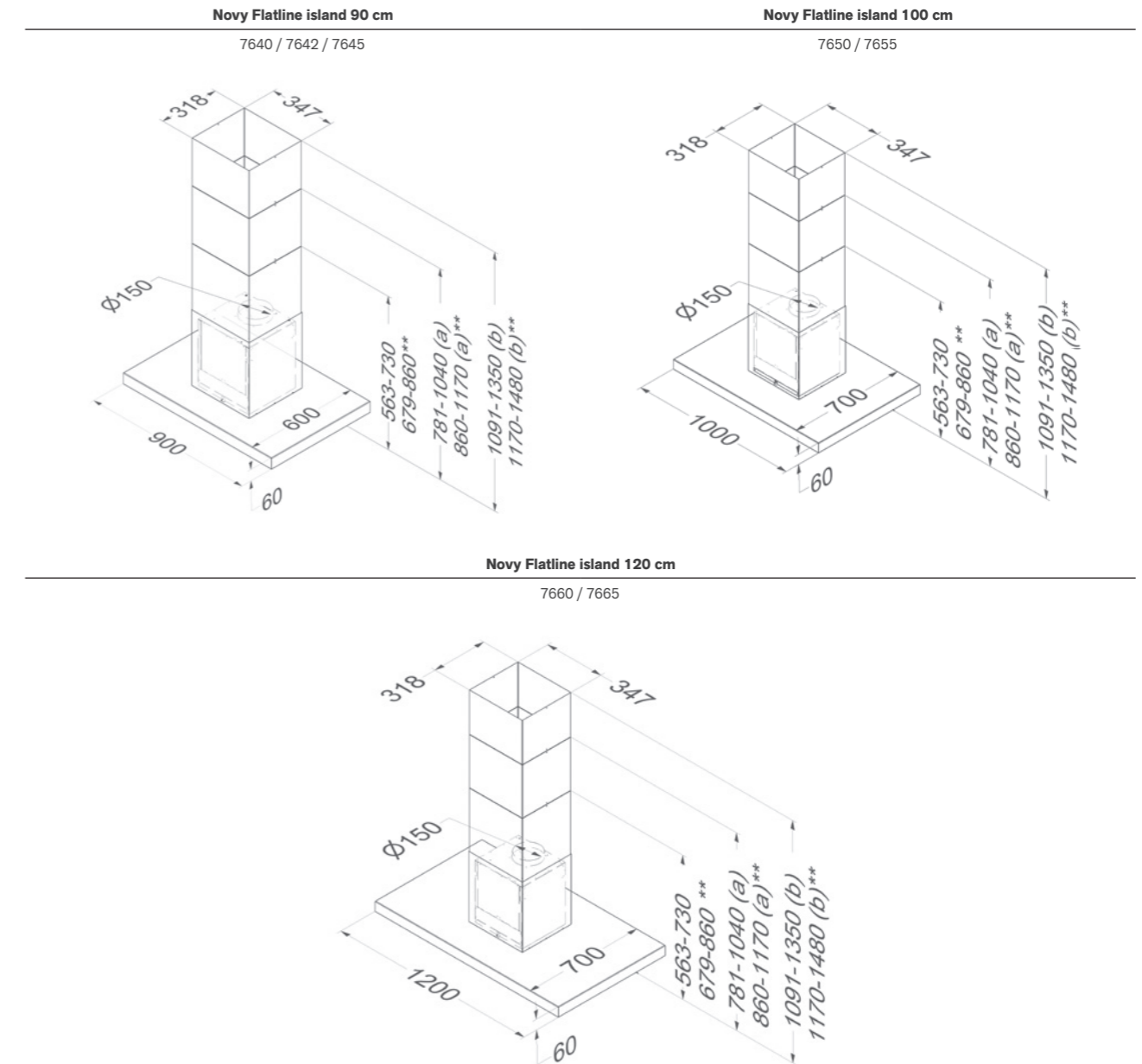
1000×700	1000×700	1200×700	1200×700
563–730	563–730	563–730	563–730
679–860		679–860	
1040 / 1350	1040 / 1350	1040 / 1350	1040 / 1350
1170 / 1480		1170 / 1480	
150	150	150	150
Top	Top	Top	Top
650–850	650–850	650–850	650–850
600–850	600–850	600–850	600–850
650–850	650–850	650–850	650–850

Air quantity and sound level

Type	Maximum free flow rate (m³/h)	Air quantity (m³/h) / pressure (Pa)				Noise level dB(A) sound pressure (re20µPa) / sound power (re 1pW)				
		Setting I	Setting II	Setting III	Power setting	Setting I	Setting II	Setting III	Power setting	
7640, 7642	Integrated	815	277 / 66	467 / 237	620 / 382	707 / 382	24 / 35	34 / 46	41 / 53	44 / 56
7645	Not included ⁽¹⁾		(1)	(1)	(1)	(1)	(1)	(1)	(1)	(1)
7650	Integrated	1000	216 / 314	296 / 472	451 / 531	743 / 555	32 / 47	35 / 50	41 / 57	50 / 64
7655	Not included ⁽¹⁾		(1)	(1)	(1)	(1)	(1)	(1)	(1)	(1)
7660	Integrated	1000	219 / 324	302 / 470	459 / 496	744 / 511	32 / 47	36 / 51	41 / 57	51 / 65
7665	Not included ⁽¹⁾		(1)	(1)	(1)	(1)	(1)	(1)	(1)	(1)

Noise levels measured in accordance with IEC 60704-2-13 standards, flow rates according to IEC 61591.

Technical drawings



(a) With chimney extension - (b) With chimney extension (higher) - **With recirculation



⁽¹⁾ This model should be connected to an internal motor type 245.999, a wall motor type 445.999 or roof motor type 745.999 of 755.999 (see accessories). The air volume/noise level depends on the type of motor and installation.

Accessories

	Reference	7640	7642	7645	7650	7655	7660	7665
Motor at a distance								
Remote motor for inside	245.999			•	•	•	•	•
Wall motor, minimum 5 m between cooker hood and motor	445.999			•	•	•	•	•
Roof motor 48.8 cm height	745.999			•	•	•	•	•
Roof motor with noise reduction 78.4 cm height	755.999			•	•	•	•	•
Miscellaneous								
Chimney extension stainless steel option A	7640.120	•		•	•	•	•	•
Chimney extension stainless steel option B	7640.130	•		•	•	•	•	•
Chimney extension Mineral Black option A	7642.120		•					
Chimney extension Mineral Black option B	7642.130		•					
Grease filter (replacement)	7530.020	•	•	•	•	•	•	•
Kit with LED lighting (4,000 K)	906.307	•	•	•	•	•	•	•
Remote control (white)	840.029	•	•	•	•	•	•	•
Remote control (black)	840.049	•	•	•	•	•	•	•
Extension cable for remote motors (5 m)	7000.092			•		•		•
Kit connection with external cover and/or lighting	990.030	•	•	•	•	•	•	•

Accessories

	Reference	7640	7642	7645	7650	7655	7660	7665
Recirculation								
Recirculation kit	7640.400	•	•		•		•	
Monoblock replacement filter	7600.060	•	•		•		•	



Cooker hood accessories

Recirculation	p. 222
Motors	p. 226
Maintenance	p. 228
Installation accessories	p. 230

Accessories can be found per product on the relevant product page.

Recirculation

By opting for recirculation you no longer need to vent warm air to the outside, which saves you energy. In addition, a cooker hood with recirculation offers more freedom with regard to its position in comparison to a cooker hood with an exhaust to the outside. This technology is based on an upgraded monoblock carbon filter that provides an extraordinary level of cooking odour absorption.

Installation methods

Novy built-in box with monoblock filter for ceiling units, downdrafts and canopy

The Novy built-in box with monoblock filter must be built into an existing structure, cabinet or plinth, and is connected to the cooker hood. The odours of the extracted cooking vapours are filtered out by the monoblock filter in the box. It also reduces the noise more. The air is then returned to the kitchen through the exhaust grill of the box. This excellent efficiency is due to the elegant design of the box, in which small hexagonal holes ensure a greater air flow. Visually, the smooth surface results in a subtle integration into the plinth.

Novy offers a wide range of accessories that make it possible to adapt a cooker hood to your specific situation. In this way it will be a great pleasure to use your cooker hood.



Basic kits to integrate in ceiling units and canopies

For ceiling units and canopies a kit can be ordered when opting for recirculation. The basic kit consists of a monoblock filter. This is placed directly behind the grease filter. For the Novy Fusion Pro, Fusion, Telescopic and Telescopic Essence a tailored design exhaust grill for upper cabinets (906.450) is available to optimise the return of filtered air into the kitchen. Minimum space required between the upper cabinet and the ceiling: 20 cm. For ceiling units and other canopies a exhaust grill to return the filtered air into the kitchen must be provided by you.

Basic kits for wall and island cooker hoods

For wall and island cooker hoods you must order a basic kit when opting for recirculation. This basic kit with monoblock filter is integrated in the chimney of the cooker hood. It also reduces the noise more. The air is then returned to the kitchen through the outlets in the cooker hood chimney.

Cooker hoods with recirculation as standard

Some cooker hoods are equipped with recirculation and a monoblock filter as standard.

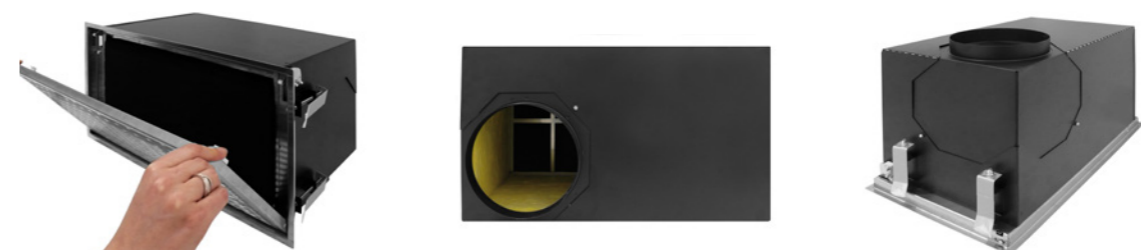
Replaceable carbon filter cartridges

Novy Salsa and Essence cooker hoods use replaceable carbon filter cartridges. In due course the cartridges must be replaced. The kit consists of a cartridge filled with active carbon granules. The exhaust grill must be provided by the customer in the canopy, decorative chimney or cabinet (except in the case of Salsa).

Maintenance

Replacement monoblock filter or active carbon filter cassettes

After 3 to 5 years (depending the models and on the intensity of cooking) the monoblock filter needs to be replaced. All cooker hoods have a cleaning indicator which, in the case of a monoblock filter, lights up after 900 hours of cooking (depending on the models). In the case of cooker hoods with active carbon filter cartridges, the indicator lights up after 120 hours and the cassette must be replaced.



Recirculationboxes

Technical specifications



841.400 white
842.400 Mineral Black
843.400 grey



7931.400 white
7932.400 Mineral Black
7933.400 grey



7921.400 white
7922.400 Mineral Black
7923.400 grey



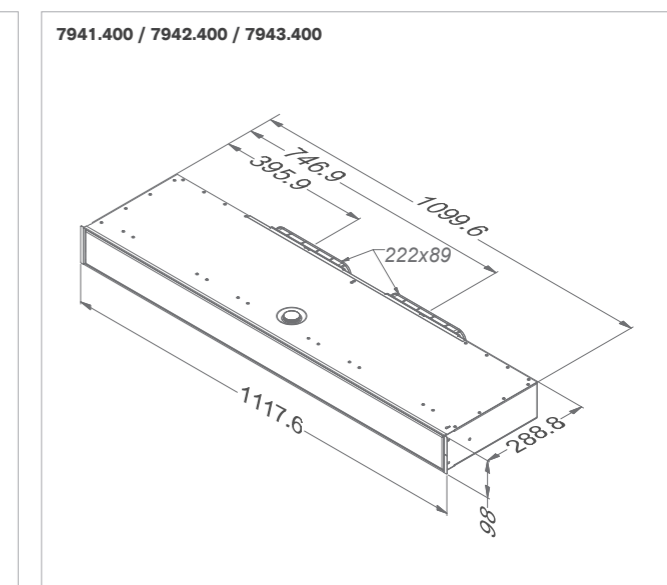
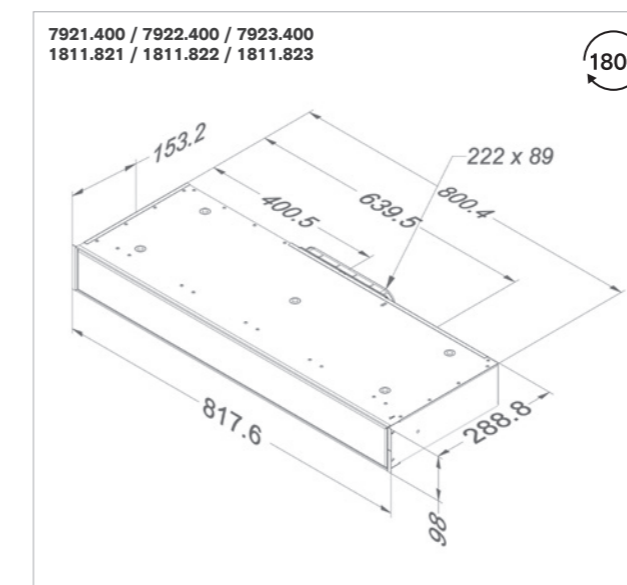
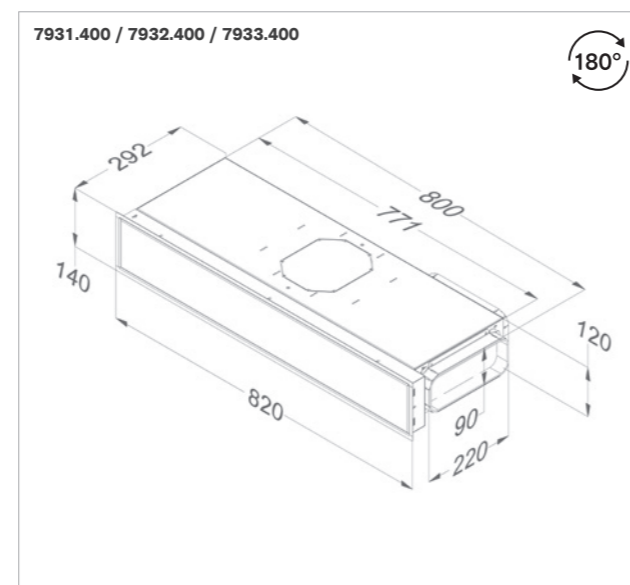
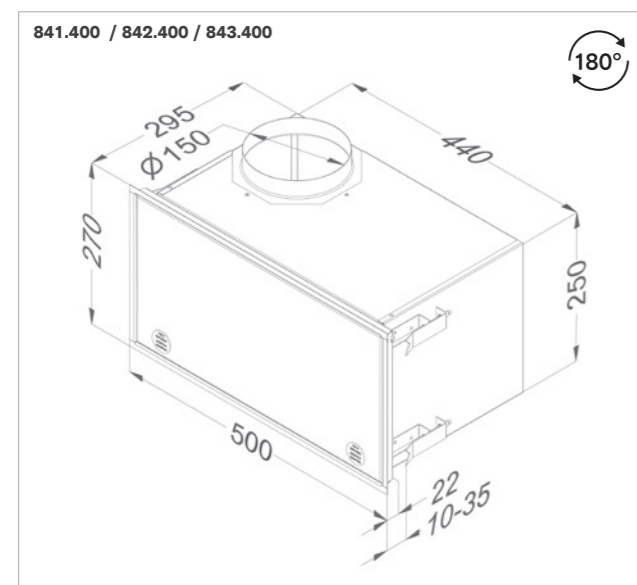
1811.821 white
1811.822 Mineral Black
1811.823 grey



7941.400 white
7942.400 Mineral Black
7943.400 grey

Technical characteristics		
Combine with	Ceiling units and canopy	Ceiling units and canopy
To be mounted in	Wall / ceiling / cabinet	Wall / ceiling / cabinet
Type	Recirculationbox	Recirculationbox
Grid colour	841.400 white (≈RAL 9003) 842.400 Mineral Black (≈RAL 9005) 843.400 grey (≈RAL 7030)	7931.400 white (≈RAL 9003) 7932.400 Mineral Black (≈RAL 9005) 7933.400 grey (≈RAL 7030)
Including monoblock filter(s)	•	•
Number of monoblock filters	1	2
Accessories included		
Dimensions (mm)		
Dimensions (W×D×H) (mm)	500 × 295 × 270	820 × 292 × 140
Opening (W×H) (mm)	487 × 255	805 × 123
Maximum plinth height		
Dimensions inlet (mm)	Ø150	89 × 222 / Ø150
Position inlet	Rear corner / top corner / side corner Recirculationbox 180° rotatable	Rear corner / side (89 × 222) / top (Ø150) Recirculationbox 180° rotatable
Accessories		
Monoblock replacement filter for recirculationbox	830.055	7900.055 (2 pcs to order)

Downdraft	Downdraft	Downdraft (Novy Panorama 120)
Plinth	Plinth	Plinth
Recirculationbox	Recirculation kit + accessories	Recirculationbox
7921.400 white (≈RAL 9003) 7922.400 Mineral Black (≈RAL 9005) 7923.400 grey (≈RAL 7030)	1811.821 white (≈RAL 9003) 1811.822 Mineral Black (≈RAL 9005) 1811.823 grey (≈RAL 7030)	7941.400 white (≈RAL 9003) 7942.400 Mineral Black (≈RAL 9005) 7943.400 grey (≈RAL 7030)
•	•	•
2	2	3
1x 906.401 Flat duct 1000 mm 2x 906.402 Connector 1x 906.404 Vertical bend 90° with air deflectors		
818 × 289 × 98	818 × 289 × 98	1118 × 289 × 98
805 × 100	805 × 100	1105 × 100
100	100	100
89 × 222	89 × 222	89 × 222 (2×)
Rear centre / rear corner / side Recirculationbox 180° rotatable	Rear centre / rear corner / side Recirculationbox 180° rotatable	Behind (2×)
7910.055 (2 pcs to order)	7910.055 (2 pcs to order)	98.001 (set)



Motors

Remote motors

For models without an integrated motor, you have the option of a remote motor. The choice is between installation indoors and various motors for outside installation. This enables you to install a cooker hood in a suspended ceiling with limited height and create absolute silence in the kitchen. When installing a remote motor the sound level depends on the type of motor and installation. If the Novy cooker hood is installed without a Novy motor (or the motor without a Novy cooker hood) the warranty becomes void.

The cooker hood contains as standard a connection cable of approx. 4 m (depending on the model). A 5 m extension cable is optionally available if the distance between the cooker hood and the motor is greater.

Kit to install remote motors inside

For the models Novy Pureline Pro, Pureline and Mini Pureline the motor can be easily installed remotely inside with an additional installation kit.

This installation kit contains a 5 m connecting cable as standard.

An optional 5 m extension cable is available if the distance between the cooker hood and the motor is greater.

Technical specifications

Functions

Controls
Number of speed settings
With noise reduction (integrated)
With insulated flat roof uprising
With insulated flat roof uprising and silencer
With automatic return cover
With silencer, connecting piece, wall conduct and aluminium tape
With insulated switch
Minimum/ maximum operating temperature (°C)

Material

Material flat roof motor : aluminium (ALMG3)
Material flat roof motor : aluminium (ALMG3)
Material non-return valve : galvanised

Technical characteristics

Weight cooker hood / motor casing (kg)
Mains voltage (V) / Electrical connection value (W)

Dimensions

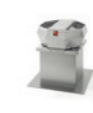
Dimensions motorunit (BxDxH) (mm)
Exhaust opening diameter (mm)
Exhaust position
Diameter inlet (tube) (mm)
Diameter inlet (opening roof) (mm)



Remote motor for installation inside
245.999 Black



Wall motor
445.999 Stainless steel

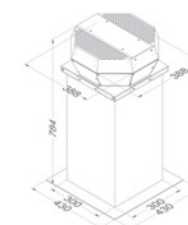
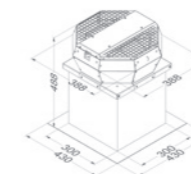
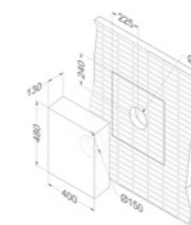
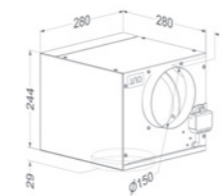


Flat roof motor 48,8 cm
745.999



Flat roof motor 78,4 cm
755.999
With noise reduction

In combination with the cooker hood	In combination with the cooker hood	In combination with the cooker hood	In combination with the cooker hood
3 + power function	3 + power function	3 + power function	3 + power function
.	.	.	.
.	.	.	.
.	.	.	.
.	.	.	.
.	.	.	.
.	.	.	.
6	11	10,7	13,9
230 / 250	230 / 184	230 / 191	230 / 191
309x280x244	400x130x500	388x388x488	388x388x784
150	150		
Top / right / left / front / rear	Below	Vertical	Vertical
150	180	150	150
	180	180	180



Air quantity and sound level

Type	Maximum free flow rate (m³/h)	Air quantity (m³/h) / pressure (Pa)				Noise level dB(A) sound pressure (re20µPa) / sound power (re 1pW)			
		Setting I	Setting II	Setting III	Power setting	Setting I	Setting II	Setting III	Power setting
245.999	1000	401 / 350	503 / 410	634 / 370	760 / 450	30 / 42	35 / 47	40 / 53	43 / 57
445.999	1400	330 / 380	520 / 450	660 / 520	940 / 660	31 / 43	37 / 49	40 / 52	43 / 56
745.999	1180	855 / 590	975 / 625	1080 / 650	1150 / 670	61	62	63	64
755.999	1180	850 / 590	970 / 625	1075 / 650	1145 / 670	55	56	57	58

Sound level of roof motors measured on the suction side Lwa5 (dB(A)) (DIN 45635-2).

Maintenance

Grease filters

To ensure optimum filtering of grease it is necessary to regularly (1 x per month) clean the grease filter. The integrated cleaning indicator in almost all cooker hoods is a reminder and illuminates after 20 cooking hours. The grease filter can be cleaned in the dishwasher. However, we recommend replacing the filter after 5 years. To find the correct grease filter for your cooker hood please consult the technical table at the end.

Stainless steel cleaner

For optimum cleaning of your stainless steel cooker hood we recommend you use Novy stainless steel cleaner. This is a soft nourishing mousse that leaves no traces leaving a clean surface.

906.060 Stainless steel cleaner

Installation accessories

InTouch

InTouch offers the possibility to operate the Novy cooker hood from the Novy InTouch induction hob.

Practically all cooker hoods with electronic control can be operated as standard or with an optional InTouch kit to be combined with Novy InTouch induction hobs.

Novy Cloud, Pureline (Pro) (Compact), Maxi Pureline, Mini Pureline, Crystal, Fusion Pro, Fusion, Flatline, Phantom, Pureline Frame and Mood are standard equipped with the InTouch function.

For the Novy telescopic cooker hood (663/693) and Vision an optional InTouch kit (incl. remote control) is available.

990.021 Kit for InTouch (incl. remote control)

Remote control

Novy Cloud, Pureline (Pro) (Compact), Maxi Pureline, Mini Pureline, Phantom, Pureline Frame and Mood are equipped with a remote control as standard.

The Novy Cloud, Pureline Pro (Compact) and Mood can also be controlled via the Novy Connect application.

Optionally, the Novy Crystal, Fusion Pro, Fusion, Flatline can be equipped with a remote control.

840.029 Remote control (white)
840.049 Remote control (black)

LED lighting kit

For a number of models you can replace the existing LED lighting of 2,700 K (warm white) by LED lighting of 4,000 K (neutral white).

Novy Pureline (Compact) and Mini Pureline are equipped with dual LED lighting for which the colour temperature can be changed manually, before installation, from 2,700 K (warm white) to 4,000 K (neutral white).

Control kit for external lighting or remote covers

Would you like to connect additional ambient lighting to your cooker hood? Or do you need to control a remote cover the moment the cooker hood is switched on? With the kit 990.030 you can control both. The kit can be used on Novy Pureline (Compact), Mini Pureline, Crystal, telescopic (663/693) and Flatline.

Novy Maxi Pureline, Pureline: 6833, 6834, 6838, 6839, 6843, 6844, 6848, 6849 are equipped as standard with a connector which makes it possible to switch on external lighting (max. 300 W).

Extension chimneys for wall and island hoods

If the standard lower chimney is too short, you can always opt for an extension chimney. When ordering an extension the lower chimney is included to avoid colour differences.

Input / output module

The potential-free input relay can be used to connect, for example, a window switch. This ensures that the extractor hood only switches on when a window or additional supply air valve is activated.

The output is a potential-free relay and therefore does not provide a direct output power. It is therefore possible to use it to control an external ambient lighting (not possible for the Novy Pureline Pro or Pureline Pro Compact) or electric valve with external power supply from the moment the extractor hood is activated.

Module 990.036 is suitable for Novy Panorama 90, Panorama 120, Pureline Pro and Pureline Pro Compact.

Adapter for limited installation height in ceiling, canopy, decorative chimney or cabinet

If the installation depth is limited, it is possible to dismount the Cubic motor from the Novy Pureline, Pureline Pro, Maxi Pureline and Mini Pureline. In this situation, an optional adapter can be ordered. The adapter is placed directly on the ceiling unit or recessed unit and connected to a flat rectangular duct. The motor is then mounted at a different location indoors. Please note that the input of the motor has a round connection. Always mount the adapter in combination with the remote motor kit.

To simplify the installation, it is recommended to use the flexible flat exhaust duct (906.408) for the last part between flat duct and extractor.

Novy Sense Sensor: Automatic speed regulation

The Novy Sense sensor offers both manual and automatic speed regulation for the Novy Pureline Pro and Pureline Pro Compact. In automatic mode, the sensor detects the intensity of cooking vapors (based on moisture and pollution) and odors and adjusts the motor speed to the optimal level. The air quality in the kitchen can be checked at any time via the Novy Connect app.

This sensor is optional and must be installed before the appliance is mounted to ensure optimal performance and convenience.

Installation accessories

The proper functioning of a cooker hood is partly determined by the correct installation of the device and it is important that you take this into consideration at an early stage of the construction process. Novy offers a wide range of installation accessories for your specific situation.

Flat exhaust ducts

These ducts are very suitable for ceilings with a small overall height.

906.401
Flat duct 1000 mm
89×222×1000 mm
(male)



906.402
Connector
94×227×80 mm
(female)



906.403
Horizontal bend 90°
with air deflectors
94×227×290 mm
(female)



906.408
Flat flexible tube
89×222×750 mm
(male)



906.404
Vertical bend 90° with
air deflectors
94×175×227 mm
(female)



906.405
Angle adaptor
Ø 150 mm with
air deflectors (male)
94×227×205 mm
(female)
Height 140 mm



906.406
Transfer
Ø 150 mm
94×227×150 mm
(female)



906.407
Wall duct stainless steel
with non-return valve
222×89 mm
depth connector
120 mm



906.418
Bend 15° for flat duct
94×227×138 mm
(male/female)



Non-return valves

The use of a non-return valve is advised to prevent cold air flows coming in from outside.

Non-return valve
906.431
mechanical non-return valve,
Ø 125 mm (male)
906.432
mechanical non-return valve,
Ø 150 mm (male)



Electric valve
906.270
electric valve Ø125 mm, 230 V (male)
N/C with spring return, to combine
with kit 990.030
906.271
electric valve Ø150 mm, 230 V (male)
N/C with spring return, to combine
with kit 990.030



Round ducting & accessories

Round tube 1 m (male)
906.410
Ø 125 mm
906.415
Ø 150 mm



Connector (female)
906.412
Ø 125 mm
906.417
Ø 150 mm



Bend 90° (with air deflectors
for a better result) (female)
906.411
Height 187 mm - Ø 125 mm
906.416
Height 212 mm - Ø 150 mm



Aluminium tube
906.216
Ø 127 mm, length 10 m
906.218
Ø 152 mm, length 10 m



Aluminium tube
906.219
Ø 127 mm, length 3 m
906.217
Ø 152 mm, length 3 m
906.430
Ø 202 mm, length 3 m



Flexible silencer, length 1 m
906.288
Ø 127 mm - outer Ø 180 mm
906.287
Ø 152 mm - outer Ø 210 mm



Y-piece (male)
906.299
2×Ø 125 mm - Ø 150 mm
906.298
2×Ø 150 mm - Ø 200 mm
906.297
elbow 45° Ø 125 mm / stuk



Clamp
906.290
range Ø 60 - 135 mm
906.291
range Ø 60 - 215 mm
906.292
aluminium tape width 50 mm
(per 50 m)



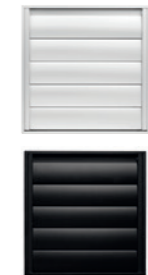
Installation kit (non-return valve,
3 m aluminium tape, 3 m aluminium
tube 906.217 or 906.219)
906.300
Ø 125 mm
906.301
Ø 150 mm



Wall exhaust valve

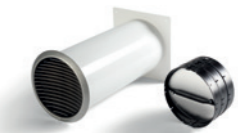
This valve covers the exhaust duct. It keeps cold air out, but also other weather and natural influences, so that the exhaust does not get blocked.

Wall exhaust valve
906.078
173×173 mm, aluminium
for exhaust Ø 125 mm
906.178
210×210 mm, aluminium
for exhaust Ø 150 mm
906.400
210×210 mm, black (RAL9005)
for exhaust Ø 150 mm
906.079
246×246 mm, aluminium
for exhaust Ø 200 mm

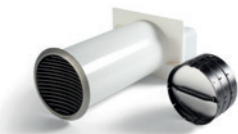


Wall conduct kit for

Wall conduct kit with telescopic
pipe including built-in heat retention
non-return valve and stainless
steel grill for ground-level and
conventional installation at ceiling
height.



Wall conduct kit for ducting
906.420
Ø 150 mm



Wall conduct kit for flat exhaust duct
906.425
89×222 mm

Exhaust grill for upper cabinet

Tailored design exhaust grill for
upper cabinets to optimise the
return of filtered air into the kitchen.



906.450
Connection diameter Ø 150 mm,
Cut-out in housing Ø 170 mm



Hobs

Induction Pro

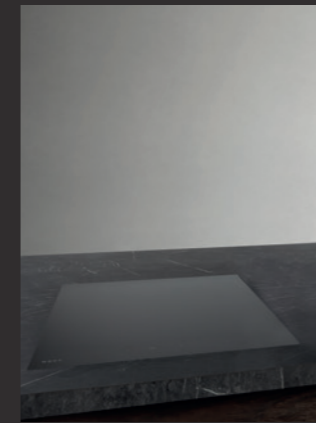
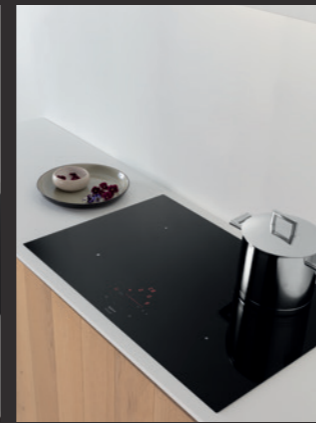
Induction Power

Induction Comfort

Induction Domino's

Induction Multizone

Gas Pro



Cooking profile

Intensity	☹☹☹	☹☹	☹	☹ / ☹☹	☹	☹ / ☹☹
-----------	-----	----	---	--------	---	--------

Number of cooking zones

1				■		■
2				■		■
3			■		■	■
4	■	■	■		■	■
5	■	■	■			■

Flexzone / Expandable zone

1		■		■		
2	■					

Dimensions cooking zones (mm)

Dimensions	200×240 / Ø280	200×240 / Ø230 / Ø280	Ø175 / Ø210 / Ø260	200×240 / Ø175 / Ø210	Ø175 / Ø210	Ø230 / Ø270
------------	----------------	-----------------------	--------------------	-----------------------	-------------	-------------

p. 236

p. 240

p. 244

p. 248

p. 252

p. 256

☹ Normal use, basic cooking function, different zones with different power

☹☹ Normal use, extensive cooking functions, different zones with high power

☹☹☹ Intensive use, extensive cooking function, equal zones with high power

NOVY HOBS

Control at your fingertips

You can cook intuitively. The cooker hood can also be controlled from the hob. InTouch technology combines cooker hood and induction hob into one, without the need for remote control. Wireless, and seamless.

- InTouch connection with cooker hood
- Flexible cooking zones
- Automatic pot detection



Installation method

Have your induction hob placed on top of the worktop (surface-mounted) or opt for recessed integration (flush-mounted) and go completely seamless.

Intuitive operation

All our hobs can be operated intuitively. Thanks to the slider and touch control function, every temperature change is at your fingertips.

Minimalist design

A sleek design stripped of all frills - you'll recognise this in every Novy hob. Even the controls remain in the background and only light up when you start cooking.



Convenient flex zones

Connect two cooking zones into one large cooking zone. Convenient if you have large pots and pans on the hob, or if you want to grill like on the barbecue.



Pot move function

Move your pot or pan to a new zone without losing the programming of the current zone.



Pro with the Chef

The Chef function automatically pairs the flex zones into 2 or 3 cooking zones (depending on the hob type) and divides them into different programmes. Choose between quick power cooking, simmering or keep warm.



InTouch technology

Operate your cooker hood from your hob with wireless RF communication.



Induction Pro

- Even more flexibility and cooking surface through the use of octagonal zones
- Professional cooking programs, such as Pot Move and Grill function for even more functionality
- White slider touch control operation
- Maximum power of 3,700 W for the octagonal zones and 5,000 W for the round zone
- Surface and flush installation possible



InTouch
Function for controlling the cooker hood from the hob.



Flexzone
Automatic or manual bridge function of 2 cooking zones.





Keep-warm function
Keep-warm function to keep food at a constant temperature.



Chef function
Chef function for activation of programmed zones.



Outside dimensions (WxD) (cm)	Opening (WxD) (cm)	Number of zones	Cooking zones (mm)	InTouch	Max. output (W)	Ref.
65x52	56x49	4 	4 x 240x200	•	7400	1773
80x52	75x49	4 	4 x 240x200	•	7400	 1775
80x52	75x49	5 	4 x 240x200, 200x300	•	11100	1776
91x41	89x39	4 	4 x 200x240	•	7400	1777
90x52	85x49	5 	4 x 240x200, Ø280	•	11100	1778

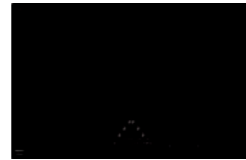
Video
Five reasons for choosing a Novy induction hob



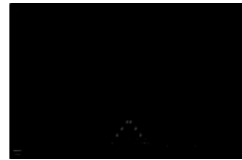
Technical specifications



Induction Pro 1773



Induction Pro 1775



Induction Pro 1776



Induction Pro 1777



Induction Pro 1778

Controls			
Type of controls	Slider touch control	Slider touch control	Slider touch control
Colour or controls	White	White	White

Glass built-in / Finish			
Finish	Round border	Round border	Round border
Surface / Flush	• / •	• / •	• / •
Black opaque glass	•	•	•

Functions cooker hood			
InTouch function	•	•	•
Number of power levels	9+Power + SuperPower	9+Power + SuperPower	9+Power + SuperPower
Pot move function	•	•	•
Count-up timer	•	•	•
Cooking presets	•	•	•
Wipe guard	•	•	•
Automatic pot detection	•	•	•
Flex zones	• (x2)	• (x2)	• (x2)
Automatic bridge function Flexzone	•	•	•
Residual heat indication	•	•	•
Timer on each zone	•	•	•
Independent cooking timer	•	•	•
Keep-warm function (°C)	42°, 70° and 94°	42°, 70° and 94°	42°, 70° and 94°
Grill function	• (x2)	• (x2)	• (x2)
Safety lock hob	•	•	•
Stop & Go	•	•	•
Automatic cooking	•	•	•

Cooking zones			
Number of cooking zones	4	4	5
Cooking zone 1	Front left	Front left	Front left
Dimensions (mm) / Power (Boost) (W)	240×200 / 2100 (3700)	240×200 / 2100 (3700)	240×200 / 2100 (3700)
Cooking zone 2	Rear left	Rear left	Rear left
Dimensions (mm) / Power (Boost) (W)	240×200 / 2100 (3700)	240×200 / 2100 (3700)	240×200 / 2100 (3700)
Cooking zone 3	Right front	Right front	Central
Dimensions (mm) / Power (Boost) (W)	240×200 / 2100 (3700)	240×200 / 2100 (3700)	200×300 / 2100 (3700)
Cooking zone 4	Back right	Back right	Right front
Dimensions (mm) / Power (Boost) (W)	240×200 / 2100 (3700)	240×200 / 2100 (3700)	240×200 / 2100 (3700)
Cooking zone 5			Back right
Dimensions (mm) / Power (Boost) (W)			240×200 / 2100 (3700)



Dimensions (Installation details see p. 260-261)			
Dimensions (W×D×H) (mm)	650×520×47	800×520×47	800×520×47
Opening (B×D) (mm)	560×490	750×490	750×490
Weight (kg)	11.5	13.5	14.2

Technical details			
Total connected load (W)	7400	7400	11100
Multiphase supply voltage	230 V / 400 V - 2N	230 V / 400 V - 2N	230 V / 400 V - 2N / 3N
Single-phase supply voltage	230 V	230 V	230 V
Frequency (Hz)	50 – 60	50 – 60	50 – 60

Accessories			
Side profiles 1700.092	•	•	•
Grill plate (240×415 mm) 1700.093	•	•	•
Teppanyaki plate (240×415 mm) 1700.095	•	•	•
Roaster (260×410×80 mm - 6,5L) 1700.099	•	•	•

Slider touch control	Slider touch control
White	White

Round border	Round border
• / •	• / •
•	•

•	•
9+Power + SuperPower	9+Power + SuperPower
•	•
•	•
•	•
•	•
• (x2)	• (x2)
•	•
•	•
•	•
•	•
42°, 70° and 94°	42°, 70° and 94°
• (x2)	• (x2)
•	•
•	•
•	•

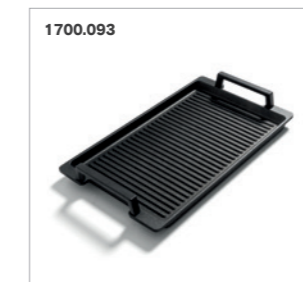
4	5
Left	Front left
200×240 / 2100 (3700)	240×200 / 2100 (3700)
Left central	Rear left
200×240 / 2100 (3700)	240×200 / 2100 (3700)
Right central	Central
200×240 / 2100 (3700)	280 / 2600 (5500)
Right	Right front
200×240 / 2100 (3700)	240×200 / 2100 (3700)
	Back right
	240×200 / 2100 (3700)



910×410×47	900×520×47
890×390	850×490
14.8	16.7

7400	11100
230 V / 400 V - 2N	230 V / 400 V - 2N / 3N
230 V	230 V
50 – 60	50 – 60

•	•
•	•
•	•



Induction Power

- Great flexibility due to the combination of octagonal and round zones
- Extensive cooking programs for refined cooking
- Red slider touch control operation
- Maximum power of 3,000 W per zone
- Surface and flush installation possible



InTouch
Function for controlling the cooker hood from the hob.









Flexzone
Automatic or manual bridge function of 2 cooking zones.



Keep-warm function
Keep-warm function to keep food at a constant temperature.



Outside dimensions (WxD) (cm)	Opening (WxD) (cm)	Number of zones	Cooking zones (mm)	InTouch	Max. output (W)	Ref.
65x52	56x49	4 	2x 240x200, 2x Ø210	•	7400	1763
80x52	75x49	4 	2x 240x200, Ø230, Ø280		7400	1724
80x52	75x49	4 	2x 240x200, Ø230, Ø280	•	7400	1726
90x52	85x49	5 	2x 240x200, Ø280, 2x Ø200	•	11100	 1768
100x40	98x38	4 	2x 200x240, 2x Ø230	•	7400	1767



Technical specifications



Induction Power 1724



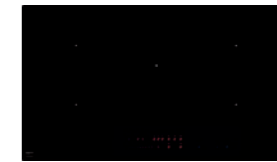
Induction Power 1726



Induction Power 1763



Induction Power 1767



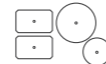
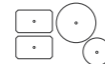
Induction Power 1768

Controls		
Type of controls	Slider touch control	Slider touch control
Colour of controls	Red	Red

Glass built-in / Finish		
Finish	Round border	Round border
Surface / Flush	• / •	• / •
Black opaque glass	•	•

Functions		
InTouch function		•
Number of power levels	9 + Power + SuperPower	9 + Power + SuperPower
Count-up timer	•	•
Automatic pot detection	•	•
Flex zones	• (x1)	• (x1)
Automatic bridge function Flexzone	•	•
Residual heat indication	•	•
Timer on each zone	•	•
Independent cooking timer	•	•
Keep-warm function (°C)	70°	70°
Safety lock hob	•	•
Stop & Go	•	•
Automatic cooking	•	•

Cooking zones		
Number of cooking zones	4	4
Cooking zone 1	Front left	Front left
Dimensions (mm) / Power (Boost) (W)	240×200 / 2100 (3000)	240×200 / 2100 (3000)
Cooking zone 2	Rear left	Rear left
Dimensions (mm) / Power (Boost) (W)	240×200 / 2100 (3000)	240×200 / 2100 (3000)
Cooking zone 3	Right front	Right front
Dimensions (mm) / Power (Boost) (W)	230 / 2300 (3000)	230 / 2300 (3000)
Cooking zone 4	Back right	Back right
Dimensions (mm) / Power (Boost) (W)	280 / 2300 (3000)	280 / 2300 (3000)
Cooking zone 5		
Dimensions (mm) / Power (Boost) (W)		



Dimensions (Installation details see p. 260-261)		
Dimensions (W×D×H) (mm)	800×520×47	800×520×47
Opening (B×D) (mm)	750×490	750×490
Weight (kg)	13.4	13.4

Technical details		
Total connected load (W)	7400	7400
Multiphase supply voltage	230 V / 400 V – 2N	230 V / 400 V – 2N
Single-phase supply voltage	230 V	230 V
Frequency (Hz)	50 – 60	50 – 60

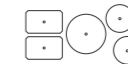
Accessories		
Side profiles 1700.092	•	•

Slider touch control	Slider touch control	Slider touch control
Red	Red	Red

Round border	Round border	Round border
• / •	• / •	• / •
•	•	•

•	•	•
9 + Power + SuperPower	9 + Power + SuperPower	9 + Power + SuperPower
•	•	•
•	•	•
• (x1)	• (x1)	• (x1)
•	•	•
•	•	•
•	•	•
•	•	•
70°	70°	70°
•	•	•
•	•	•
•	•	•

4	4	5
Front left	Front left	Front left
240×200 / 2100 (3000)	200×240 / 2100 (3000)	240×200 / 2100 (3000)
Rear left	Left central	Rear left
240×200 / 2100 (3000)	200×240 / 2100 (3000)	240×200 / 2100 (3000)
Right front	Right central	Central
210 / 1400 (2100)	230 / 2300 (3000)	280 / 2300 (3000)
Back right	Back right	Right front
210 / 1400 (2100)	230 / 2300 (3000)	200/ 1400 (2100)
		Back right
		200/ 1400 (2100)



650×520×47	1000×400×47	900×520×47
560×490	980×380	850×490
11.1	14.8	15.7

7400	7400	11100
230 V / 400 V – 2N	230 V / 400 V – 2N	230 V / 400 V – 2N / 3N
230 V	230 V	230 V
50 – 60	50 – 60	50 – 60

•		•
---	--	---

Induction Comfort

- Round zones with different capacities and various sizes
- Red slider touch control operation
- Default cooking programs for easy use
- Surface and flush installation possible



1758









InTouch
Function for controlling the cooker hood from the hob.



Keep-warm function
Keep-warm function to keep food at a constant temperature.



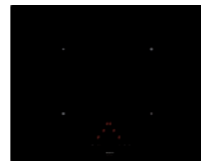
Outside dimensions (W×D) (cm)	Opening (W×D) (cm)	Number of zones	Cooking zones (mm)	InTouch	Max. output (W)	Ref.
65×52	56×49	3 	2× Ø200, Ø290	•	6400	1752
65×52	56×49	4 	2× Ø175, 2× Ø210		7400	1753
80×52	75×49	4 	2× Ø175, 2× Ø210		7400	1754
80×52	75×49	4 	2× Ø175, 2× Ø210	•	7400	1755
80×37	76×34	3 	Ø175, 2× Ø210	•	6700	1757
90×52	85×49	5 	3× Ø175, Ø210, Ø250	•	7400	1758



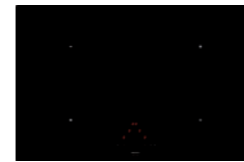
Technical specifications



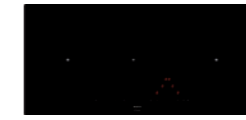
Induction Comfort 1752



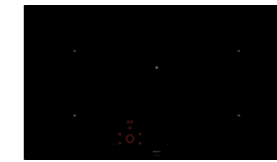
Induction Comfort 1753



Induction Comfort 1754 / 1755



Induction Comfort 1757



Induction Comfort 1758

Controls		
Type of controls	Touch control	Slider touch control
Colour or controls	Red	Red

Glass built-in / Finish		
Finish	Round border	Round border
Surface / Flush	• / •	• / •
Black opaque glass	•	•

Functions cooker hood		
InTouch function	•	•
Number of power levels	9 + Power	9 + Power
Residual heat indication	•	•
Timer on each zone	•	•
Independent cooking timer	•	•
Keep-warm function (°C)		70°
Safety lock hob	•	•
Stop & Go		•
Automatic boiling function		•

Cooking zones		
Number of cooking zones	3	4
Cooking zone 1	Front left	Front left
Dimensions (mm) / Power (Boost) (W)	200 / 1400 (2000)	210 / 2300 (3000)
Cooking zone 2	Rear left	Rear left
Dimensions (mm) / Power (Boost) (W)	200 / 1100 (1400)	175 / 1100 (1400)
Cooking zone 3	Right	Right front
Dimensions (mm) / Power (Boost) (W)	290 / 2300 (3000)	175 / 1100 (1400)
Cooking zone 4		Back right
Dimensions (mm) / Power (Boost) (W)		210 / 2300 (3000)
Cooking zone 5		
Dimensions (mm) / Power (Boost) (W)		



Dimensions (Installation details see p. 260-261)		
Dimensions (W×D×H) (mm)	650×520×52	650×520×52
Opening (B×D) (mm)	560×490	560×490
Weight (kg)	10.1	11

Technical details		
Total connected load (W)	6400	7400
Multiphase supply voltage	230 V / 400 V - 2N	230 V / 400 V - 2N
Single-phase supply voltage	230 V	230 V
Frequency (Hz)	50 - 60	50 - 60

Accessories		
Side profiles 1700.092	•	•

Slider touch control	Slider touch control	Slider touch control (round)
Red	Red	Red

Round border	Round border	Round border
• / •	• / •	• / •
•	•	•

• (only for 1755)	•	•
9 + Power	9 + Power	9 + Power
•	•	•
•	•	•
•	•	•
70°	70°	70°
•	•	•
•	•	•
•	•	•

4	3	5
Front left	Left	Front left
210 / 2300 (3000)	210 / 2300 (3000)	175 / 1400 (2000)
Rear left	Central	Rear left
175 / 1100 (1400)	175 / 1100 (1400)	175 / 1100 (1400)
Right front	Right	Central
175 / 1100 (1400)	210 / 2300 (3000)	250 / 2300 (3000)
Back right		Right front
210 / 2300 (3000)		175 / 1100 (1400)
		Back right
		210 / 2300 (3000)



800×520×52	800×370×52	900×520×52
750×490	760×340	850×490
12.6	10.9	16.8

7400	6700	7400
230 V / 400 V - 2N	230 V / 400 V - 2N	230 V / 400 V - 2N
230 V	230 V	230 V
50 - 60	50 - 60	50 - 60

•	•	•
---	---	---

Induction Domino's



- Create your own ideal setting
- Red slider or touch operation depending on the type of domino
- Rounded edge
- Surface and flush installation possible
- Optimal in combination with the venting hob Novy Up (see p. 72)



Type	Outside dimensions (W×D) (cm)	Number of zones	Cooking zones (mm)	Max. output (W)	Ref.
Induction 38 cm					
Induction Comfort	38×52	2	Ø175, Ø210	3700	3784
Induction Power	38×52	2	2× 240×200	3700	3774
Induction Pro	38×52	2	2× 240×200	3700	3762
Teppan yaki	38×52	2		2800	3753
Wok ⁽¹⁾	38×52	1		3200	3773
Induction 58 cm					
Teppan yaki	58×52	4		5600	3754
Fryer					
Fryer	29×52			2000	3711

(1) Demeyere wok Ø36 cm included as standard.



Technical specifications



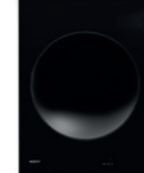
**Induction 38 cm
Teppan yaki
3753**



**Induction 58 cm
Teppan yaki
3754**



**Induction 38 cm
Pro
3762**



**Induction 38 cm
Wok
3773**



**Induction 38 cm
Power
3774**



**Induction 38 cm
Comfort
3784**



**Fryer
3711**

Controls			
Type of controls	Slider touch control	Slider touch control	Slider touch control
Colour of controls	Red	Red	Red

Glass built-in / Finish			
Finish	Round border	Round border	Round border
Surface / Flush	• / *	• / *	• / *
Black opaque glass			•

Functions			
Residual heat indication	•	•	•
Flex zones	• (x1)	• (x2)	• (x1)
Manual bridge function Flexzone	•	•	•
Timer on each zone	•	•	•
Independent cooking timer	•	•	•
Keep-warm function (°C)	120°, 150° and 180°	120°, 150° and 180°	42°, 70° and 94°
Safety lock hob	•	•	•
Stop & Go	•	•	•
Automatic boiling function			•

Cooking zones			
Number of cooking zones	2	4	2
Cooking zone 1	Front	Front left	Front
Dimensions (mm) / Power (Boost) (W)	1400	1400	240×200 / 2100 (3700)
Cooking zone 2	Back	Rear left	Back
Dimensions (mm) / Power (Boost) (W)	1400	1400	240×200 / 2100 (3700)
Cooking zone 3		Front right	
Dimensions (mm) / Power (Boost) (W)		1400	
Cooking zone 4		Back right	
Dimensions (mm) / Power (Boost) (W)		1400	



Dimensions (Installation details see p. 260-261)			
Dimensions (W×D×H) (mm)	380×520×54	580×520×54	380×520×47
Opening (B×D) (mm)	370×490	560×490	350×490
Weight (kg)	10,4	12,6	7
Content (l)			

Technical details			
Total connected load (W)	2800	5600	3700
Multiphase supply voltage		230 V / 400 V - 2N	
Single-phase supply voltage	230 V	230 V	230 V
Frequency (Hz)	50 - 60	50 - 60	50 - 60
Connection cable	•	•	•

Accessories			
Demeyere Wok (included)			
Profile Domino's 3730.020	Optional	Optional	Optional

Slider touch control	Touch control	Touch control	Rotating button
Red	Red	Red	

Round border	Round border	Round border	Round border
• / *	• / *	• / *	• / -
•	•	•	

•	•	•	
	• (x1)		
	•		
•	•	•	
•	•	•	
42°, 70° and 94°			
•	•	•	
•			

1	2	2	
Front	Front	Front	
360 (wok) / 2000 (3200)	240×200 / 1600 (1850)	175 / 1100 (1400)	
	Back	Back	
	240×200 / 2100 (3000)	210 / 2300 (3000)	

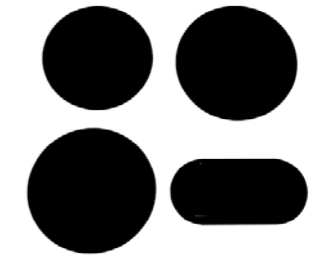


380×520×121	380×520×52	380×520×52	290×520×235
370×490	350×490	350×490	270×475
11,6	11,6	7	6,1
			4

3200	3700	3700	2000
230 V	230 V	230 V	230 V
50 - 60	50 - 60	50 - 60	50 - 60
•	•	•	•

Optional	Optional	Optional	
----------	----------	----------	--

Induction Multizone



- 3 or 4 loose cooking zones with a separate control zone to freely design into the worktop
- Extensive cooking functions
- Rounded borders
- Surface or flush mounting is possible
- Maximum power of 1,770 W for zones of 175 mm
- Maximum power of 3,100 W for zones of 210 mm

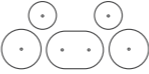
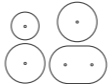


InTouch
Function for controlling the cooker hood from the hob.

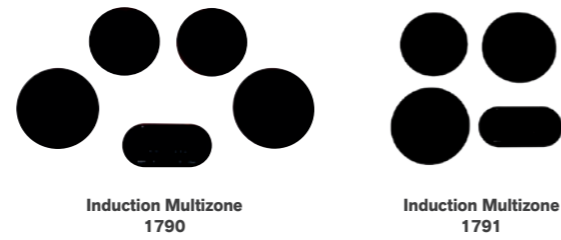


Keep-warm function
Keep-warm function to keep food at a constant temperature.



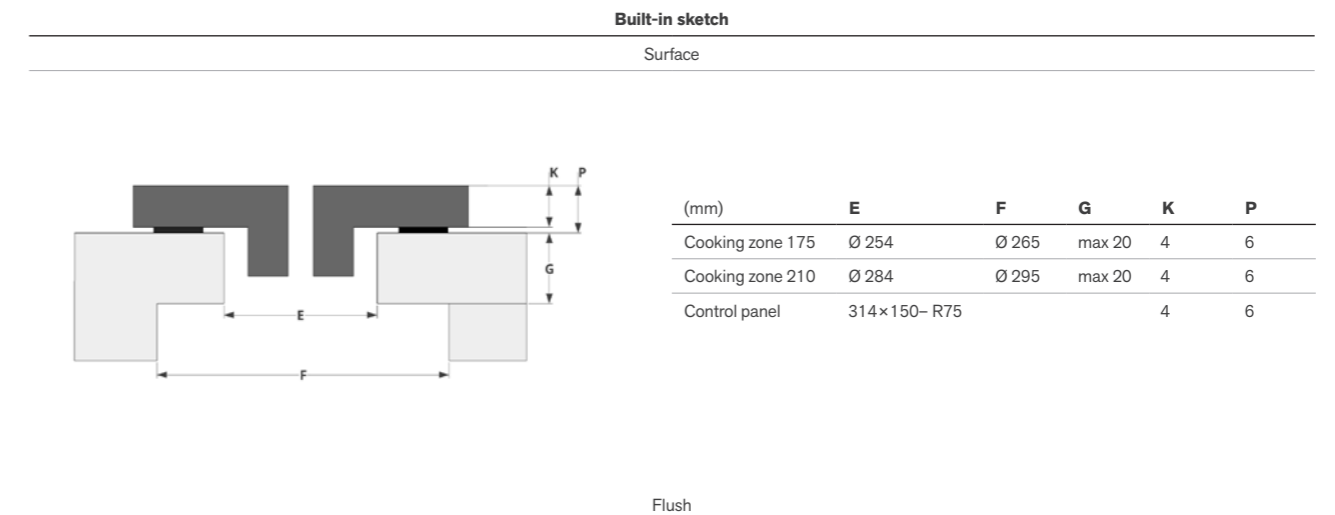
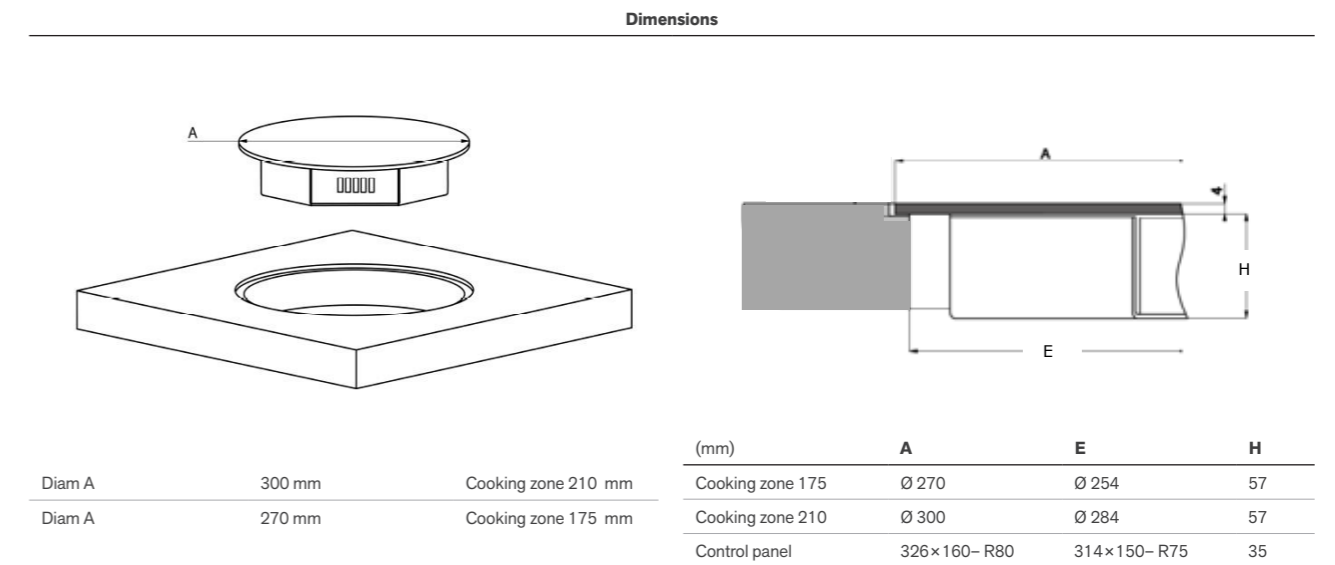
Number of zones	Cooking zones (mm)	InTouch	Max. output (W)	Ref.
4 	2x Ø175, 2x Ø210	•	7400	1790
3 	Ø175, 2x Ø210	•	6800	1791

Technical specifications



Controls		
Type of controls	Slider touch control	Slider touch control
Colour of controls	Red	Red
Glass built-in / Finish		
Finish	Round border	Round border
Surface / Flush	• / •	• / •
Black opaque glass	•	•
Functions cooker hood		
InTouch function	•	•
Residual heat indication	•	•
Timer on each zone	•	•
Independent cooking timer	•	•
Keep-warm function (°C)	70°	70°
Safety lock hob	•	•
Stop & Go	•	•
Cooking zones		
Number of cooking zones	4, zones to be positioned as required	3, zones to be positioned as required
Cooking zone 1	Left	Front left
Dimensions (mm) / Power (Boost) (W)	210 / 2300 (3100)	210 / 2300 (3100)
Cooking zone 2	Left central	Rear left
Dimensions (mm) / Power (Boost) (W)	175 / 1100 (1770)	175 / 1100 (1770)
Cooking zone 3	Right central	Back right
Dimensions (mm) / Power (Boost) (W)	175 / 1100 (1770)	210 / 2300 (3100)
Cooking zone 4	Right	
Dimensions (mm) / Power (Boost) (W)	210 / 2300 (3100)	
Dimensions		
Dimensions (W×D×H) (mm)	see p. 255	see p. 255
Opening (B×D) (mm)	see p. 255	see p. 255
Weight (kg)	14.5	12.4
Technical details		
Total connected load (W)	7400	6800
Multiphase supply voltage	230 V / 400 V - 2N	230 V / 400 V - 2N
Single-phase supply voltage	230 V	230 V
Frequency (Hz)	50 - 60	50 - 60

Technical drawing





Gas Pro

- Gas burners are directly integrated in your worktop (gas burners not compatible with wooden worktops)
- Robust, cast iron pot carriers in stylish and timeless look
- Visual control of the flame
- Sufficient space between the burners for large pots and pans
- Choice of various cooking setups





Model	Width (cm)	Number of zones	Max output (W)	Ref.
Altar Top black	30	1	3.000	56002
Azuma Top black	30	1	5.000	56004
Capital Top black	60	3	2.000, 3.000, 5.000	56006
Cusin Top black	90	3	3.000, 2× 5.000	56008
Dempo Top black	90	4	2.000, 3.000, 2× 5.000	56010
Danau Top black	120	4	2.000, 3.000, 2× 5.000	56012
Drum Top black	120	4	2.000, 3.000, 2× 5.000	56014
Eibrus Top black	90	5	2× 2.000, 2× 3.000, 5.000	56016

Do not use pans with a larger base diameter than the pan support. We recommend for the 2 and 3KW burners a pan with a maximum base diameter of 230 mm and for the 5KW burner a maximum base of 270 mm.

Video
Discover the stylish range
of powerful gas burners



-  ABOUT NOVY
-  COOKER HOOD GUIDELINES
-  VENTING HOODS
-  CEILING UNITS
-  BUILT-IN COOKER HOODS
-  TELESCOPIC COOKER HOODS
-  WALL-MOUNTED COOKER HOODS
-  ISLAND COOKER HOODS
-  COOKER HOOD ACCESSORIES
-  DESIGNER LIGHTING
-  INFO



Technische specificaties



Altar top 56002 / black **Azuma Top 56004 / black** **Capital Top 56006 / black** **Cusin Top 56008 / black**

Controls

Type of controls	Rotating button	Rotating button	Rotating button	Rotating button
------------------	-----------------	-----------------	-----------------	-----------------

Glass built-in / Finish

Built-in	•	•	•	•
Cast iron pan support	•	•	•	•
Colour	Black	Black	Black	Black

Functions

Automatic spark ignition	•	•	•	•
Flame protection	•	•	•	•

Cooking zones

Number of cooking zones	1	1	3	3
Cooking zone 1	Central	Central	Front left	Left
Power (W)	3000	5000	3000	5000
Cooking zone 2			Back left	Central
Power (W)			2000	3000
Cooking zone 3			Right	Right
Power (W)			5000	5000
Cooking zone 4				
Power (W)				
Cooking zone 5				
Power (W)				

Dimensions

Dimensions (W×D×H) (mm)	213×503×89	213×503×89	533×503×89	853×403×89
Opening (B×D) (mm)	Check technical file	Check technical file	Check technical file	Check technical file
Weight (kg)	5,5	7,5	18,5	20,5

Technical details

Total connected load	3000	5000	9800	13000
Supply voltage	230 V	230 V	230 V	230 V
Frequency	50	50	50	50
Connection cable	•	•	•	•

Accessories

Support bar / 56 199 (1 set included as standard)	•	•	•	•
Wok ring / 93 005 (1 included as standard)		•	•	•



Dempo Top 56010 / black **Danau Top 56012 / black** **Drum Top 56014 / black** **Elbrus Top 56016 / black**

Rotating button	Rotating button	Rotating button	Rotating button
-----------------	-----------------	-----------------	-----------------

•	•	•	•
Black	Black	Black	Black

•	•	•	•
•	•	•	•

4	4	4	5
Left	Left	Left	Front left
5000	5000	5000	3000
Central for	Center left	Center left	Back left
3000	3000	3000	2000
Center back	Center right	Center right	Central
2000	2000	2000	5000
Right	Right	Right	Front right
5000	5000	5000	3000
			Back right
			2000

853×503×89	1157×403×89	1157×503×89	853×503×89
Check technical file	Check technical file	Check technical file	Check technical file
25,5	25,5	25,5	29,5

14800	14800	14800	14600
230 V	230 V	230 V	230 V
50	50	50	50
•	•	•	•

•	•	•	•
•	•	•	•

Technical data worktop

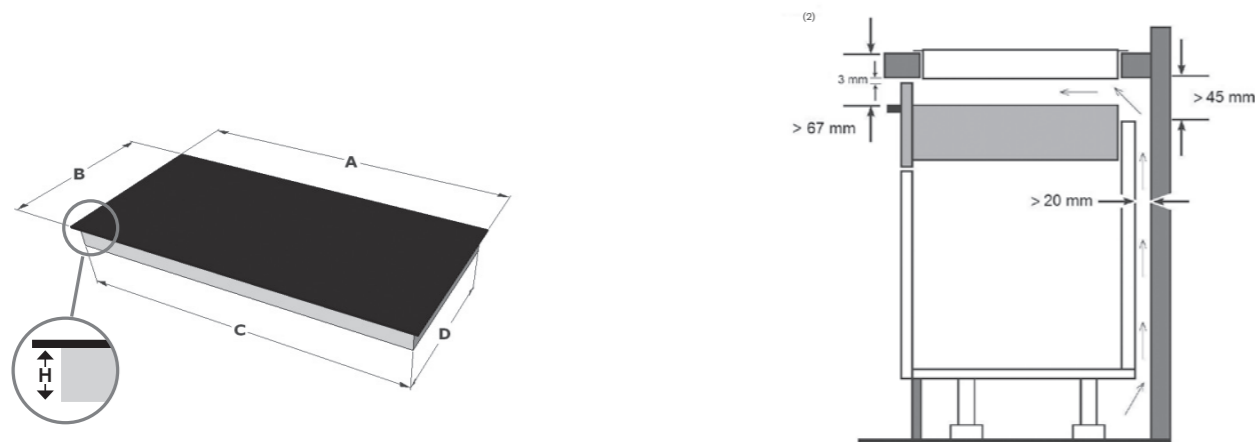
Worktop material	Min. thickness (mm)	Max. thickness (mm)
Stainless steel, glass	4	35
Ceramic materials	10	35
Quartz composite (e.g. Caesarstone, Diresco, Unistone), Mineral Hybriq Surfaces (e.g. Silestone)	12	35
Ultracompact surface (e.g. Dekton)	12	35
Natural stone (e.g. granite, marble)	30	35
Concrete, (massive) wood, laminate (HPL), solid surface	-	-

You will find detailed information on the installation and handling instructions on the Novy website. The worktop must be supported by all cabinet walls and rest fully on the cabinet structure. The guidelines of the kitchen manufacturer and/or the manufacturer of the kitchen worktop should always be strictly followed.

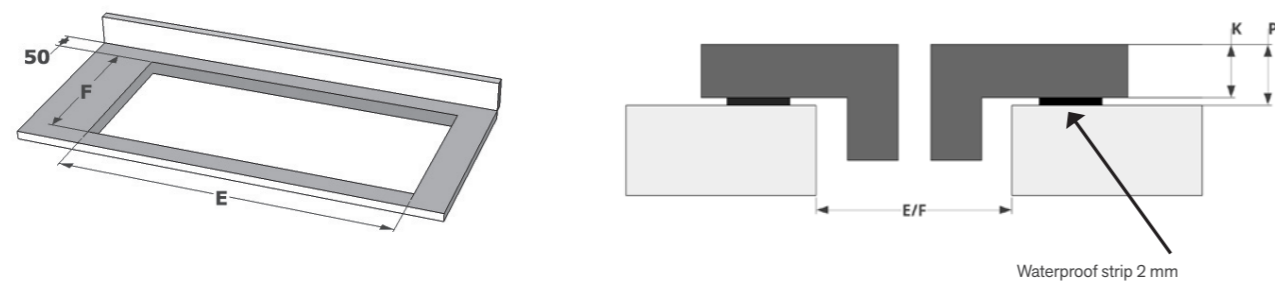


Installation of a Novy hob

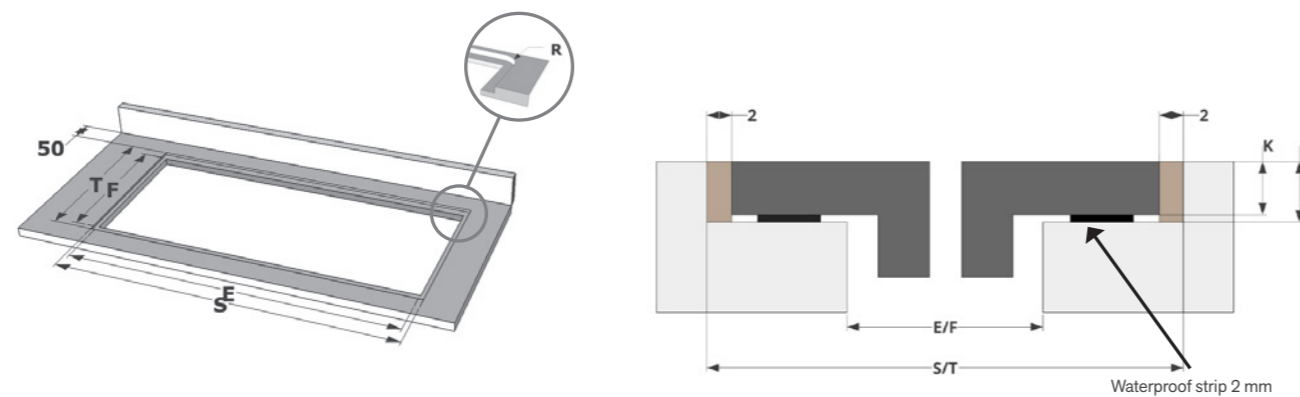
Dimensions



Surface installation



Flush installation



	A	B	E	F	H	R ⁽¹⁾	S	T	K	P
Induction Pro										
1773	650	520	560	490	47	7	654	524	4	6
1775	800	520	750	490	47	7	804	524	4	6
1776	800	520	750	490	47	7	804	524	4	6
1777	910	410	890	390	47	7	914	414	4	6
1778	900	520	850	490	47	7	904	524	4	6

	A	B	E	F	H	R ⁽¹⁾	S	T	K	P
Induction Power										
1724	800	520	750	490	47	7	804	524	4	6
1726	800	520	750	490	47	7	804	524	4	6
1763	650	520	560	490	47	7	654	524	4	6
1767	1000	400	980	380	47	7	1004	404	4	6
1768	900	520	850	490	47	7	904	524	4	6

	A	B	E	F	H	R ⁽¹⁾	S	T	K	P
Induction Comfort										
1752	650	520	560	490	52	7	654	524	4	6
1753	650	520	560	490	52	7	654	524	4	6
1754	800	520	750	490	52	7	804	524	4	6
1755	800	520	750	490	52	7	804	524	4	6
1757	800	370	760	340	52	7	804	374	4	6
1758	900	520	850	490	52	7	904	524	4	6

	A	B	E	F	H	R ⁽¹⁾	S	T	K	P
Induction Domino's										
3711	290	520	270	475	235	-	-	-	-	-
3753	380	520	370	490	54	7	384	524	6	8
3754	580	520	560	490	54	7	584	524	6	8
3762	380	520	350	490	47	7	384	524	4	6
3773	380	520	370	490	121	7	384	524	4	6
3774	380	520	350	490	52	7	384	524	4	6
3784	380	520	350	490	52	7	384	524	4	6

	A	B	E	F	H	R ⁽¹⁾	S	T	K	P
Gas Pro										
Check technical file										

	A	B	E	F	H	R ⁽¹⁾	S	T	K	P
Downdraft										
1821, 1831, 1841	880	520	860	500	65	7	884	524	4	6
1871, 1881	650	520	560	490	244	7	654	524	4	6
1851, 1861	800	520	750	490	225	7	804	524	4	6
1866	900	520	750	490	225	7	904	524	4	6
40000	491	520	486	500	224	7	495	524	5	7
40002	872	520	852	500	224	7	876	524	5	7
40004	872	520	852	500	224	7	876	524	5	7
40006	872	520	862	500	224	7	876	524	6	8
40008	872	520	862	500	224	7	876	524	5	7
40000 + 40002-8	1364	520	1354	500	224	7	1368	524	6	8
40002-8 + 40002-8	1745	520	1735	500	224	7	1749	524	6	8
42110, 42120	1180	520	1160	490	65	7	1184	524	4	6

(1) This is the standard radius finish. Contact your worktop supplier if you would prefer a smaller radius.

Designer lighting

Novy Pendant



Novy Wall



Novy Shelf



Novy Shelf Pro



Length	Novy Pendant	Novy Wall	Novy Shelf	Novy Shelf Pro
95 cm	▪	▪	▪	
125 cm	▪	▪	▪	▪
155 cm	▪	▪	▪	▪
185 cm	▪	▪	▪	▪
215 cm	▪	▪	▪	▪
245 cm	▪	▪	▪	▪
275 cm	▪	▪	▪	▪
305 cm	▪	▪	▪	▪
Colour				
Mineral White	▪	▪	▪	▪
Mineral Black	▪	▪	▪	▪
Operation				
Gesture Control	▪	▪	▪	
Gesture Control Pro				▪
Lighting				
Functional light	▪	▪	▪	▪
Ambient light	▪	▪	▪	▪

p. 264

p. 268

p. 272

p. 276




NOVY

PREMIUM
INNOVATION
PRODUCT

Novy Pendant

- Next-generation hanging lamp with gesture-controlled lighting
- Top and bottom lighting
- Easy to switch between functional light and ambient light
- Adjustable light intensity and colour temperature from 2,700 K to 4,000 K
- Option to set the ambient colour (RGBW)
- Available in Mineral Black and Mineral White

Novy Pendant / Designer lighting  264-265



Gesture Control
Lighting equipped with gesture control



Ambient light
Next to functional light, ambient light is also provided



	Length (mm)	Colour	Max output (W)	Ref.
Novy Pendant 95	937	Mineral White	36	710101-p3
Novy Pendant 125	1237	Mineral White	48	710201-p3
Novy Pendant 155	1537	Mineral White	60	710301-p3
Novy Pendant 185	1837	Mineral White	72	710401-p3
Novy Pendant 215	2137	Mineral White	84	710501-p3
Novy Pendant 245	2437	Mineral White	96	710601-p3
Novy Pendant 275	2737	Mineral White	108	710701-p3
Novy Pendant 305	3037	Mineral White	120	710801-p3
Novy Pendant 95	937	Mineral Black	36	710102-p3
Novy Pendant 125	1237	Mineral Black	48	710202-p3
Novy Pendant 155	1537	Mineral Black	60	710302-p3
Novy Pendant 185	1837	Mineral Black	72	710402-p3
Novy Pendant 215	2137	Mineral Black	84	710502-p3
Novy Pendant 245	2437	Mineral Black	96	710602-p3
Novy Pendant 275	2737	Mineral Black	108	710702-p3
Novy Pendant 305	3037	Mineral Black	120	710802-p3

Technical drawings, see p. 282

Video
Gesture Control



ABOUT
NOVY

COOKER
HOOD
GUIDELINES

VENTING
HOODS

CEILING
UNITS

BUILT-IN
COOKER
HOODS

TELESCOPIC
COOKER
HOODS

WALL-
MOUNTED
COOKER
HOODS

ISLAND
COOKER
HOODS

COOKER
HOOD
ACCESSORIES

HOBS

DESIGNER
LIGHTING

INFO

Technical specifications



	Novy Pendant 95 710101-p3 Mineral White 710102-p3 Mineral Black	Novy Pendant 125 710201-p3 Mineral White 710202-p3 Mineral Black	Novy Pendant 155 710301-p3 Mineral White 710302-p3 Mineral Black
Functions			
Controls	Gesture Control	Gesture Control	Gesture Control
Lighting			
Type of functional light	LED / dimmable	LED / dimmable	LED / dimmable
Gross luminous flux functional light (Lm)	3174	4232	5290
Colour functional light (K)	2.700 - 4.000	2.700 - 4.000	2.700 - 4.000
Colour rendering index (CRI)	≥95	≥95	≥95
Type of ambient light	LED / dimmable	LED / dimmable	LED / dimmable
Gross luminous flux ambient light (Lm)	648	972	1296
Colour ambient light	RGBW	RGBW	RGBW
Technical characteristics			
Colour	Mineral White (≈RAL 9016) / Mineral Black (≈RAL 9005)	Mineral White (≈RAL 9016) / Mineral Black (≈RAL 9005)	Mineral White (≈RAL 9016) / Mineral Black (≈RAL 9005)
Dimensions (L×W×H) (mm)	937×31×80	1237×31×80	1537×31×80
Weight (kg)	2	2,3	2,7
Power cord position	Left / right	Left / right	Left / right
Power cord length (m)	6	5,7	5,4
Length of suspension cables (m)	4,5	4,5	4,5
Mains voltage (V) / Elektrical connection value (W)	230 / 36	230 / 48	230 / 60

	Novy Pendant 185 710401-p3 Mineral White 710402-p3 Mineral Black	Novy Pendant 215 710501-p3 Mineral White 710502-p3 Mineral Black	Novy Pendant 245 710601-p3 Mineral White 710602-p3 Mineral Black	Novy Pendant 275 710701-p3 Mineral White 710702-p3 Mineral Black	Novy Pendant 305 710801-p3 Mineral White 710802-p3 Mineral Black
Controls	Gesture Control	Gesture Control	Gesture Control	Gesture Control	Gesture Control
Type of functional light	LED / dimmable	LED / dimmable	LED / dimmable	LED / dimmable	LED / dimmable
Gross luminous flux functional light (Lm)	6348	7406	8464	9522	10580
Colour functional light (K)	2.700 - 4.000	2.700 - 4.000	2.700 - 4.000	2.700 - 4.000	2.700 - 4.000
Colour rendering index (CRI)	≥95	≥95	≥95	≥95	≥95
Type of ambient light	LED / dimmable	LED / dimmable	LED / dimmable	LED / dimmable	LED / dimmable
Gross luminous flux ambient light (Lm)	1620	1944	2268	2592	2916
Colour ambient light	RGBW	RGBW	RGBW	RGBW	RGBW
Colour	Mineral White (≈RAL 9016) / Mineral Black (≈RAL 9005)	Mineral White (≈RAL 9016) / Mineral Black (≈RAL 9005)	Mineral White (≈RAL 9016) / Mineral Black (≈RAL 9005)	Mineral White (≈RAL 9016) / Mineral Black (≈RAL 9005)	Mineral White (≈RAL 9016) / Mineral Black (≈RAL 9005)
Dimensions (L×W×H) (mm)	1837×31×80	2137×31×80	2437×31×80	2737×31×80	3037×31×80
Weight (kg)	3,1	3,5	3,9	4,3	4,7
Power cord position	Left / right	Left / right	Left / right	Left / right	Left / right
Power cord length (m)	5,1	4,8	4,5	4,2	3,9
Length of suspension cables (m)	4,5	4,5	4,5	4,5	4,5
Mains voltage (V) / Elektrical connection value (W)	230 / 72	230 / 84	230 / 96	230 / 108	230 / 120



Novy Wall

- Designer wall lighting with Gesture Control
- Ideal lighting above a kitchen worktop
- Top and bottom lighting
- Easy to switch between functional light and ambient light
- Adjustable light intensity and colour temperature from 2,700 K to 4,000 K
- Option to set ambient colour
- Available in Mineral Black and Mineral White



Gesture Control
Lighting equipped with gesture control



Ambient light
Next to functional light, ambient light is also provided











	Length (mm)	Colour	Max output (W)	Ref.
Novy Wall 95	937	Mineral White	36	740101
Novy Wall 125	1237	Mineral White	48	740201
Novy Wall 155	1537	Mineral White	60	740301
Novy Wall 185	1837	Mineral White	72	740401
Novy Wall 215	2137	Mineral White	84	740501
Novy Wall 245	2437	Mineral White	96	740601
Novy Wall 275	2737	Mineral White	108	740701
Novy Wall 305	3037	Mineral White	120	740801
Novy Wall 95	937	Mineral Black	36	740102
Novy Wall 125	1237	Mineral Black	48	740202
Novy Wall 155	1537	Mineral Black	60	740302
Novy Wall 185	1837	Mineral Black	72	740402
Novy Wall 215	2137	Mineral Black	84	740502
Novy Wall 245	2437	Mineral Black	96	740602
Novy Wall 275	2737	Mineral Black	108	740702
Novy Wall 305	3037	Mineral Black	120	740802

Technical drawings, see p. 282

Video
Gesture Control



Technical specifications

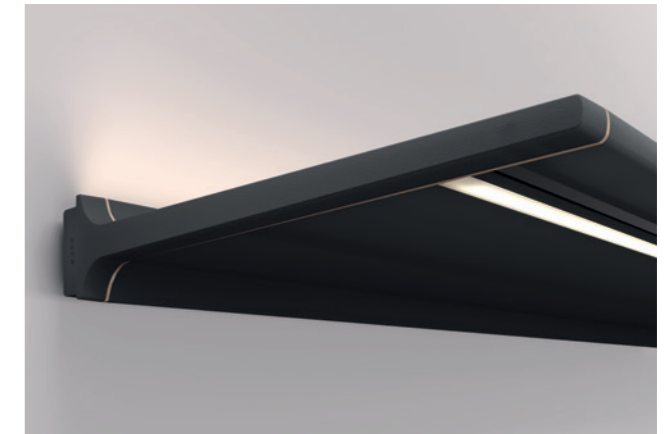
	 Novy Wall 95 740101 Mineral White 740102 Mineral Black	 Novy Wall 125 740201 Mineral White 740202 Mineral Black	 Novy Wall 155 740301 Mineral White 740302 Mineral Black	 Novy Wall 185 740401 Mineral White 740402 Mineral Black	 Novy Wall 215 740501 Mineral White 740502 Mineral Black	 Novy Wall 245 740601 Mineral White 740602 Mineral Black	 Novy Wall 275 740701 Mineral White 740702 Mineral Black	 Novy Wall 305 740801 Mineral White 740802 Mineral Black
Functions								
Controls	Gesture Control	Gesture Control	Gesture Control	Gesture Control	Gesture Control	Gesture Control	Gesture Control	Gesture Control
Lighting								
Type of functional light	LED / dimmable	LED / dimmable	LED / dimmable	LED / dimmable	LED / dimmable	LED / dimmable	LED / dimmable	LED / dimmable
Gross luminous flux functional light (Lm)	3174	4232	5290	6348	7406	8464	9522	10580
Colour functional light (K)	2.700 - 4.000	2.700 - 4.000	2.700 - 4.000	2.700 - 4.000	2.700 - 4.000	2.700 - 4.000	2.700 - 4.000	2.700 - 4.000
Colour rendering index (CRI)	≥95	≥95	≥95	≥95	≥95	≥95	≥95	≥95
Type of ambient light	LED / dimmable	LED / dimmable	LED / dimmable	LED / dimmable	LED / dimmable	LED / dimmable	LED / dimmable	LED / dimmable
Gross luminous flux ambient light (Lm)	972	1296	1620	1944	2268	2592	2916	3240
Colour ambient light	RGBW	RGBW	RGBW	RGBW	RGBW	RGBW	RGBW	RGBW
Technical characteristics								
Colour	Mineral White (≈RAL 9016) / Mineral Black (≈RAL 9005)	Mineral White (≈RAL 9016) / Mineral Black (≈RAL 9005)	Mineral White (≈RAL 9016) / Mineral Black (≈RAL 9005)	Mineral White (≈RAL 9016) / Mineral Black (≈RAL 9005)	Mineral White (≈RAL 9016) / Mineral Black (≈RAL 9005)	Mineral White (≈RAL 9016) / Mineral Black (≈RAL 9005)	Mineral White (≈RAL 9016) / Mineral Black (≈RAL 9005)	Mineral White (≈RAL 9016) / Mineral Black (≈RAL 9005)
Dimensions (L×W×H) (mm)	937×31×80	1237×31×80	1537×31×80	1837×31×80	2137×31×80	2437×31×80	2737×31×80	3037×31×80
Weight (kg)	1,8	2,1	2,5	2,8	3,2	3,5	3,9	4,2
Mains voltage (V) / Elektrical connection value (W)	230 / 36	230 / 48	230 / 60	230 / 72	230 / 84	230 / 96	230 / 108	230 / 120





Novy Shelf

- A stylish shelf with integrated gesture-controlled LED light
- Ideal in a kitchen without upper cabinets
- Top and bottom lighting
- Easy to switch between functional light and ambient light
- Adjustable light intensity and colour temperature from 2,700 K to 4,000 K
- Option to set ambient colour
- Available in Mineral Black and Mineral White



Gesture Control
Lighting equipped with gesture control



Ambient light
Next to functional light, ambient light is also provided











	Length (mm)	Colour	Max output (W)	Ref.
Novy Shelf 95	937	Mineral White	36	720101
Novy Shelf 125	1237	Mineral White	48	720201
Novy Shelf 155	1537	Mineral White	60	720301
Novy Shelf 185	1837	Mineral White	72	720401
Novy Shelf 215	2137	Mineral White	84	720501
Novy Shelf 245	2437	Mineral White	96	720601
Novy Shelf 275	2737	Mineral White	108	720701
Novy Shelf 305	3037	Mineral White	120	720801
Novy Shelf 95	937	Mineral Black	36	720102
Novy Shelf 125	1237	Mineral Black	48	720202
Novy Shelf 155	1537	Mineral Black	60	720302
Novy Shelf 185	1837	Mineral Black	72	720402
Novy Shelf 215	2137	Mineral Black	84	720502
Novy Shelf 245	2437	Mineral Black	96	720602
Novy Shelf 275	2737	Mineral Black	108	720702
Novy Shelf 305	3037	Mineral Black	120	720802

Technical drawings, see p. 283

Video
Gesture Control



Technical specifications

	 Novy Shelf 95 720101 Mineral White 720102 Mineral Black	 Novy Shelf 125 720201 Mineral White 720202 Mineral Black	 Novy Shelf 155 720301 Mineral White 720302 Mineral Black	 Novy Shelf 185 720401 Mineral White 720402 Mineral Black	 Novy Shelf 215 720501 Mineral White 720502 Mineral Black	 Novy Shelf 245 720601 Mineral White 720602 Mineral Black	 Novy Shelf 275 720701 Mineral White 720702 Mineral Black	 Novy Shelf 305 720801 Mineral White 720802 Mineral Black
Functions								
Controls	Gesture Control	Gesture Control	Gesture Control	Gesture Control	Gesture Control	Gesture Control	Gesture Control	Gesture Control
Lighting								
Type of functional light	LED / dimmable	LED / dimmable	LED / dimmable	LED / dimmable	LED / dimmable	LED / dimmable	LED / dimmable	LED / dimmable
Gross luminous flux functional light (Lm)	3174	4232	5290	6348	7406	8464	9522	10580
Colour functional light (K)	2.700 - 4.000	2.700 - 4.000	2.700 - 4.000	2.700 - 4.000	2.700 - 4.000	2.700 - 4.000	2.700 - 4.000	2.700 - 4.000
Colour rendering index (CRI)	≥95	≥95	≥95	≥95	≥95	≥95	≥95	≥95
Type of ambient light	LED / dimmable	LED / dimmable	LED / dimmable	LED / dimmable	LED / dimmable	LED / dimmable	LED / dimmable	LED / dimmable
Gross luminous flux ambient light (Lm)	972	1296	1620	1944	2268	2592	2916	3240
Colour ambient light	RGBW	RGBW	RGBW	RGBW	RGBW	RGBW	RGBW	RGBW
Technical characteristics								
Colour	Mineral White (≈RAL 9016) / Mineral Black (≈RAL 9005)	Mineral White (≈RAL 9016) / Mineral Black (≈RAL 9005)	Mineral White (≈RAL 9016) / Mineral Black (≈RAL 9005)	Mineral White (≈RAL 9016) / Mineral Black (≈RAL 9005)	Mineral White (≈RAL 9016) / Mineral Black (≈RAL 9005)	Mineral White (≈RAL 9016) / Mineral Black (≈RAL 9005)	Mineral White (≈RAL 9016) / Mineral Black (≈RAL 9005)	Mineral White (≈RAL 9016) / Mineral Black (≈RAL 9005)
Dimensions (L×W×H) (mm)	937×320×65	1237×320×65	1537×320×65	1837×320×65	2137×320×65	2437×320×65	2737×320×65	3037×320×65
Weight (kg)	5,1	7,8	9,3	11,1	12,8	14,6	16,3	18
Maximum load capacity* (kg)	27	36	45	54	63	72	81	90
Mains voltage (V) / Elektrical connection value (W)	230 / 36	230 / 48	230 / 60	230 / 72	230 / 84	230 / 96	230 / 108	230 / 120

* Depending on load-bearing wall and fixing material used



red dot winner 2023




NOVY

PREMIUM
INNOVATION
PRODUCT


Novy Shelf Pro

- The Novy Shelf Pro allows to adjust the width of the light beam over its full length
- A stylish shelf with integrated gesture-controlled (Pro) LED light
- Ideal in a kitchen without upper cabinets
- Top and bottom lighting
- Easy to swith between functional light and ambient light
- Adjustable light intensity and colour temperature from 2,700 K to 4,000 K
- Option to set ambient colour
- Available in Mineral Black and Mineral White

Novy Shelf Pro / Designer lighting  276-277



 **Gesture Control Pro**
Extension to Gesture Control to adjust beam width

 **Ambient light**
Next to functional light, ambient light is also provided










	Length (mm)	Colour	Max output (W)	Ref.
Novy Shelf Pro 125	1237	Mineral White	65	730201
Novy Shelf Pro 155	1537	Mineral White	65	730301
Novy Shelf Pro 185	1837	Mineral White	77	730401
Novy Shelf Pro 215	2137	Mineral White	90	730501
Novy Shelf Pro 245	2437	Mineral White	104	730601
Novy Shelf Pro 275	2737	Mineral White	115	730701
Novy Shelf Pro 305	3037	Mineral White	128	730801
Novy Shelf Pro 125	1237	Mineral Black	65	730202
Novy Shelf Pro 155	1537	Mineral Black	65	730302
Novy Shelf Pro 185	1837	Mineral Black	77	730402
Novy Shelf Pro 215	2137	Mineral Black	90	730502
Novy Shelf Pro 245	2437	Mineral Black	104	730602
Novy Shelf Pro 275	2737	Mineral Black	115	730702
Novy Shelf Pro 305	3037	Mineral Black	128	730802

Technical drawings, see p. 283

Video
Gesture Control Pro



Technical specifications

	 Novy Shelf Pro 125 730201 Mineral White 730202 Mineral Black	 Novy Shelf Pro 155 730301 Mineral White 730302 Mineral Black	 Novy Shelf Pro 185 730401 Mineral White 730402 Mineral Black	 Novy Shelf Pro 215 730501 Mineral White 730502 Mineral Black	 Novy Shelf Pro 245 730601 Mineral White 730602 Mineral Black	 Novy Shelf Pro 275 730701 Mineral White 730702 Mineral Black	 Novy Shelf Pro 305 730801 Mineral White 730802 Mineral Black
Functions							
Controls	Gesture Control Pro		Gesture Control Pro				
Lighting							
Type of functional light	LED / dimmable		LED / dimmable				
Gross luminous flux functional light (Lm)	4232		6348				
Colour functional light (K)	2.700 - 4.000		2.700 - 4.000				
Colour rendering index (CRI)	≥95		≥95				
Type of ambient light	LED / dimmable		LED / dimmable				
Gross luminous flux ambient light (Lm)	1296		1944				
Colour ambient light	RGBW		RGBW				
Technical characteristics							
Colour	Mineral White (≈RAL 9016) / Mineral Black (≈RAL 9005)		Mineral White (≈RAL 9016) / Mineral Black (≈RAL 9005)				
Dimensions (L×W×H) (mm)	1237×320×65		1837×320×65				
Weight (kg)	7,8		11,1				
Maximum load capacity* (kg)	36		54				
Mains voltage (V) / Elektrical connection value (W)	230 / 65		230 / 77				

* Depending on load-bearing wall and fixing material used



Novy Pendant 305 - Novy Panorama 90

Novy Shelf 275

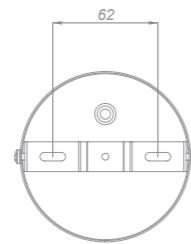
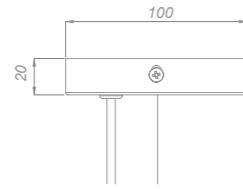
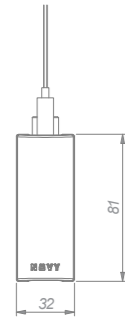
Technical drawings

Novy Pendant

710101-p3 / 710201-p3 / 710301-p3 / 710401-p3 / 710501-p3 / 710601-p3 / 710701-p3 / 710801-p3
710102-p3 / 710202-p3 / 710302-p3 / 710402-p3 / 710502-p3 / 710602-p3 / 710702-p3 / 710802-p3



Pendant	Lmin	Lmax
95	300	650
125	600	950
155	600	1250
185	900	1550
215	900	1850
245	1200	2150
275	1200	2450
305	1500	2750

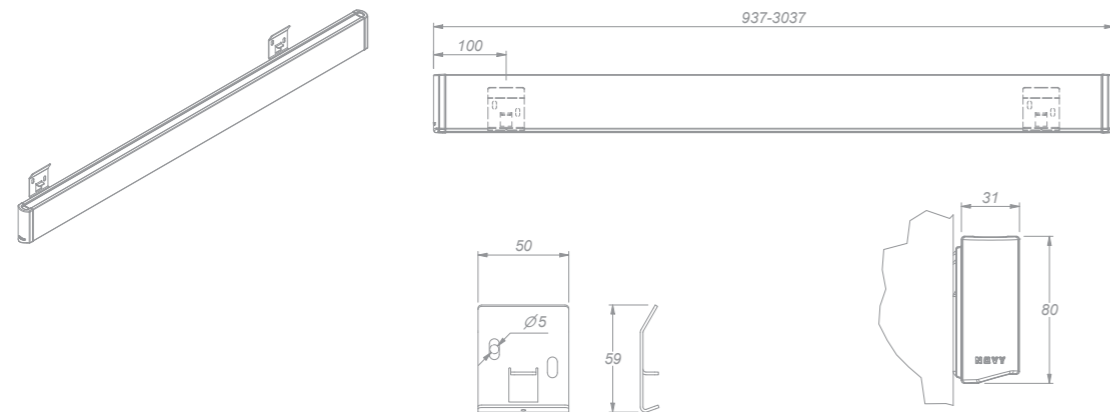


Video
Installation video



Novy Wall

740101 / 740201 / 740301 / 740401 / 740501 / 740601 / 740701 / 740801
740102 / 740202 / 740302 / 740402 / 740502 / 740602 / 740702 / 740802



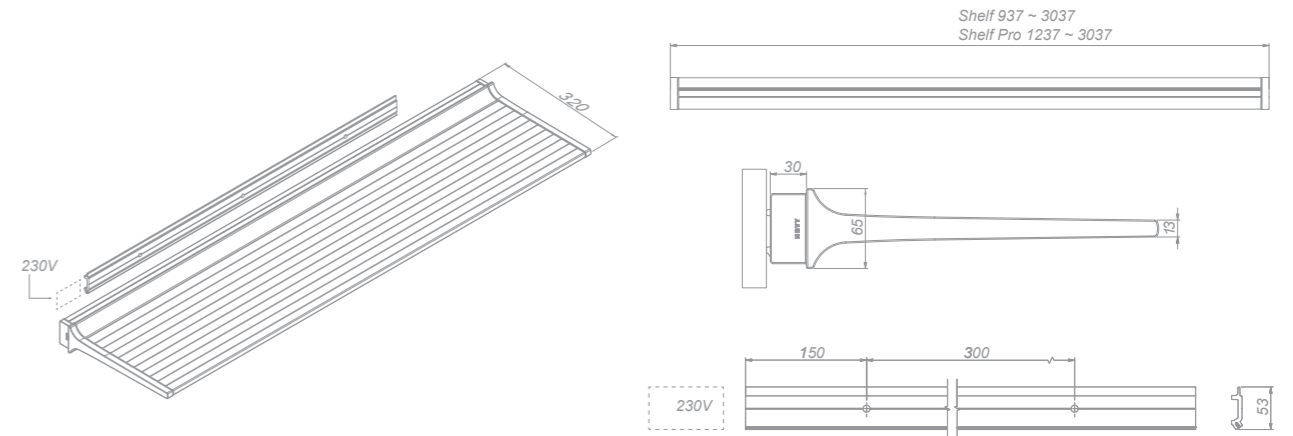
Video
Installation video



Technical drawings

Novy Shelf / Novy Shelf Pro

720101 / 720201 / 720301 / 720401 / 720501 / 720601 / 720701 / 720801
720102 / 720202 / 720302 / 720402 / 720502 / 720602 / 720702 / 720802
730201 / 730301 / 730401 / 730501 / 730601 / 730701 / 730801
730202 / 730302 / 730402 / 730502 / 730602 / 730702 / 730802



Video
Installation video





Info

Premium Innovation Products	p. 286
Cooker hoods	p. 288
Hobs	p. 289
Lighting	p. 291



Premium Innovation Products

Novy's dedication to innovation has led to a new generation of products. Technologically sophisticated, they set the tone in relation to aesthetics, ease of use, simplicity and, of course, silence.



















Due to their innovative and progressive features, these products are known as Novy Premium Innovation Products. This catalogue presents: Novy Panorama, Easy, Cloud, Pureline Pro (Compact), Fusion Pro, Phantom, Pureline Frame, Mood, Gas Pro, induction hobs 1775 and 1768 and Novy Pendant, Wall, Shelf and Shelf Pro. You can recognise these products from the **Premium Innovation logo**.







Novy Premium Partners

To support these products, Novy has decided to collaborate with **a selection of partners**. They receive extensive training and can offer you the expertise and advice you need to make the right choices. This is how Novy and its Premium Partners guarantee maximum comfort for your dream kitchen.





Cooker hood icons






	Ecosmart Extra quiet, super-efficient, longlasting and energy friendly products.		Design filter A filter with a modern and elegant design.
	Cooker hoods with a motor (direct extraction) The most common model is a cooker hood with an exhaust to the outside.		Perimeter extraction Placing a base plate under the cooker hood concentrates the extraction around the edges. This small gap speeds up the extraction. The smaller the area, the faster the airflow. This acceleration enhances the efficiency of the extraction system.
	Remote control These models come with a remote control, the other cooker hoods can also be fitted with them, by ordering an extra kit.		
	InTouch InTouch allows you to control your Novy cooker hood from your Novy induction hob.		Click&Fix A simple construction using a click system whereby the cooker hood can be clicked into place, after which only 4 screws need to be tightened.
	Installation height The installation height is the distance between the hob and the cooker hood. This height is extremely important for the optimum operation of the cooker hood. The advised installation heights are shown for each model.		Cubic Motor A square motor housing which can be installed remotely. The housing can be turned in any direction so that the exhaust direction can be chosen depending on the situation. This motor is designed for inside use.
	Tower exhaust system Optimal extraction at the height of the pots.		Recirculation Sometimes a cooker hood with an external exhaust isn't possible for technical reasons or isn't permitted. A recirculation cooker hood is one which returns the filtered cooking fumes back into the room. The grease in the fumes is filtered by the grease filter and the odours are absorbed by a filter with activated carbon (a monoblock filter). Damp air is not eliminated in the filter, but can be removed by the room's ventilation system. Most cooker hoods can be fitted with a recirculation accessory.
	Tower exhaust system Optimal extraction at the height of the pots, extraction on both sides of the tower.		
	Integrated extraction Powerful extraction by intergrated cooker hood.		
	Automatic speed control The Novy Sense sensor provides automatic speed control when cooking fumes and odour are detected.		
	Novy Connect Thanks to the Novy Connect App you can control your Novy device via your smartphone or tablet. With the Novy Connect App you can not only record your preferences, but also consult information and indication for the maintenance of your grease and/or carbon filter.		Ambient light In addition to the functional light that is provided on all cooker hoods (with the exception of Maxi Pureline and Pureline without lighting), extra ambient light is also provided on the following models: Mood, Cloud, Phantom, Pureline Pro (Compact). This light is dimmable and the colour temperature can be adjusted to the atmosphere you desire (with the exception of Phantom).

Hob icons

	Chef function  The cream of the crop is the Chef function, allowing you to link the Bridge zones automatically at the push of a button. The right-hand zone in setting 9 is for intensive cooking or baking. The centre zone in setting 6 is for simmering and the left-hand zone in setting 4 is to keep dishes warm.		Grill function  When using this function the Flexzone function is automatically activated to create a larger cooking surface. This function allows you to grill in the most ideal conditions. See Induction Pro and Power.
	Power and Super Power  Each zone has its own Power function, which boosts power considerably. This function is ideal for f.e. boiling large quantities of water.		Pot Move function  By engaging the Pot Move function in the Pro range, you can move pots and pans to another zone, while the settings are automatically maintained.
	Keep warm function  The keep warm function makes it very easy to maintain a constant temperature of 70°C (or 94°C on specific models).		Timer and independent cooking timer  Each zone has a separate timer and the hob is also fitted with an independent cooking timer.
	Stop & Go  Stop & Go can make sure that the power supply can be temporarily switched off. If you touch this control within 10 minutes, all the previously set levels are reinstated.		Count-up timer In the Pro range, each zone has a separate count-up timer which starts counting when a zone is switched on. It serves as an additional reminder whenever you choose not to set a timer yourself.
	Flexzone  The bridge function allows you to link two adjoining zones so that you can control them in one movement. Very handy for large pots and pans.		Automatic boiling function The contents of the pan are first brought to the boil for a set time and then the cooking process continues at a set lower level.

Lighting

<p>Black opaque glass The glass lets no light pass through, which results in an even black cooking surface without being able to see inside the device.</p>	<p>Wipe Guard Lock your controls with Wipe Guard, so that the hob can be cleaned easily.</p>
<p>Touch Control All induction hobs are simple and discreet to operate. Most of the hobs have a combination of Touch Control and slider control.</p>	<p>Slider control With the slider control you only need to slide your finger over the control to achieve the desired level. The level can also be directly selected.</p>
<p> Cooking zone layout Cooking zone layout, zones of different power and sizes.</p>	<p> Safe When the pan is removed only the contact heat of the pan remains. The residual heat cools down very quickly. If a zone is accidentally turned on but there is no pan on the zone, nothing happens. The hob is also equipped with additional safety features:</p> <ul style="list-style-type: none"> - residual heat indicator - overheating safety - boil over safety - safety shut-off (when the device is left on for a long time) - child lock
<p> Cooking zone layout Cooking zone layout, where there are 2 octagonal zones on the left side for more flexibility and 2 powerfull round</p>	
<p> Cooking zone layout Cooking zone layout, with octagonal zones for maximum flexibility and cooking area.</p>	

<p> Gesture Control</p> <p> Our lights with Gesture Control (GC) are fitted with a single sensor. The location of the sensor is indicated with an icon in the centre of the fitting. You can switch the light on and off, dim it or adjust the atmosphere by changing the direction of the light (upwards or downwards) using a simple gesture under the sensor. You can also change the colour when the light is in ambient mode.</p>	<p> Ambient light</p> <p>In addition to the functional light, extra ambient light is also provided. This ambient light is dimmable and the colour temperature can be adjusted to the atmosphere you desire.</p>
<p> Gesture Control Pro</p> <p> The light objects equipped with Gesture Control Pro have smart sensors fitted along the length of the Shelf to enable you to alter the width and position of the light beam in addition to all of the features of the standard Gesture Control (GC). What if you don't want the light to shine along the entire length of the lamp but only where you are drinking your wine, working or reading your newspaper? Simply drag the light beam with your hand to where you want it.</p>	



Novy nv
Noordlaan 6
8520 Kuurne
Belgium
novy@novy.com
www.novy.com

Warranty terms and conditions
www.novy.com

Footnotes
Characteristics of the products on condition
of changes or printing errors. All colors in this
catalogue can only be represent approximately.
The copy is not binding.



